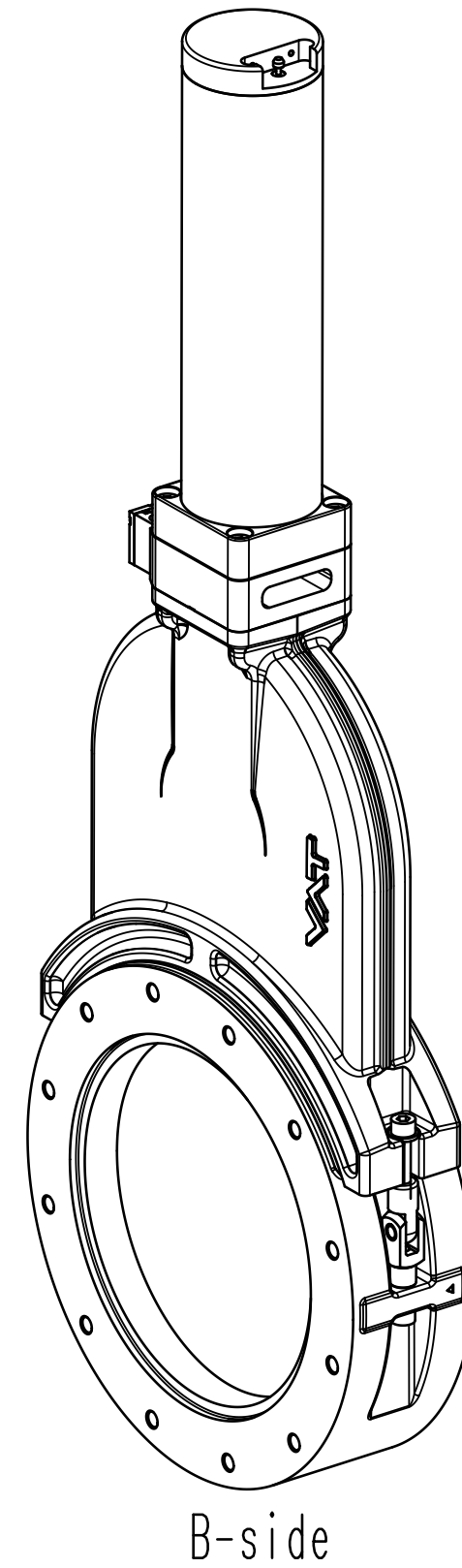
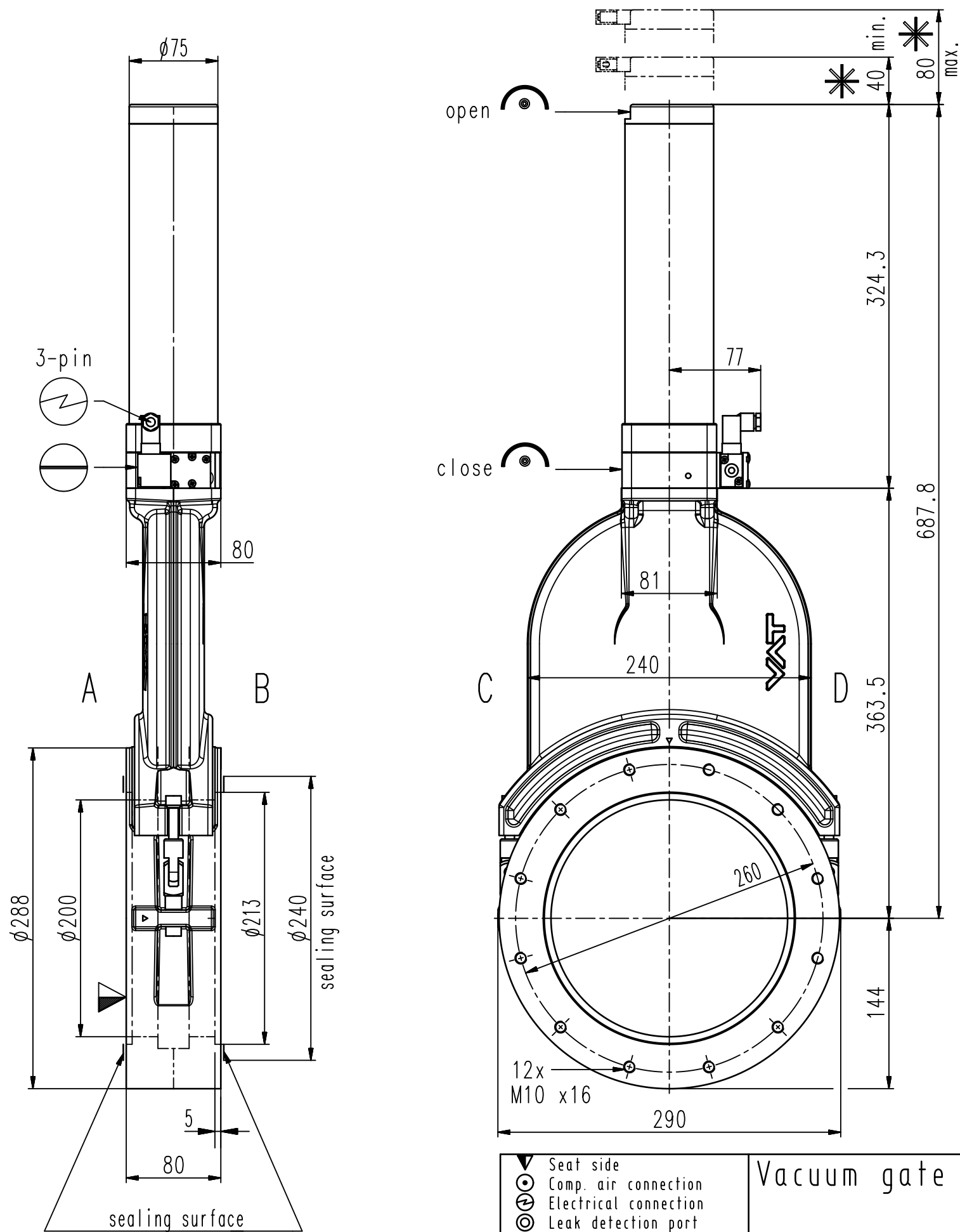


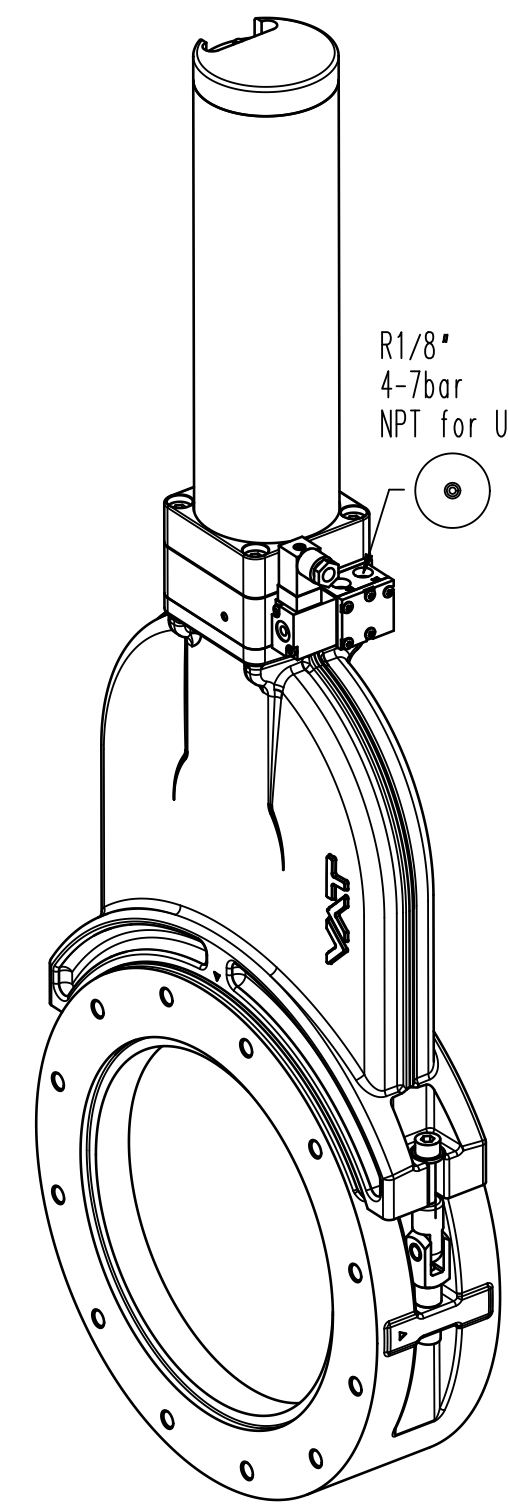
This drawing is the property of VAT.

Revision

Customer number



B-side



A-(seat)side

R1/8"
4-7bar
NPT for USA

- ▼ Seat side
- ⊙ Comp. air connection
- ⊙ Electrical connection
- ⊙ Leak detection port
- ⊙ Mech. pos. indication
- ⊙ Position indicator
- ⊙ Required for dismantling
- ⊙ Emergency actuation
- ⊙ For attachment
- ⊙ Bake-out area
- ⊙ Differential pumping port

Vacuum gate valve



VAT Vakuumentile AG
CH-9469 Haag, Switzerland
Tel ++41 81 7716161 Fax ++41 81 7714830

Date: 11.11.11
Name: HUC

Series	121	Ordering No.	12146-PA34-0001
Projection E	DN	Flange	
	200	ISO-F	
Dimensional Drawing	233617	Rev.	A