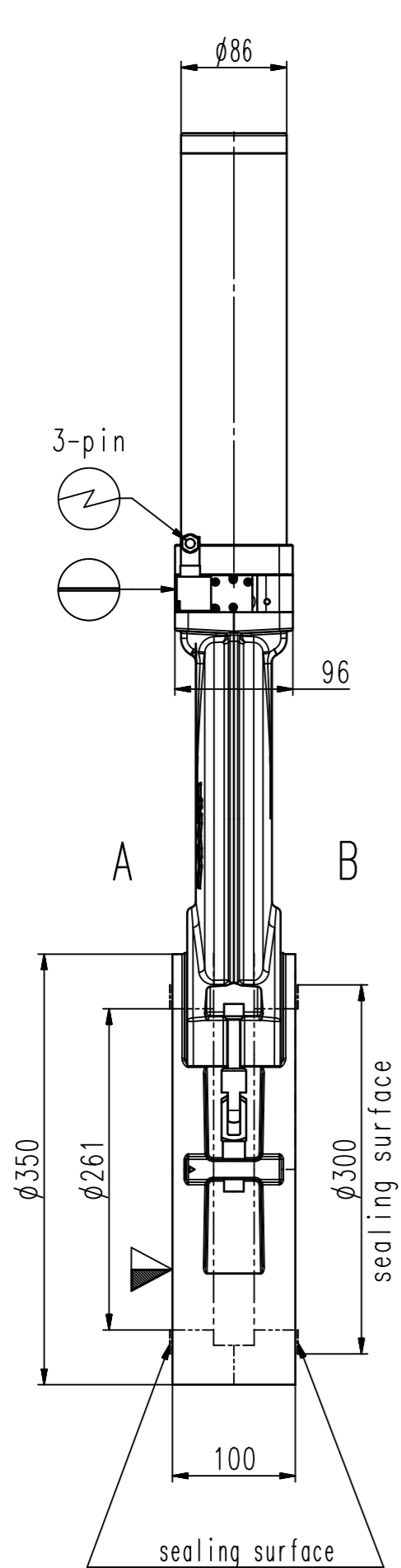


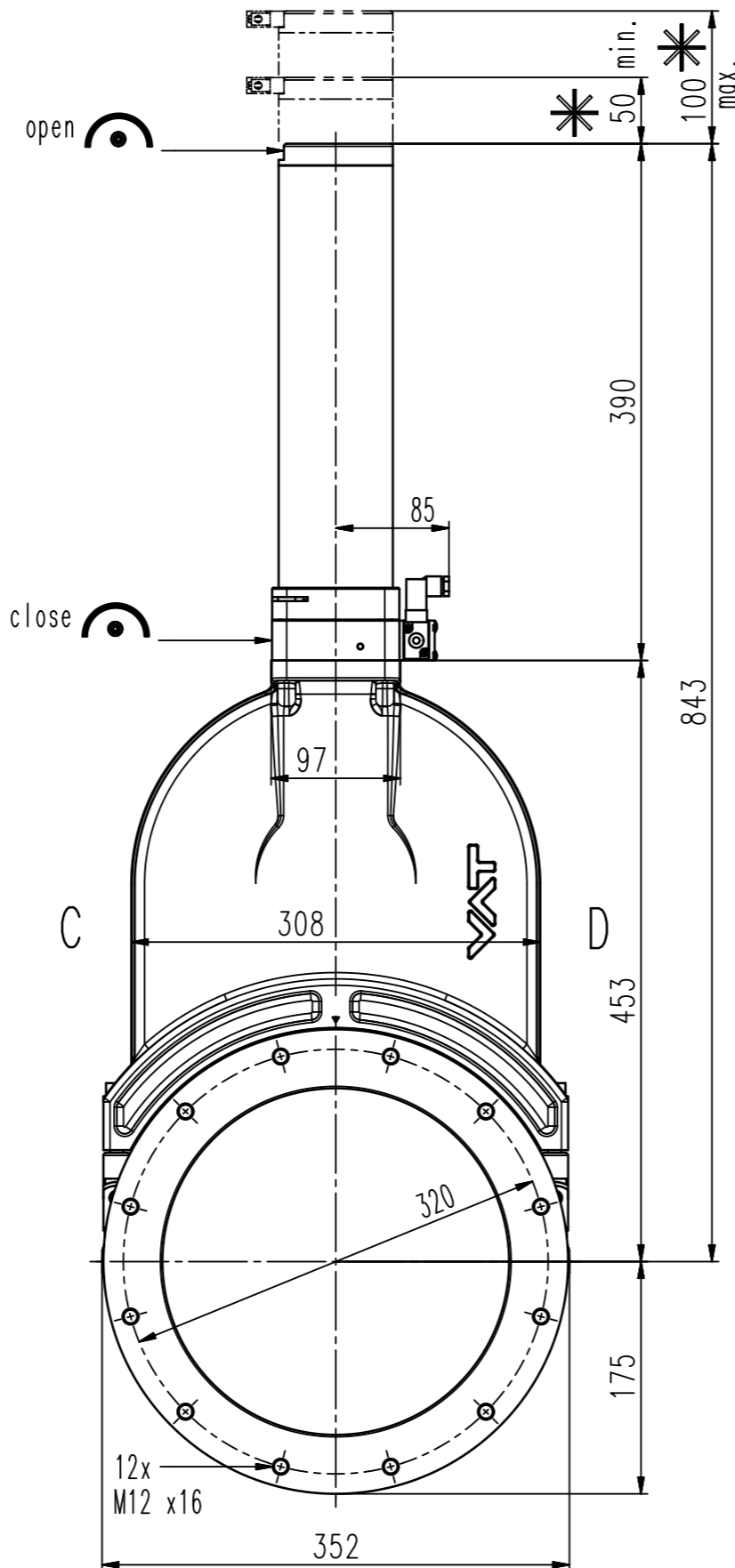
This drawing is the property of VAT.

Revision

Customer number



D-side



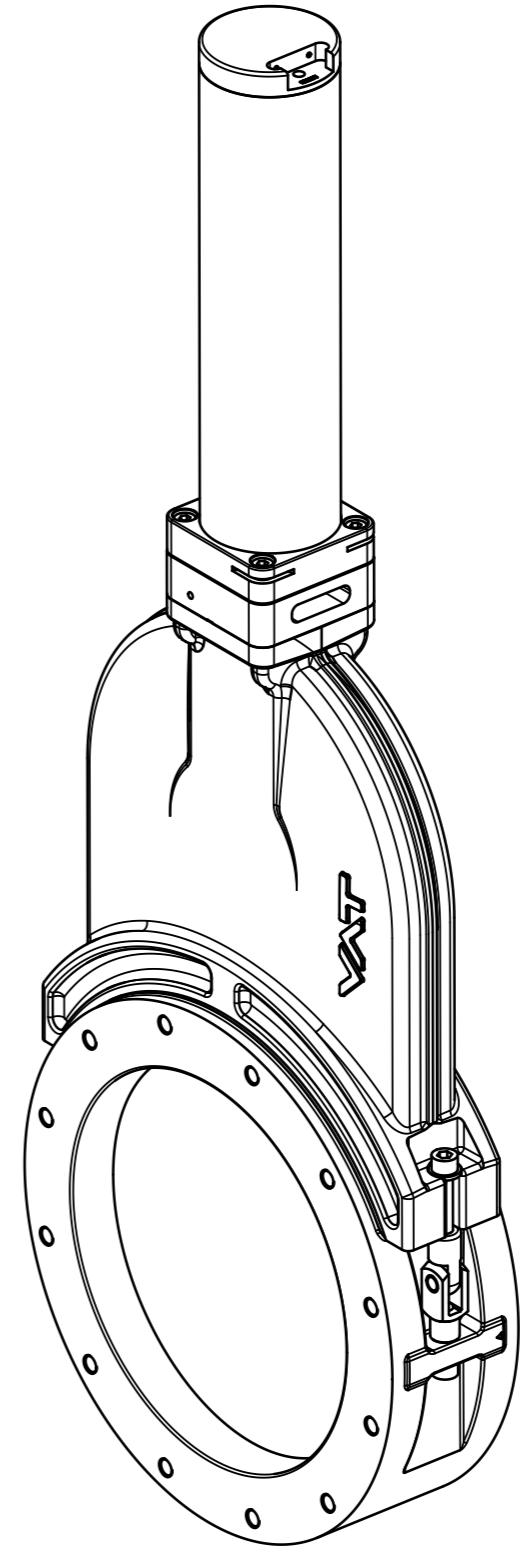
- ▼ Seat side
- ⊙ Comp. air connection
- ⊙ Electrical connection
- ⊙ Leak detection port
- ⊙ Mech. pos. indication
- ⊙ Position indicator
- ⊙ Required for dismantling
- ⊙ Emergency actuation
- ⊙ For attachment
- ⊙ Bake-out area
- ⊙ Differential pumping port

Vacuum gate valve

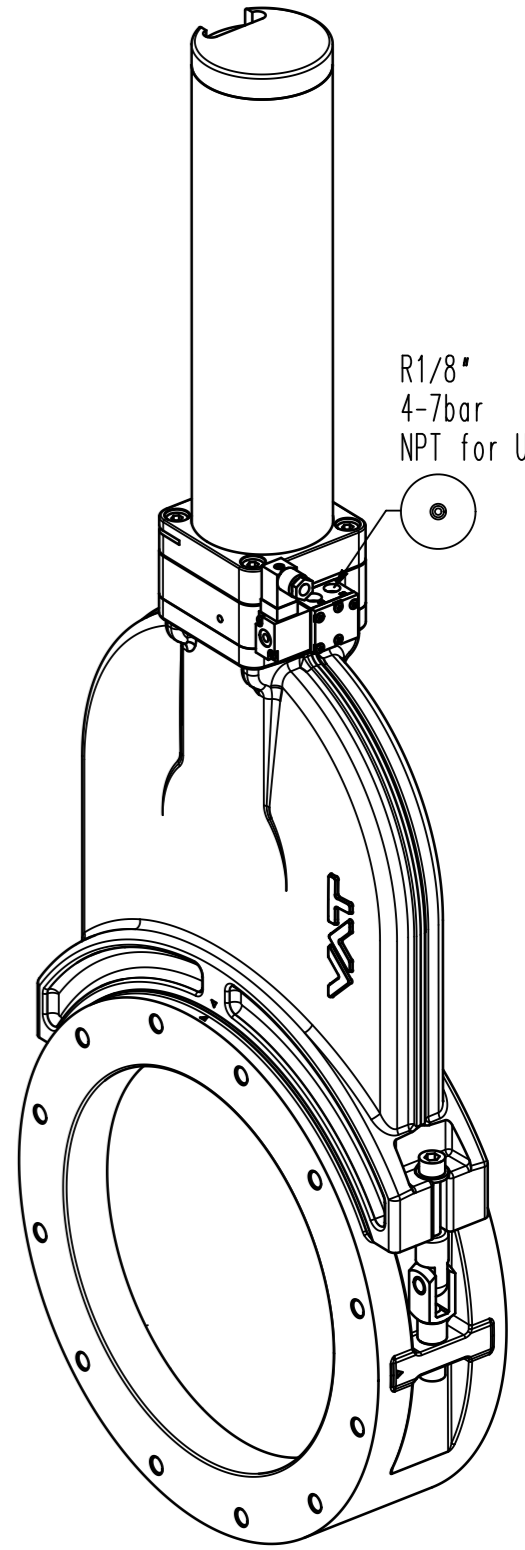


VAT Vakuumentile AG
 CH-9469 Haag, Switzerland
 Tel ++41 81 7716161 Fax ++41 81 7714830

Date: 11.11.11
 Name: HUC



B-side



A-(seat)side

R1/8"
 4-7bar
 NPT for USA

Series	121	Ordering No.	12148-JA34-0001
Projection E	DN	Flange	JIS
	250		
Dimensional Drawing	233639	Rev.	A