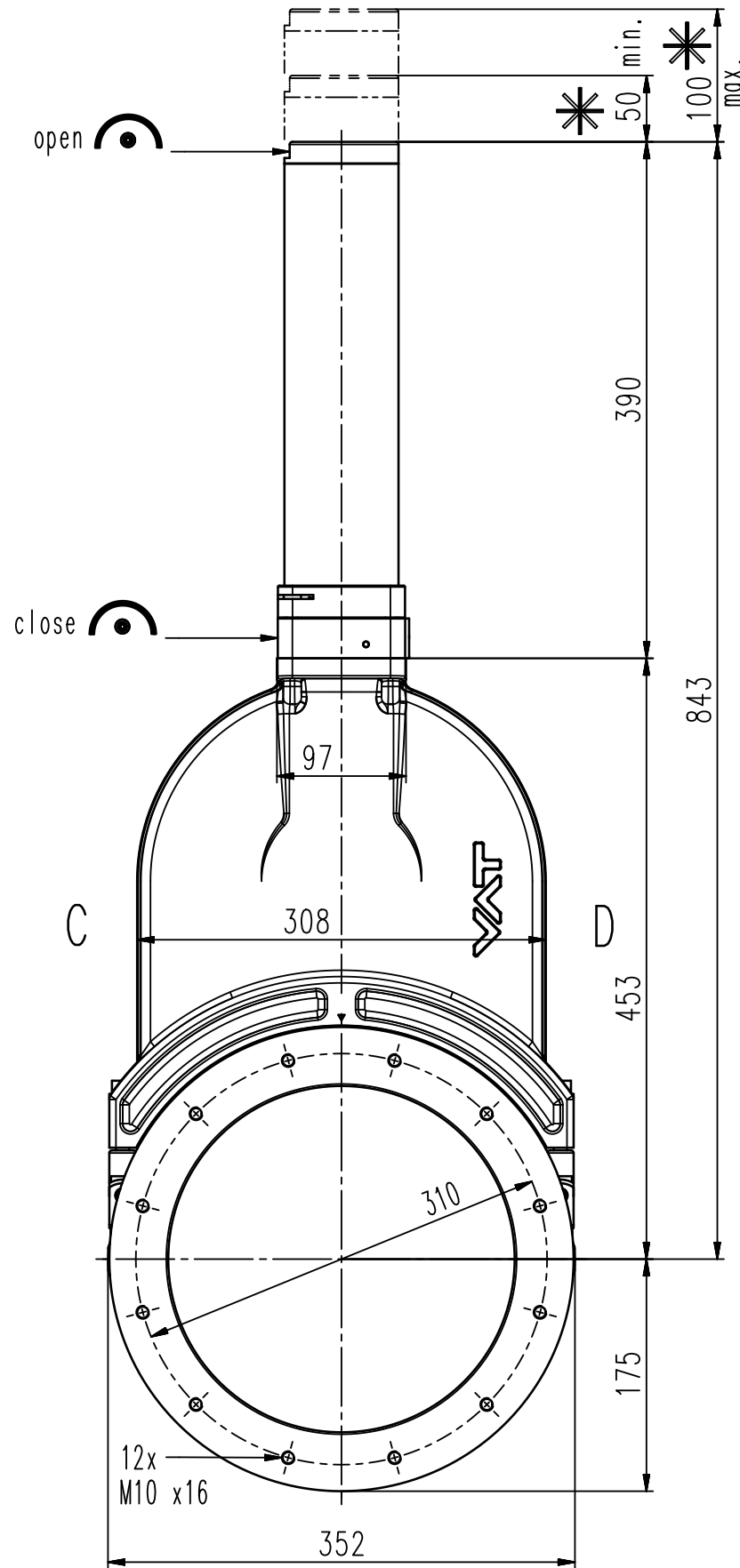
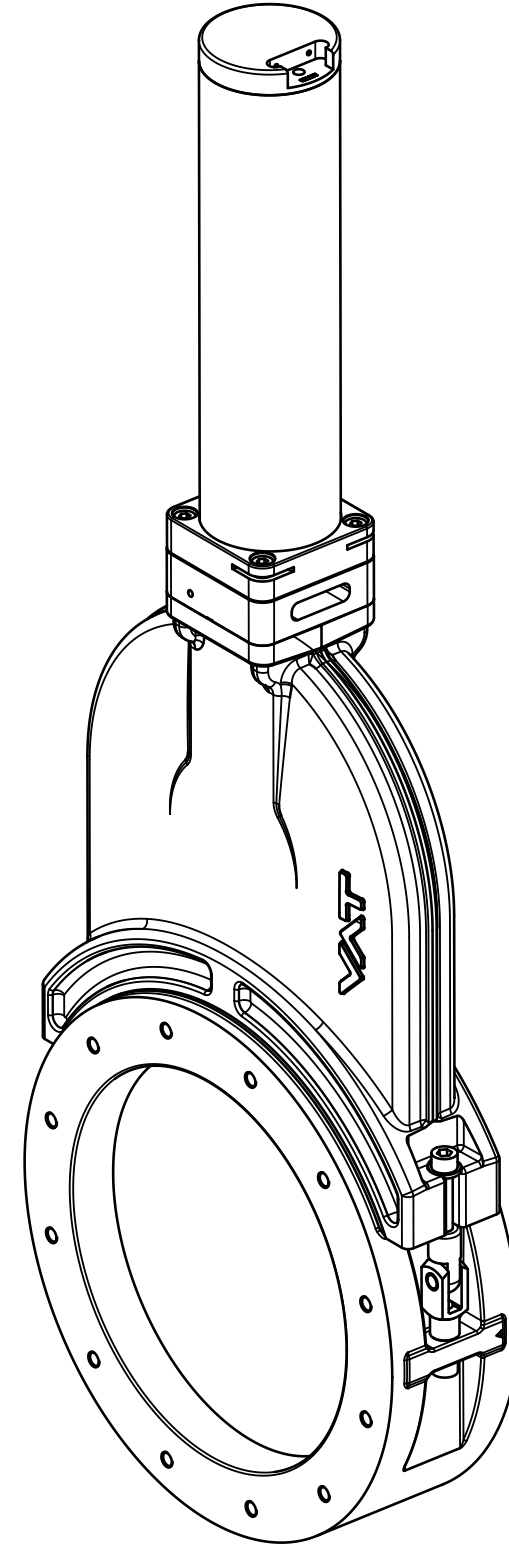


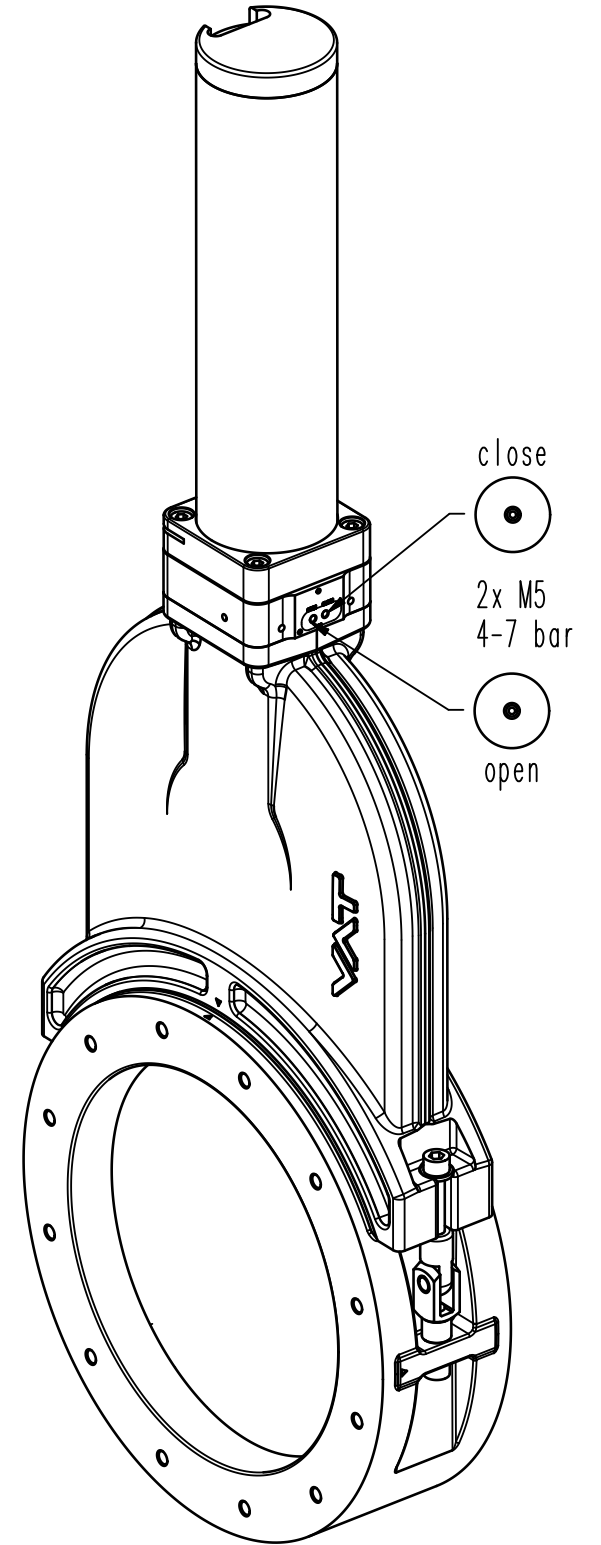
D-side



A-(seat)side



B-side



- ▼ Seat side
- ⊙ Comp. air connection
- ⊙ Electrical connection
- ⊙ Leak detection port
- ⊙ Mech. pos. indication
- ⊙ Position indicator
- ⊙ Required for dismantling
- ⊙ Emergency actuation
- ⊙ For attachment
- ⊙ Bake-out area
- ⊙ Differential pumping port

Vacuum gate valve



VAT Vakuumentile AG
CH-9469 Haag, Switzerland
Tel ++41 81 7716161 Fax ++41 81 7714830

Date: 08.08.08
Name: HUC

Series	121	Ordering No.	12148-PA14-0001
Projection E	DN	Flange	ISO-F
	250		
Dimensional Drawing	215117	Rev.	A