



VAT Vakuumventile AG
CH-9469 Haag, Schweiz

Product data sheet

Vacuum gate valve, Series 121, DN 250 (ID 10")

Ordering No. 12148-PA44

Description

Flange	ISO-F 250
Actuator	Pneumatic, double acting – with solenoid valve – with position indicator
Feedthrough	Shaft feedthrough

Technical data

Leak rate	– Valve body – Valve seat	$< 1 \cdot 10^{-9}$ mbar ls ⁻¹ $< 1 \cdot 10^{-9}$ mbar ls ⁻¹
Pressure range		$1 \cdot 10^{-7}$ mbar to 1.2 bar (abs)
Differential pressure on the gate		≤ 1.2 bar
Differential pressure at opening		≤ 30 mbar
Conductance (molecular flow)		22 000 ls ⁻¹
Cycles until first service		100 000 (unheated and under clean conditions)
Temperature (Maximum values: depending on operating conditions and sealing materials)	– Valve body – Actuator – Solenoid valve – Position indicator	≤ 120 °C ≤ 80 °C ≤ 50 °C ≤ 80 °C
Heating and cooling rate		30 °C h ⁻¹
Material (main components)	– Valve body – Mechanism	EN AC-42100 (3.2371) EN AW-6082 (3.2315)
Seal	– Bonnet – Gate – Actuator	FKM (Viton®) FKM (Viton®), O-ring FKM (Viton®), NBR (BUNA N®)
Mounting position		any
Volume of pneumatic actuator		1.5 l / 0.053 ft ³
Compressed air min. – max. overpressure		4–7 bar / 58–102 psi
Compressed air connection		G 1/8" (1/8" NPT for USA)
Actuation time	– closing – opening	5.0 s 5.0 s
Weight		25.0 kg / 55.1 lbs

Created by: JOM	Release date: 11.08.2014	1/2
Modified by:	Release date:	763849EA



VAT Vakuumventile AG
CH-9469 Haag, Schweiz

Product data sheet

Vacuum gate valve, Series 121, DN 250 (ID 10")

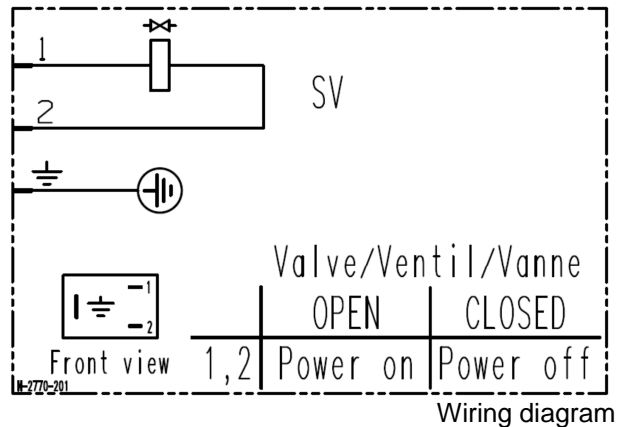
Ordering No. 12148-PA44

Behavior in case of compressed air pressure drop	- Valve closed	- valve remains closed
	- Valve open	- undefined
Behavior in case of power failure	- Valve closed	- valve remains closed
	- Valve open	- valve closes

Electrical connections

Solenoid valve

Type	4/2 way
Voltage	Defined by order



Position indicator

Type	Micro Switch	
Voltage	≤ 250 V AC	≤ 50 V DC
Current max.	≤ 2.0 A	≤ 1.2 A

