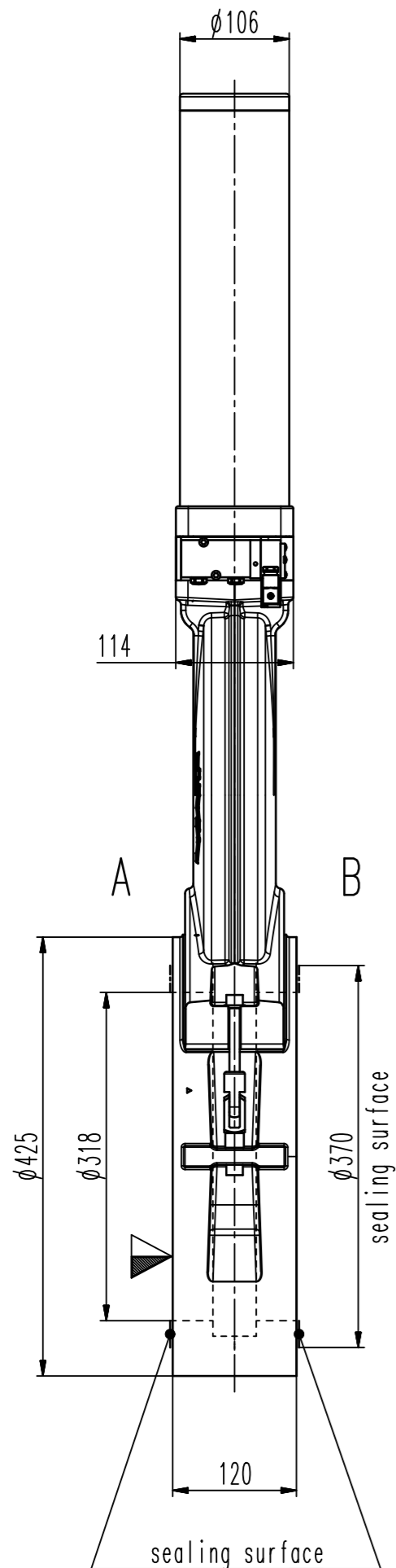


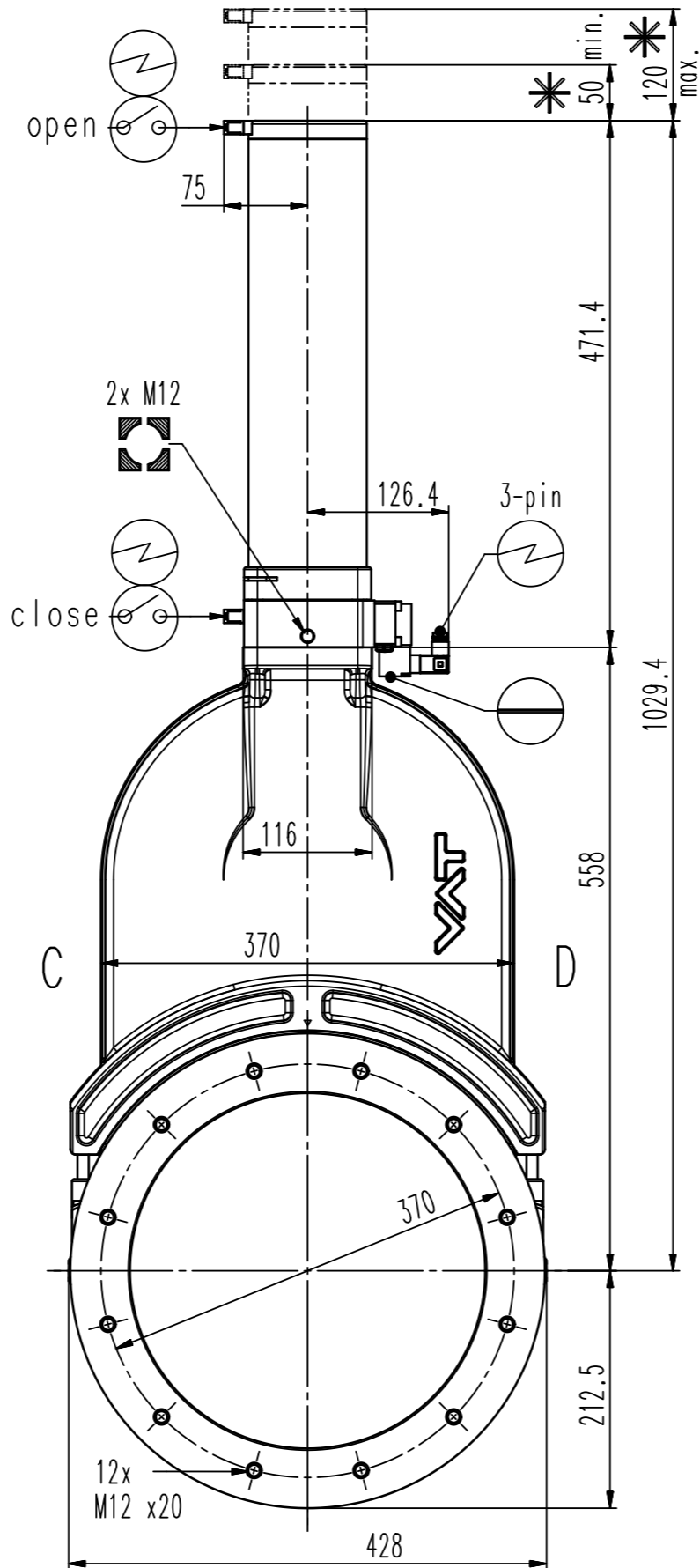
This drawing is the property of VAT.

Revision

Customer number



D-side



B-side

A-(seat)side

- ▼ Seat side
- ⊙ Comp. air connection
- ⊙ Electrical connection
- ⊙ Leak detection port
- ⊙ Mech. pos. indication
- ⊙ Position indicator
- ⊙ Required for dismantling
- ⊙ Emergency actuation
- ⊙ For attachment
- ⊙ Bake-out area
- ⊙ Differential pumping port

Vacuum gate valve



VAT Vakuumventile AG

CH-9469 Haag, Switzerland
Tel ++41 81 7716161 Fax ++41 81 7714830

Rev.-Date: 11.11.11

Visa: HUC

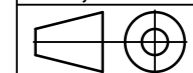
Series

121

Ordering No.

12150-JA44-0001

Projection E



DN

320

Flange

JIS

Dimensional Drawing

228940

Rev.

VAT/DA