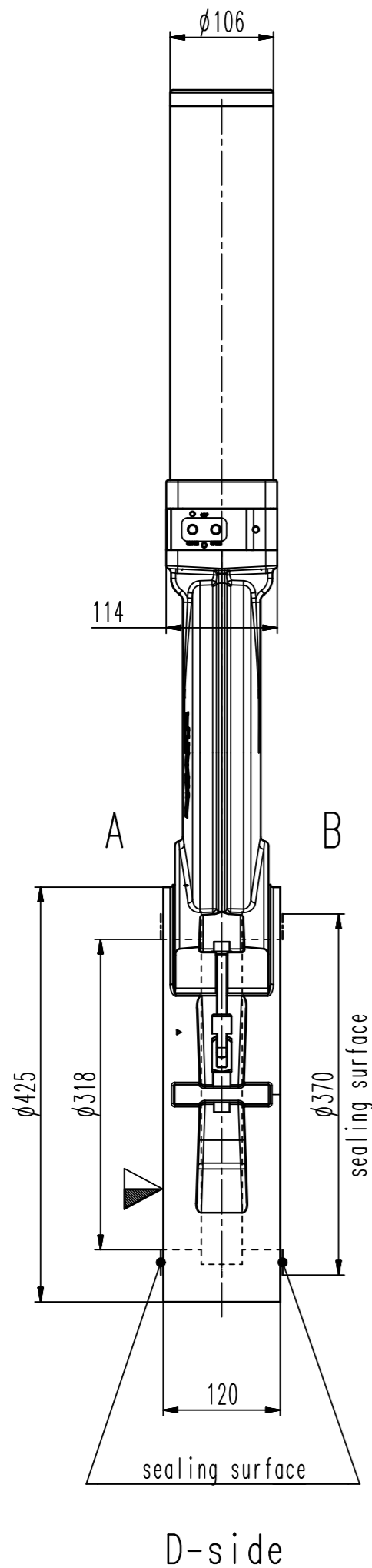


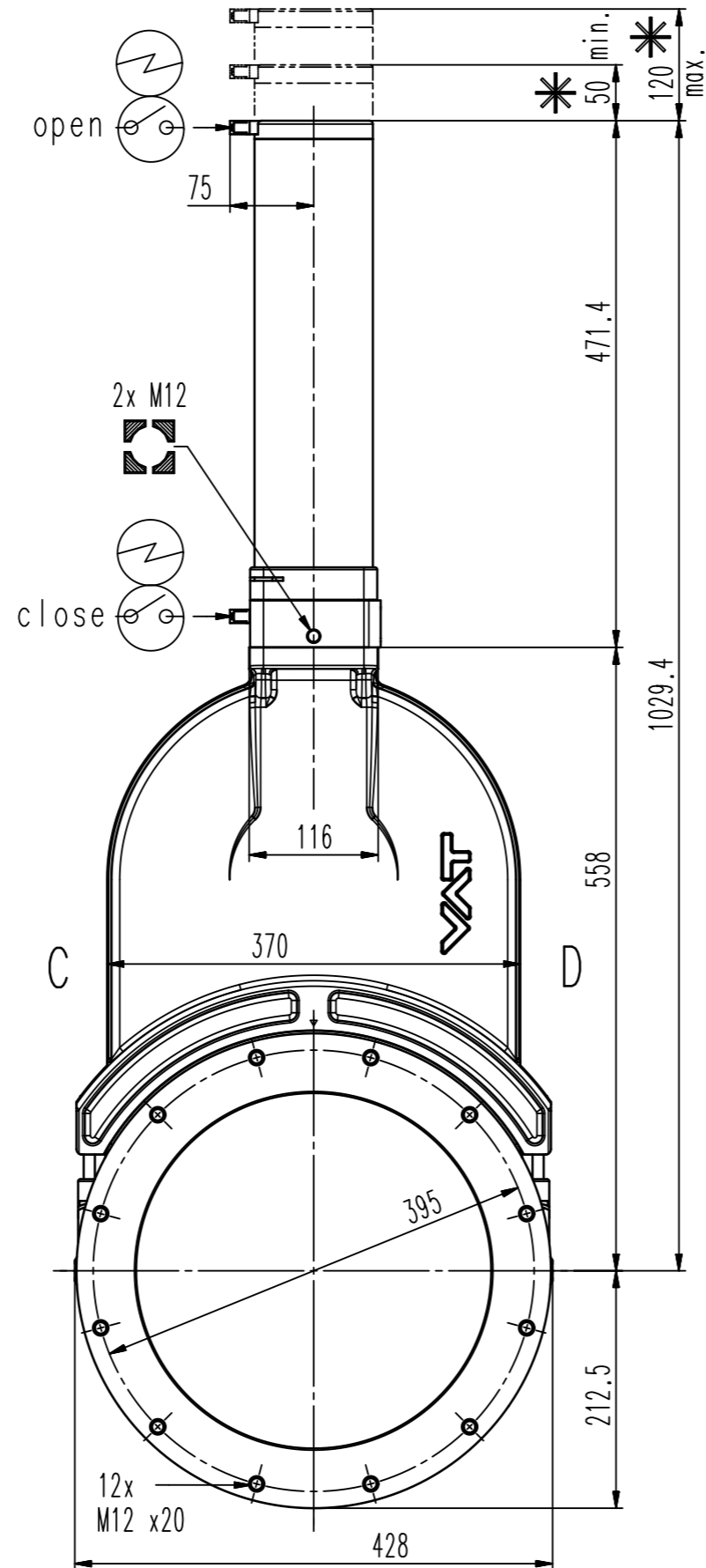
This drawing is the property of VAT.

Revision

Customer number



D-side



close

open

2x M12

C

D

12x M12 x 20

428

212.5

558

471.4

1029.4

120 max.

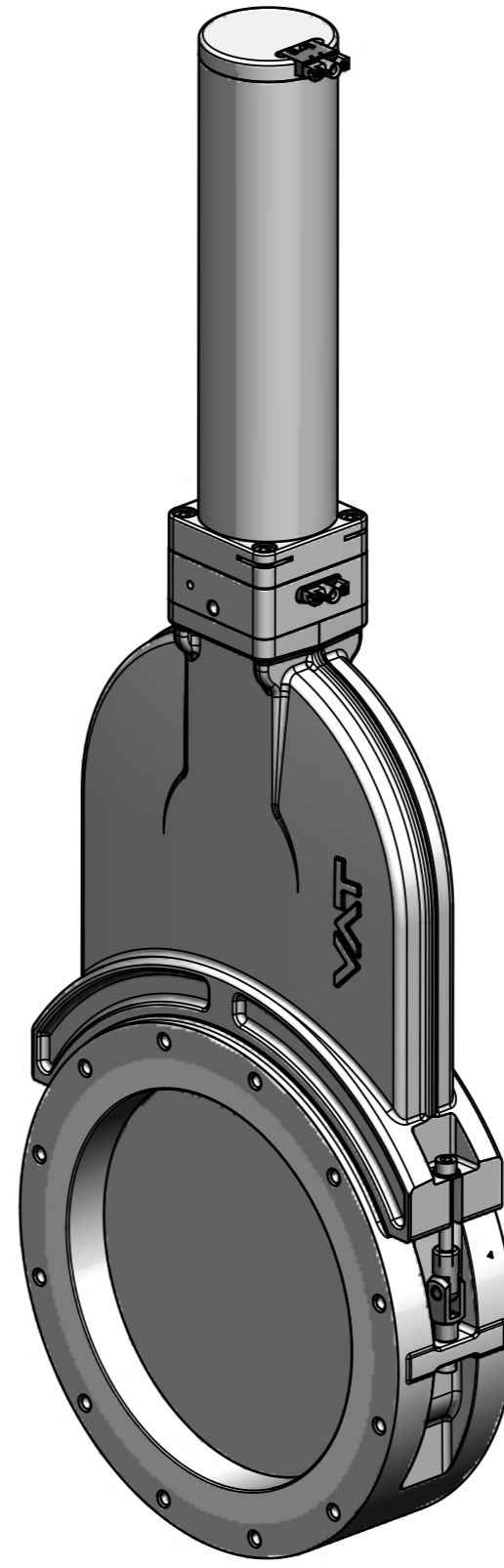
50 min.

75

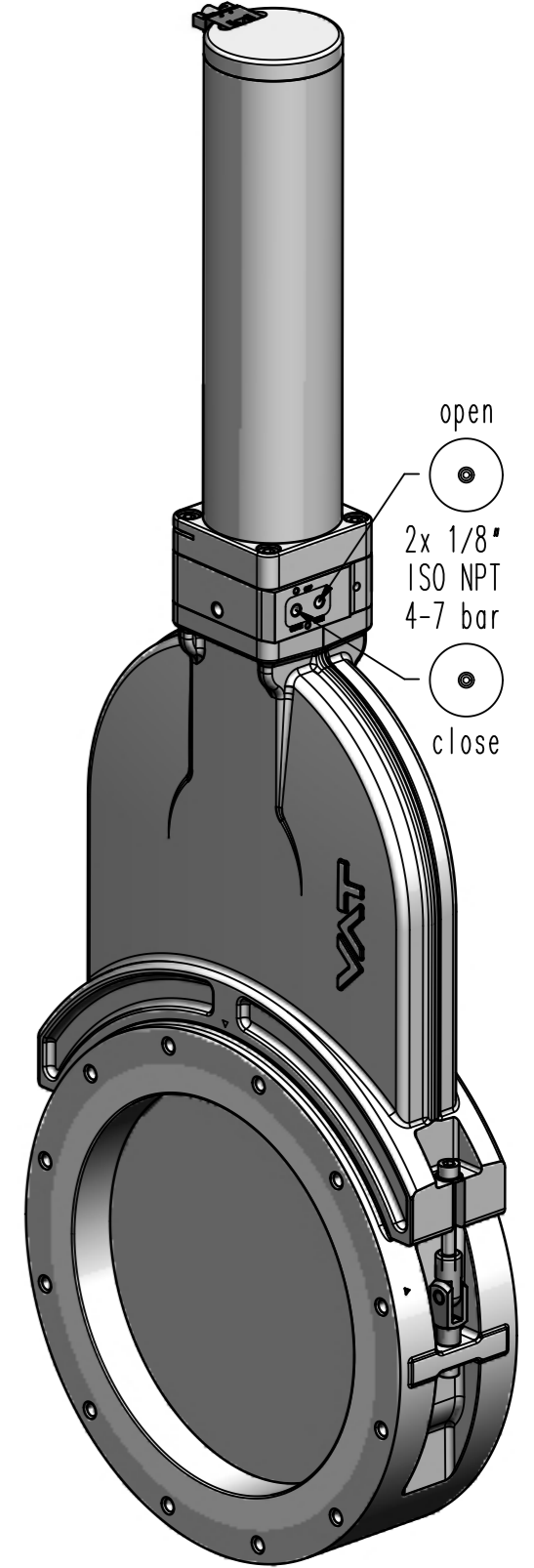
116

370

428



B-side



A-(seat)side

open

2x 1/8" ISO NPT 4-7 bar

close

- ▼ Seat side
- ⊙ Comp. air connection
- ⊙ Electrical connection
- ⊙ Leak detection port
- ⊙ Mech. pos. indication
- ⊙ Position indicator
- ⊙ Required for dismantling
- ⊙ Emergency actuation
- ⊙ For attachment
- ⊙ Bake-out area
- ⊙ Differential pumping port

Vacuum gate valve



VAT Vakuumventile AG

CH-9469 Haag, Switzerland
Tel ++41 81 7716161 Fax ++41 81 7714830

Rev.-Date: 11.11.11

Visa: HUC

Series	121	Ordering No.	12150-PA24-0001
Projection E	DN	Flange	ISO-F
	320		
Dimensional Drawing	228467	Rev.	