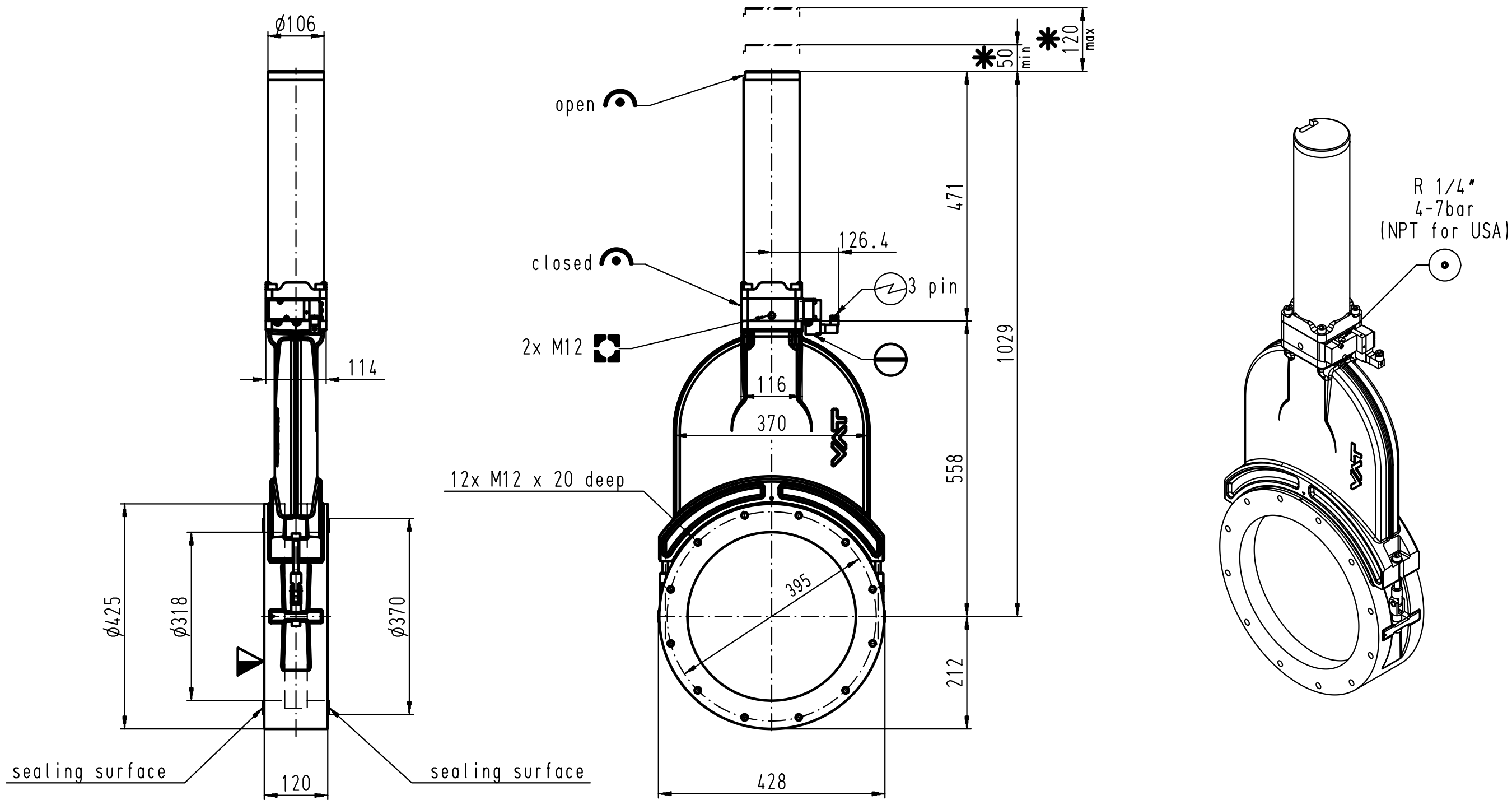


This drawing is the property of VAT.  
Without the written consent of VAT, it must  
not be copied or distributed to a third person

Revision	
Code	
Date	
Name	



- ▽ Seat side
- ⊙ Comp. air connection
- ⊕ Electrical connection
- ⊖ Leak detection port
- ⊗ Mech. pos. indication
- ⊘ Position indicator
- ⊙\* Required for dismantling
- ⊙⊕ Emergency actuation
- ⊙⊖ For attachment
- ⊙⊗ Bake-out area
- ⊙⊘ Differential pumping port

### Vacuum Gate Valve

pneumatic actuator



**VAT Vakuumventile AG**  
CH-9469 Haag, Switzerland  
Tel ++41 81 7716161 Fax ++41 81 7714830

Date: 14.10.2002  
Name: BRR

Series	Ordering No.	
12	12150-PA34	
Projection E	DN	Flange
	320	ISO-F
Dimensional Drawing	233653	Rev.