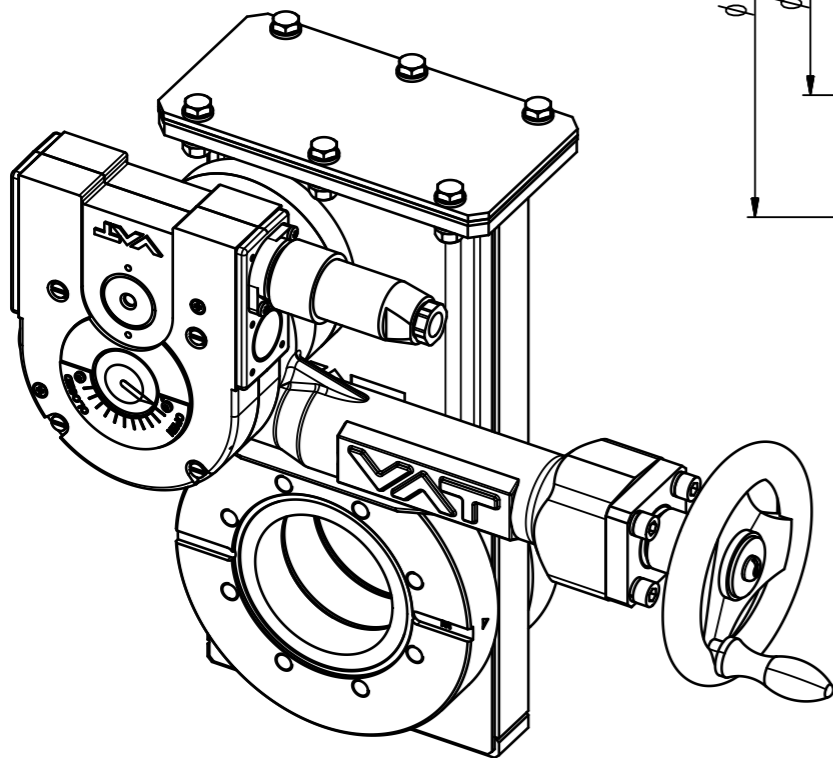
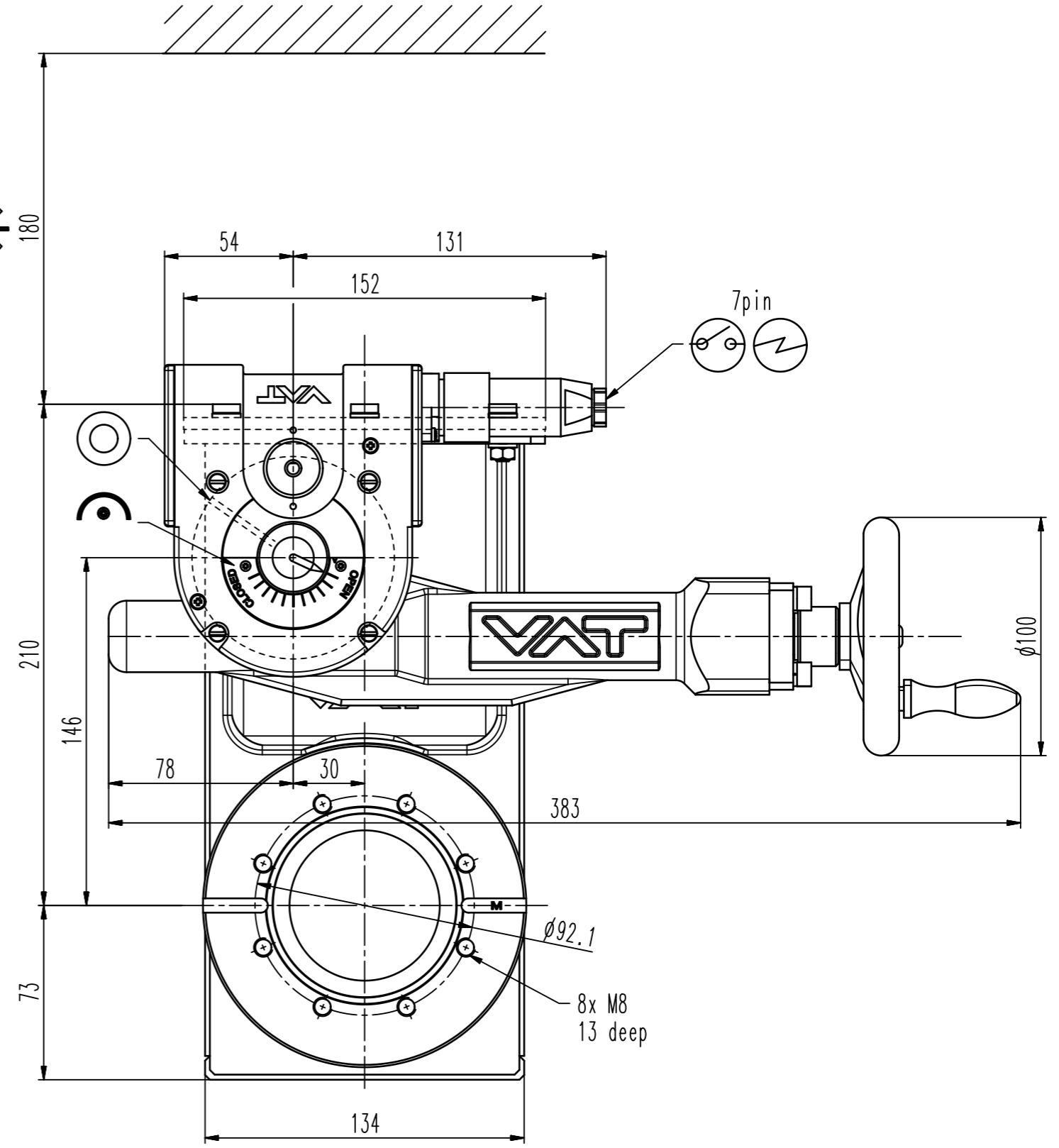
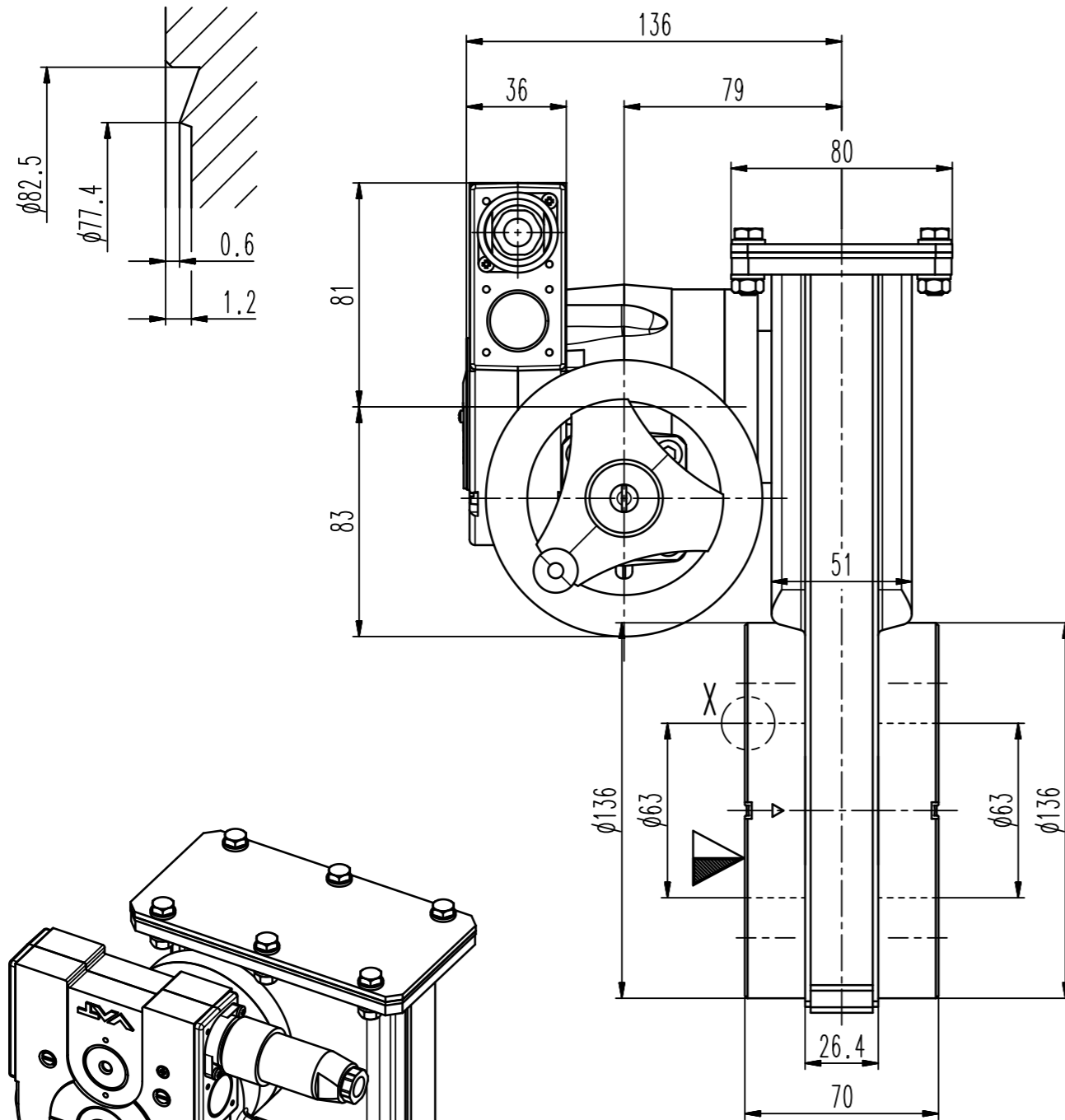


This drawing is the property of VAT.

Revision

Customer number

Knife edge
Detail X



- ▼ Seat side
- ⊙ Comp. air connection
- ⊙ Electrical connection
- ⊙ Leak detection port
- ⊙ Mech. pos. indication
- ⊙ Position indicator
- ⊙ Required for dismantling
- ⊙ Emergency actuation
- ⊙ For attachment
- ⊙ Bake-out area
- ⊙ Differential pumping port

HV gate valve



VAT Vakuumentile AG
CH-9469 Haag, Switzerland
Tel ++41 81 7716161 Fax ++41 81 7714830

Rev.-Date: 25.10.12
Visa: VOM

Series	140	Ordering No.	14036-CE08-0004
Projection E	DN	Flange	
	63	CF-F m	
Dimensional Drawing	236396	Rev.	A