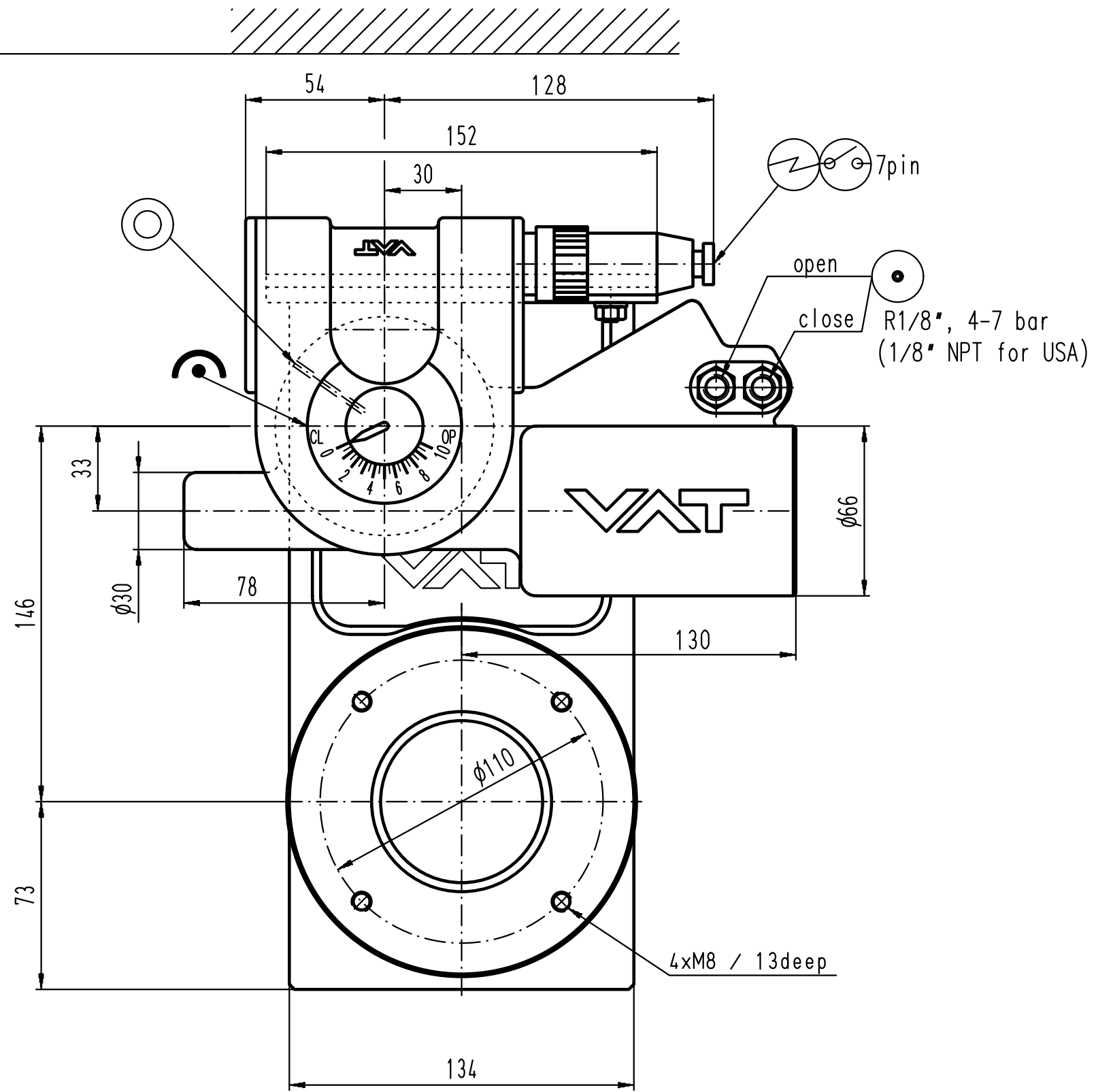
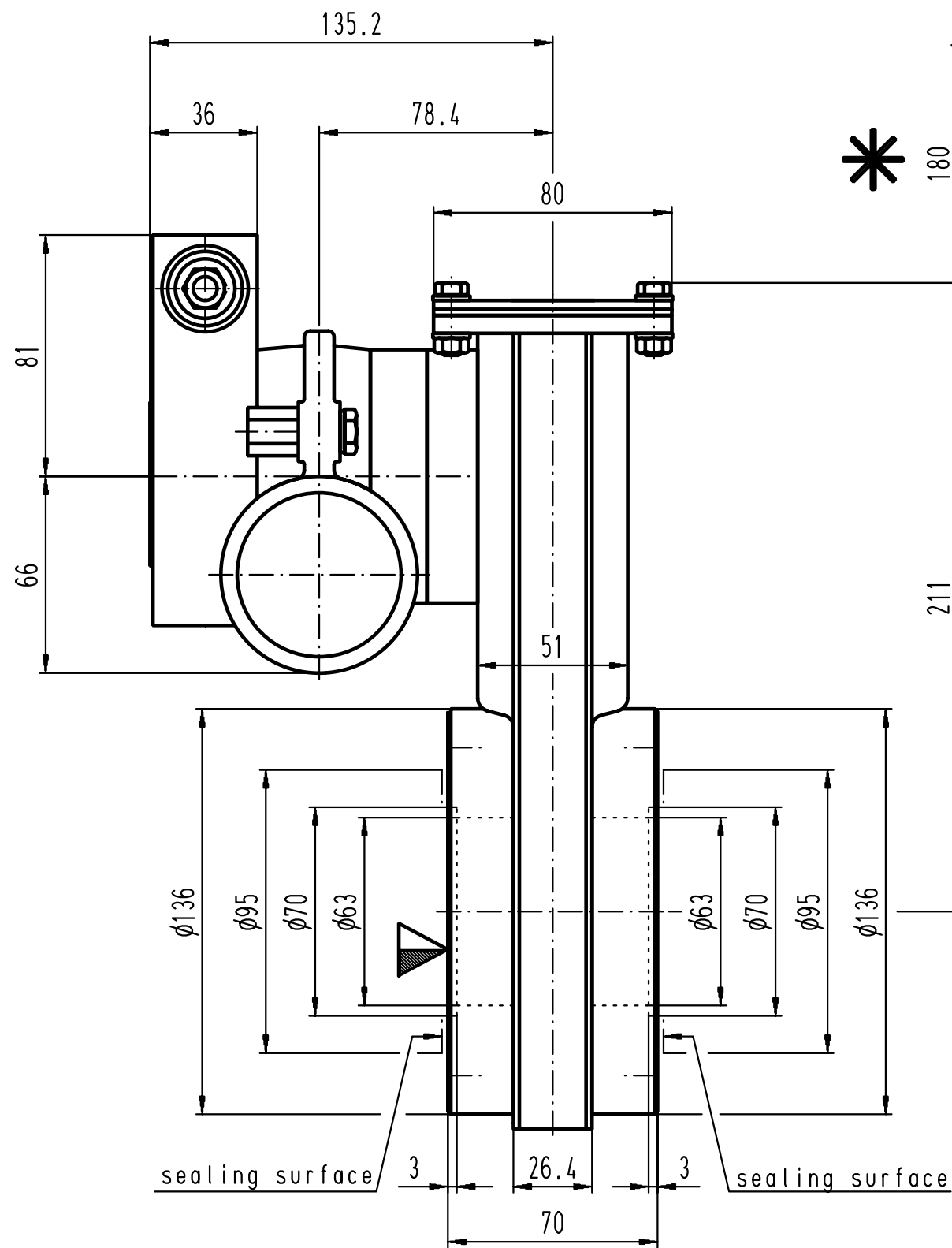


This drawing is the property of VAT.  
Without the written consent of VAT, it must  
not be copied or distributed to a third person



Revision	Code	Date	Name

- ▼ Seat side
- ⊙ Comp. air connection
- ⊙ Electrical connection
- ⊙ Leak detection port
- ⊙ Mech. pos. indication
- ⊙ Position indicator
- ⊙ Required for dismantling
- ⊙ Emergency actuation
- ⊙ For attachment
- ⊙ Bake-out area
- ⊙ Differential pumping port

## HV Gate Valve

pneumatic actuator



**VAT Vakuumventile AG**  
CH-9469 Haag, Switzerland  
Tel ++41 81 7716161 Fax ++41 81 7714830

Date: 08.01.03  
Name: FRP

Series	14	Ordering No.	14036-PE24-0004
Projection E		DN	63
Flange	ISO-F	Rev.	
Dimensional Drawing	235569		