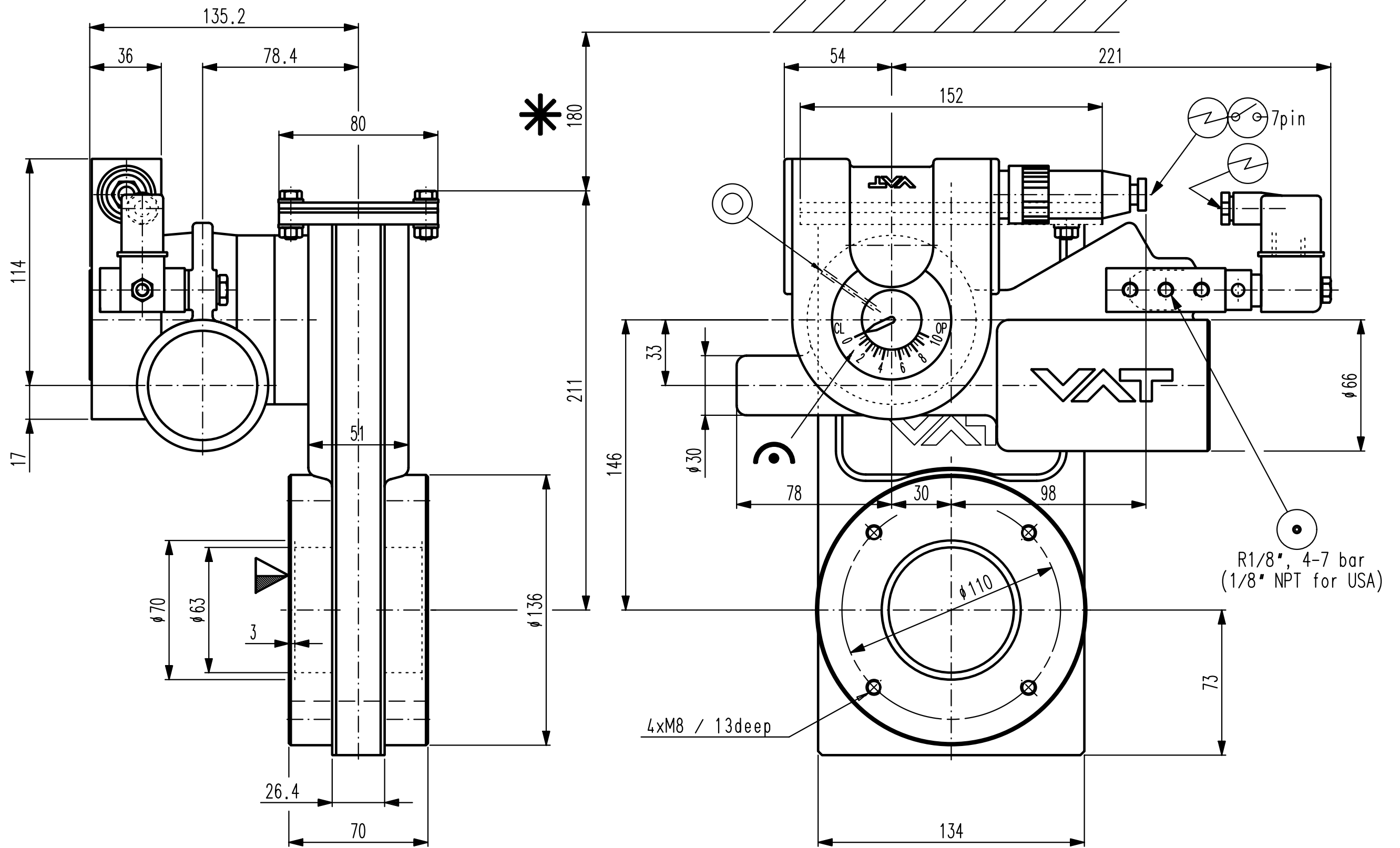


This drawing is the property of VAT.  
Without the written consent of VAT, it must  
not be copied or distributed to a third person



Revision	Code	Date	Name

- ▼ Seat side
- Comp. air connection
- ⚡ Electrical connection
- ⊗ Leak detection port
- ⊍ Mech. pos. indication
- ⊎ Position indicator
- ★ Required for dismantling
- ⊕ Emergency actuation
- ⊖ For attachment
- ⊓ Bake-out area
- ⊙ Differential pumping port

## HV Gate Valve

pneumatic actuator



**VAT Vakuumventile AG**  
CH-9469 Haag, Switzerland  
Tel ++41 81 7716161 Fax ++41 81 7714830

Date: 10.03.94  
Name: SUTER

Series	14	Ordering No.	14036-PE44-0004
Projection E	63	DN	Flange
Dimensional Drawing	83465	ISO-F	Rev.