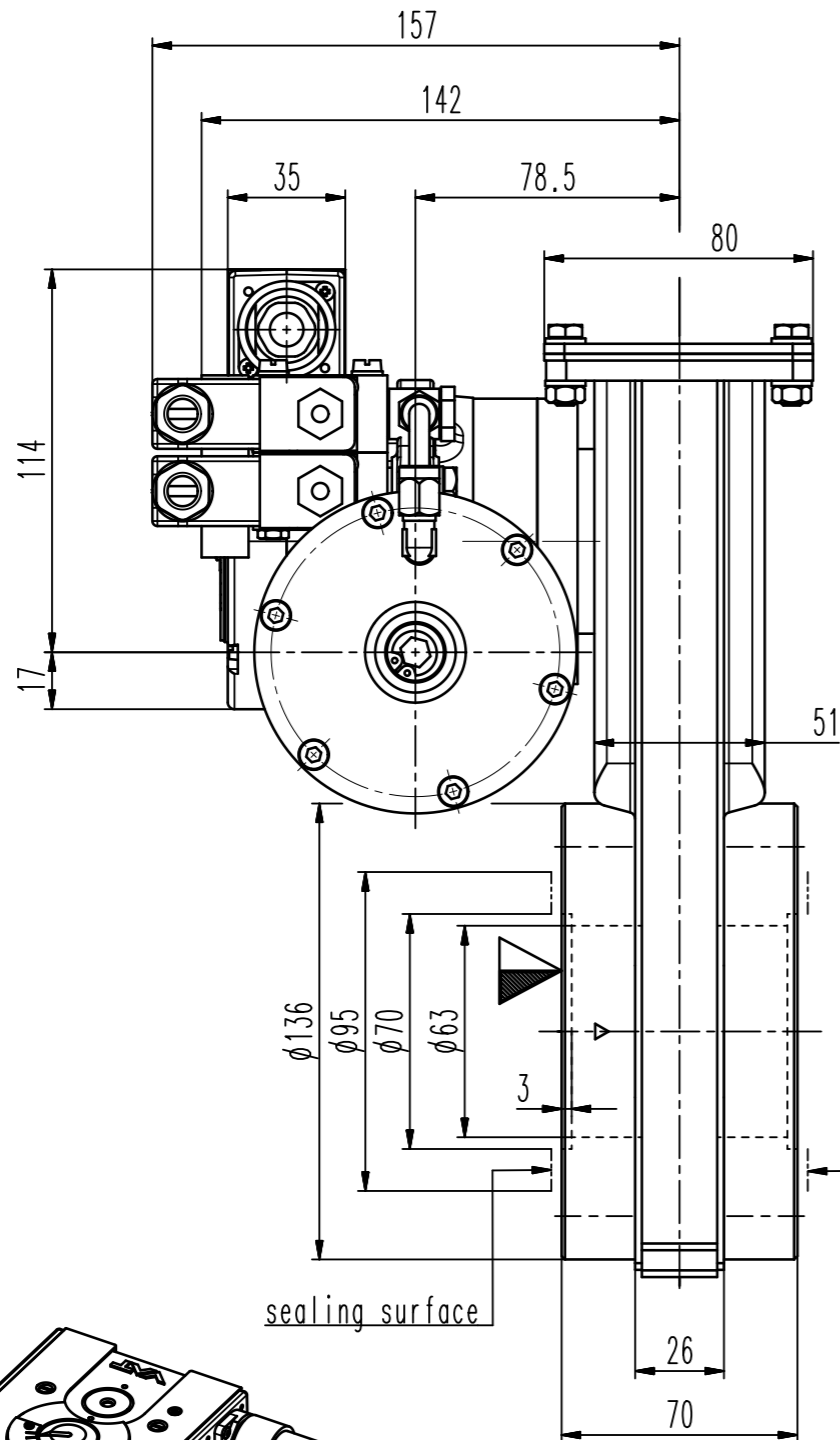


This drawing is the property of VAT.

Revision

Customer number



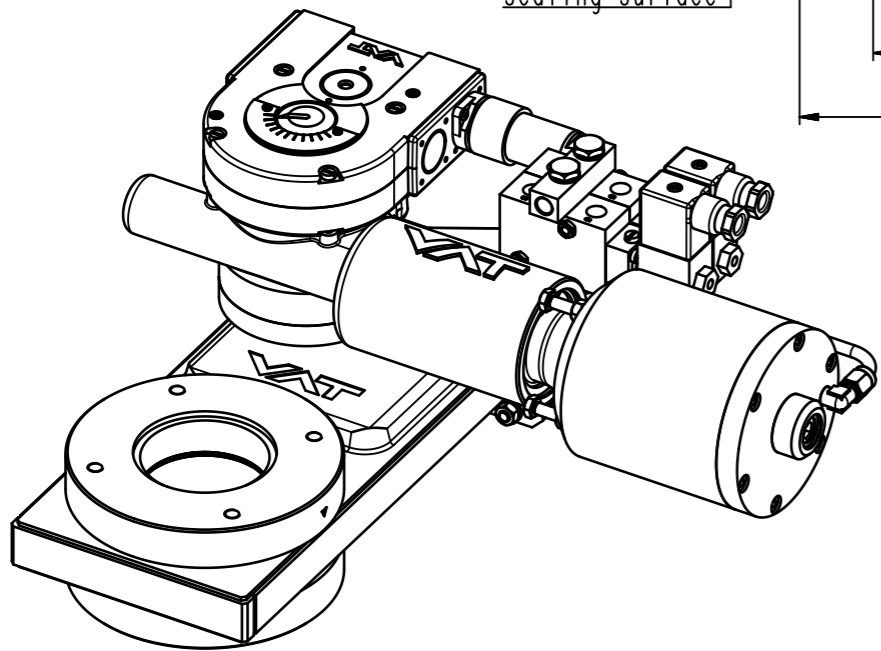
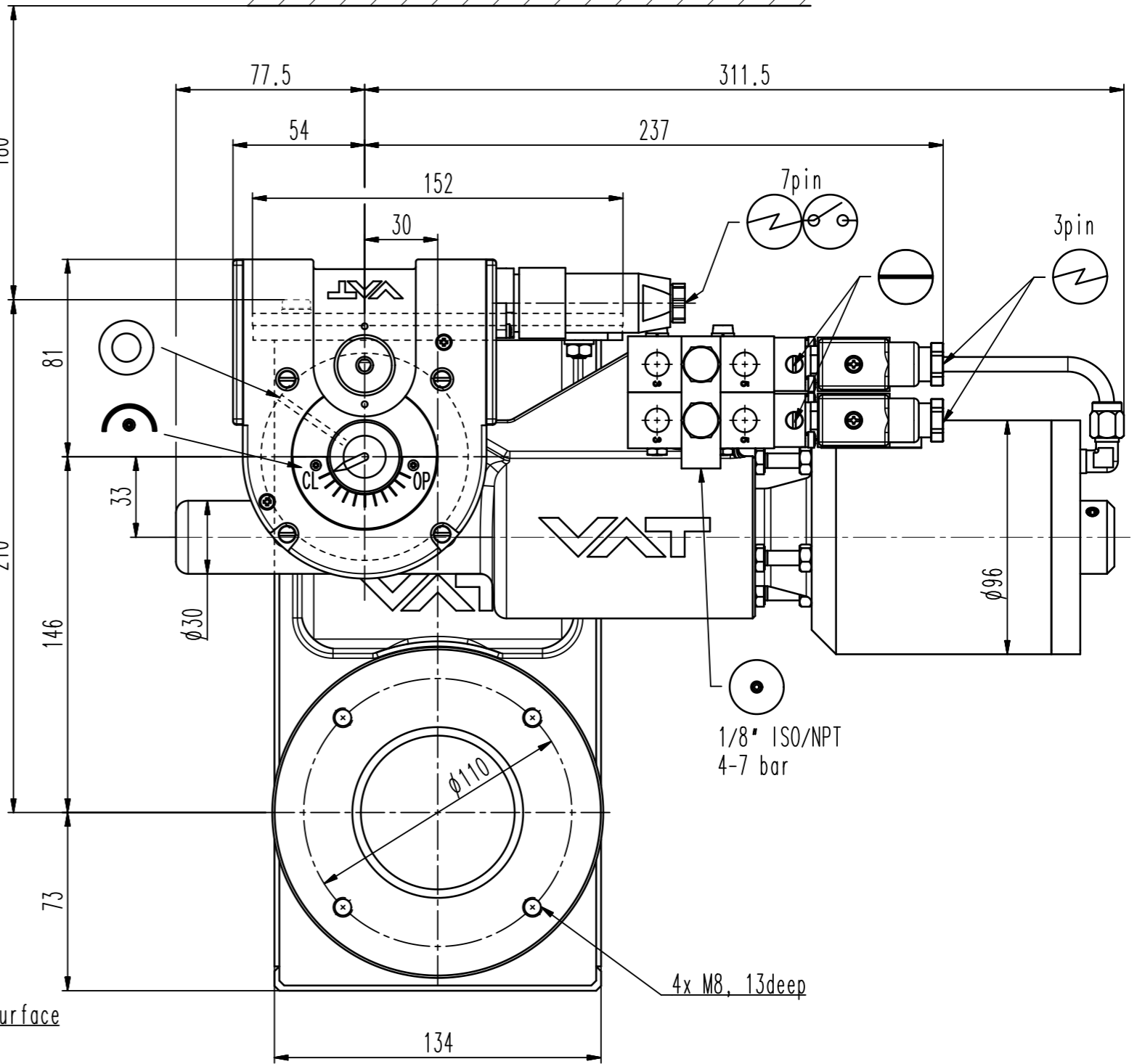
180

210

146

73

sealing surface



- ▼ Seat side
- ⊙ Comp. air connection
- ⊕ Electrical connection
- ⊖ Leak detection port
- ⊙ Mech. pos. indication
- ⊙ Position indicator
- ⊙ Required for dismantling
- ⊙ Emergency actuation
- ⊙ For attachment
- ⊙ Bake-out area
- ⊙ Differential pumping port

HV gate valve



VAT Vakuumentile AG

CH-9469 Haag, Switzerland
Tel ++41 81 7716161 Fax ++41 81 7714830

Rev.-Date: 20.02.17

Visa: KEJ

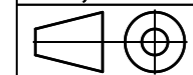
Series

140

Ordering No.

14036-PE48-0001

Projection E



DN

Ø30

Flange

ISO-F

Dimensional Drawing

882821

Rev.

VAT/DA