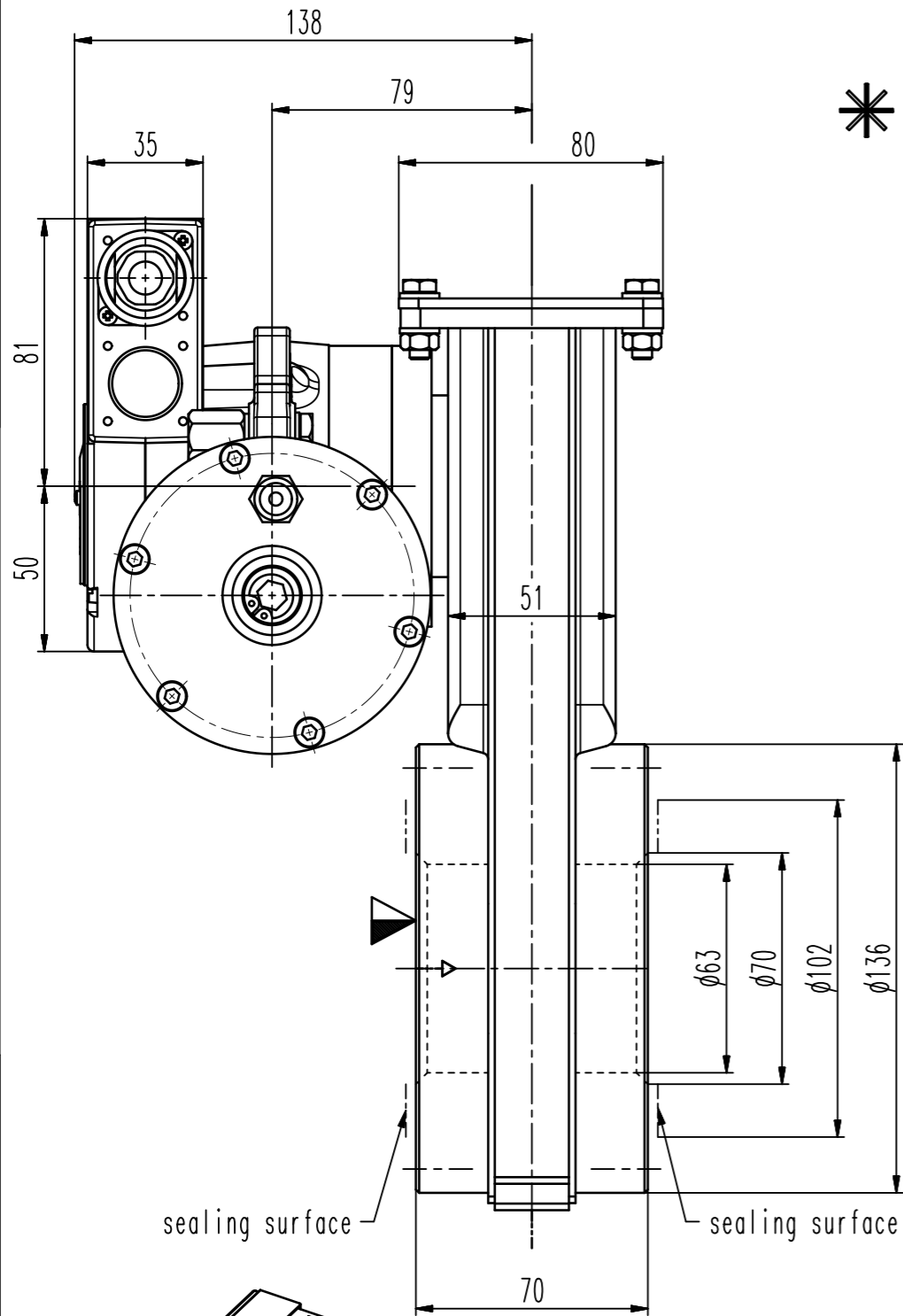


This drawing is the property of VAT.

Revision

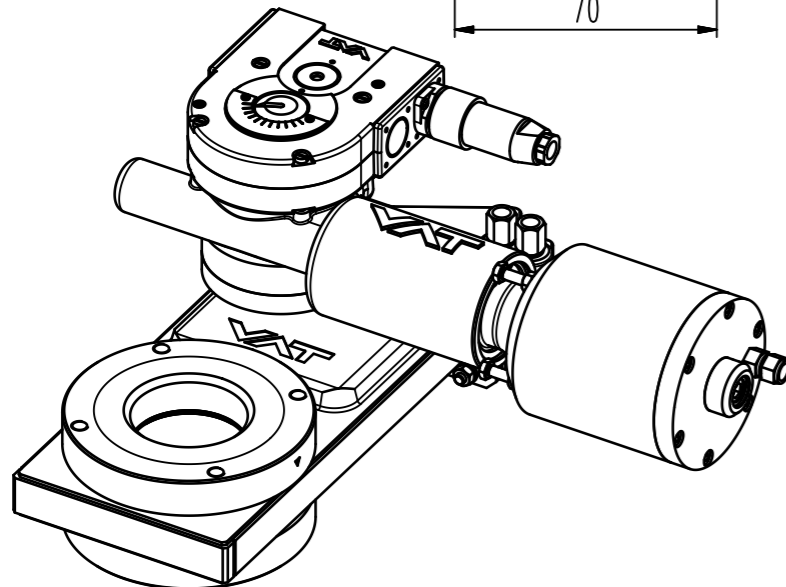
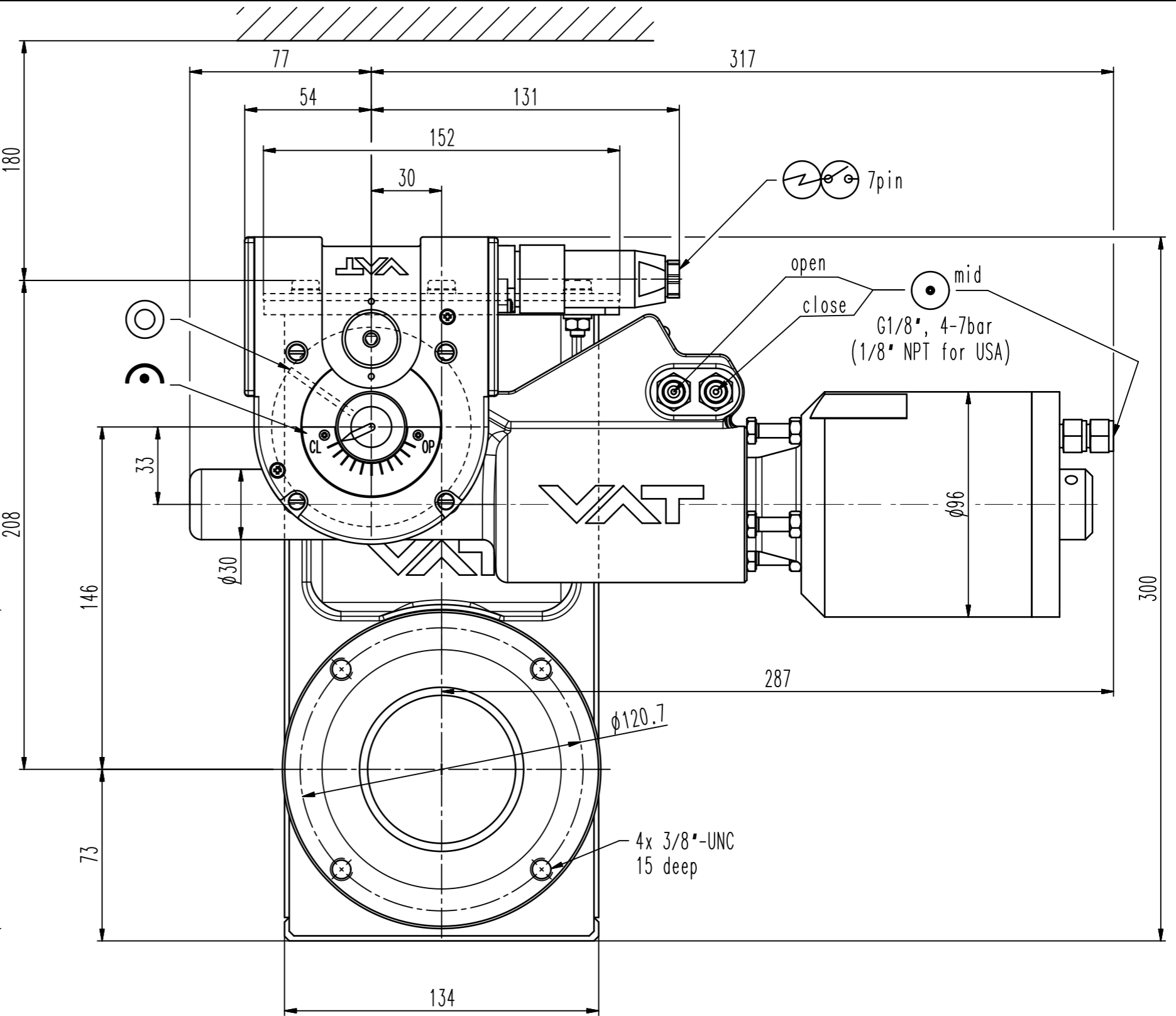
Customer number



180

208

73



- ▼ Seat side
- ⊙ Comp. air connection
- ⊙ Electrical connection
- ⊙ Leak detection port
- ⊙ Mech. pos. indication
- ⊙ Position indicator
- ⊙ Required for dismantling
- ⊙ Emergency actuation
- ⊙ For attachment
- ⊙ Bake-out area
- ⊙ Differential pumping port

### HV gate valve



VAT Vakuumventile AG

CH-9469 Haag, Switzerland  
Tel ++41 81 7716161 Fax ++41 81 7714830

Rev.-Date: 17.02.17

Visa: KEJ

Series	140	Ordering No.	14036-TE28-0001
Projection E	DN	Flange	ASA-LP
	63		
Dimensional Drawing	882583	Rev.	