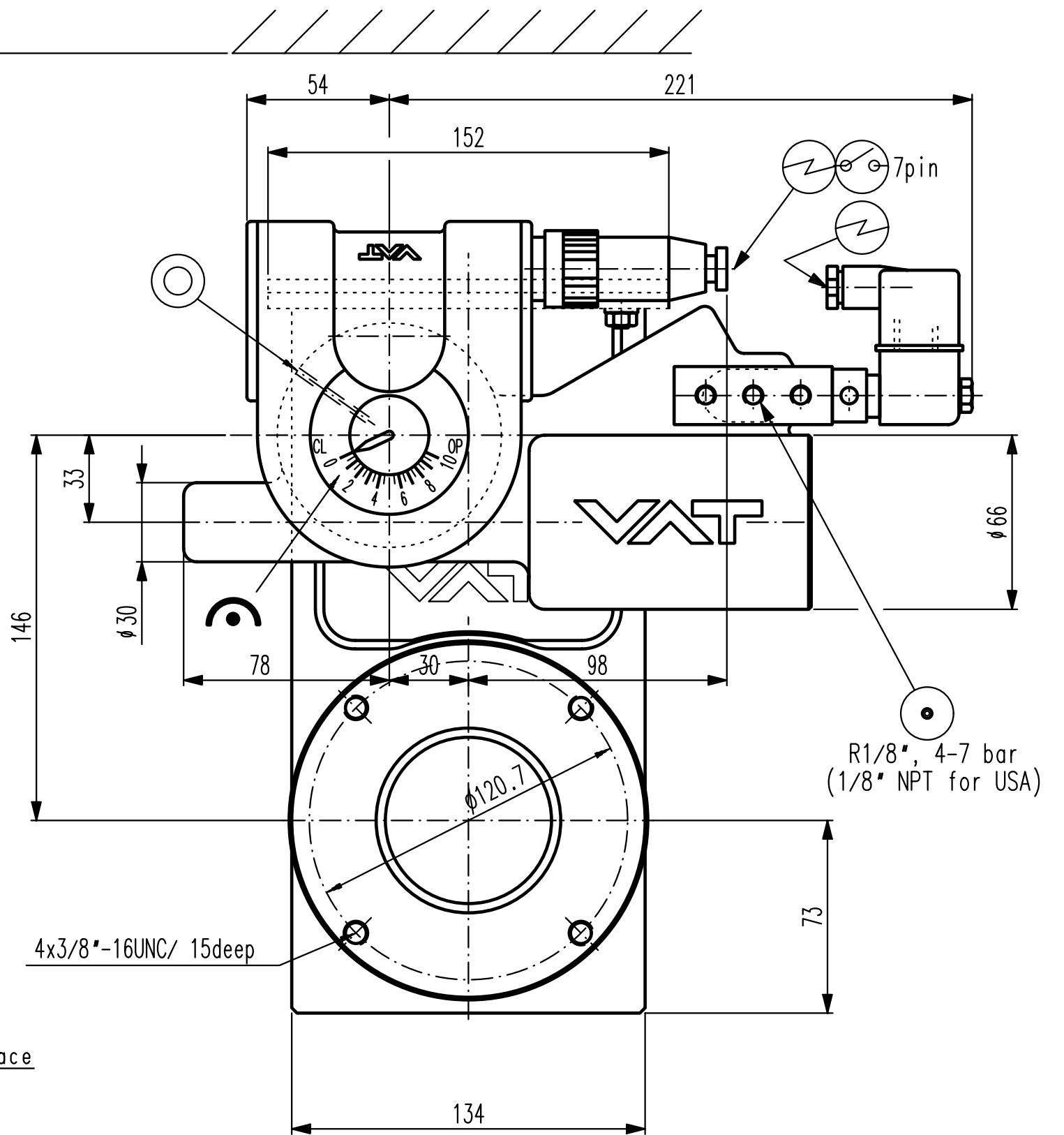
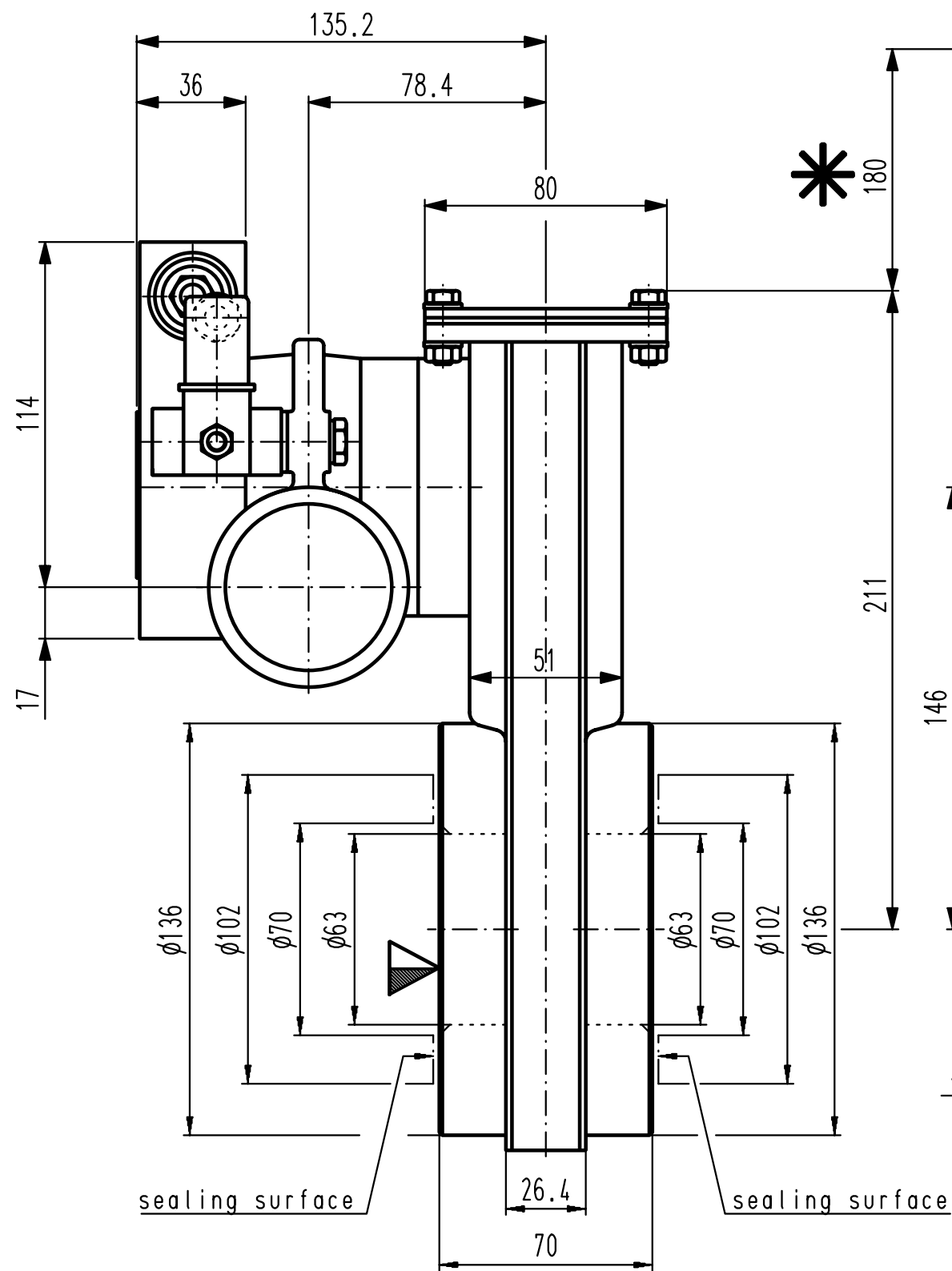


This drawing is the property of VAT.
Without the written consent of VAT, it must
not be copied or distributed to a third person



R1/8", 4-7 bar
(1/8" NPT for USA)

Revision	
Code	
Date	
Name	

- ▼ Seat side
- ⊙ Comp. air connection
- ⊕ Electrical connection
- ⊖ Leak detection port
- ⊗ Mech. pos. indication
- ⊘ Position indicator
- ⊙* Required for dismantling
- ⊙ Emergency actuation
- ⊙ For attachment
- ⊙ Bake-out area
- ⊙ Differential pumping port

HV Gate Valve

pneumatic actuator



VAT Vakuumventile AG
CH-9469 Haag, Switzerland
Tel ++41 81 7716161 Fax ++41 81 7714830

Date: 30.01.03
Name: FRP

Series	14	Ordering No.	14036-TE44-0004
Projection E	63	DN	Flange
			ASA-LP
Dimensional Drawing	236394	Rev.	