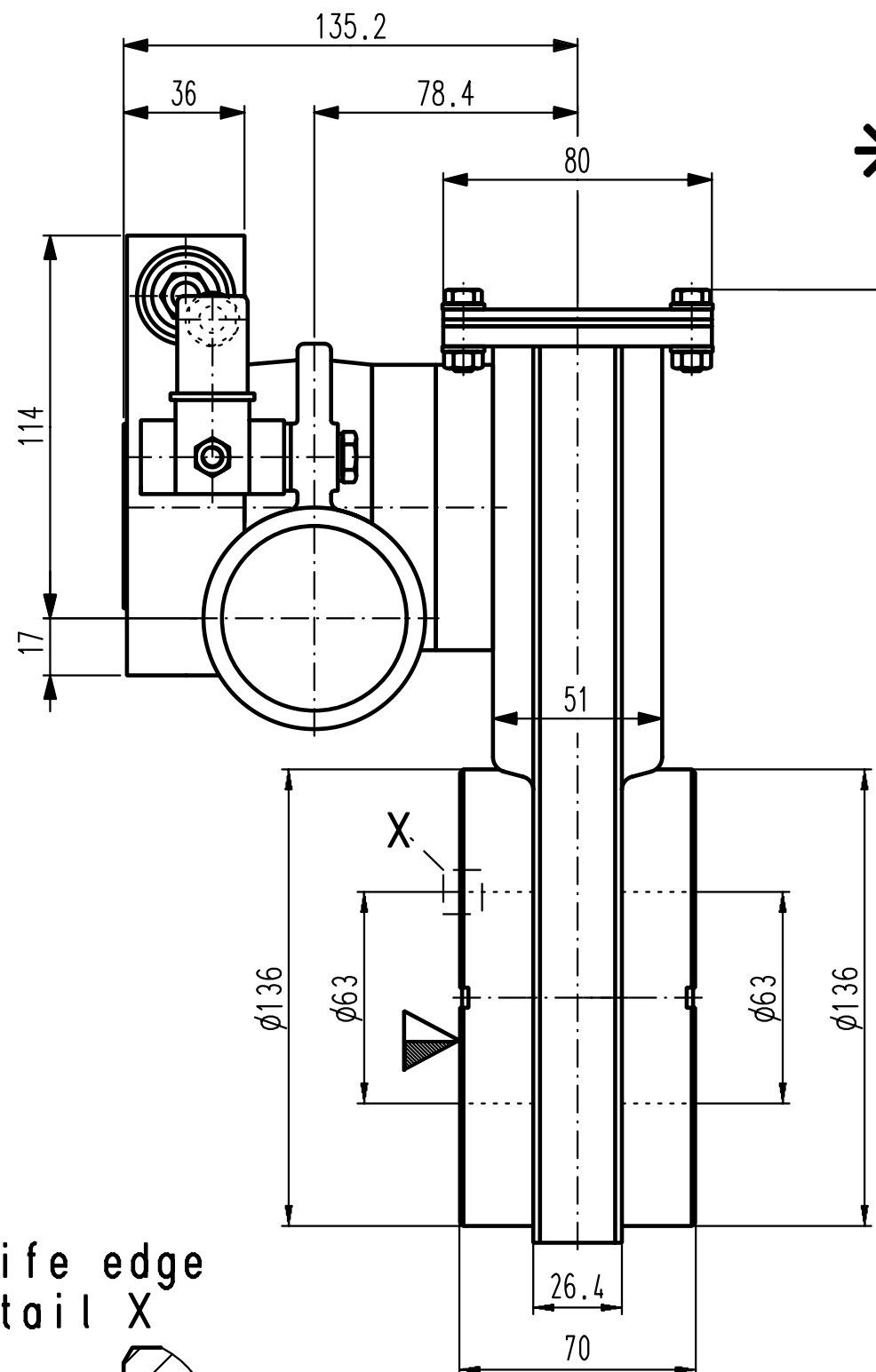
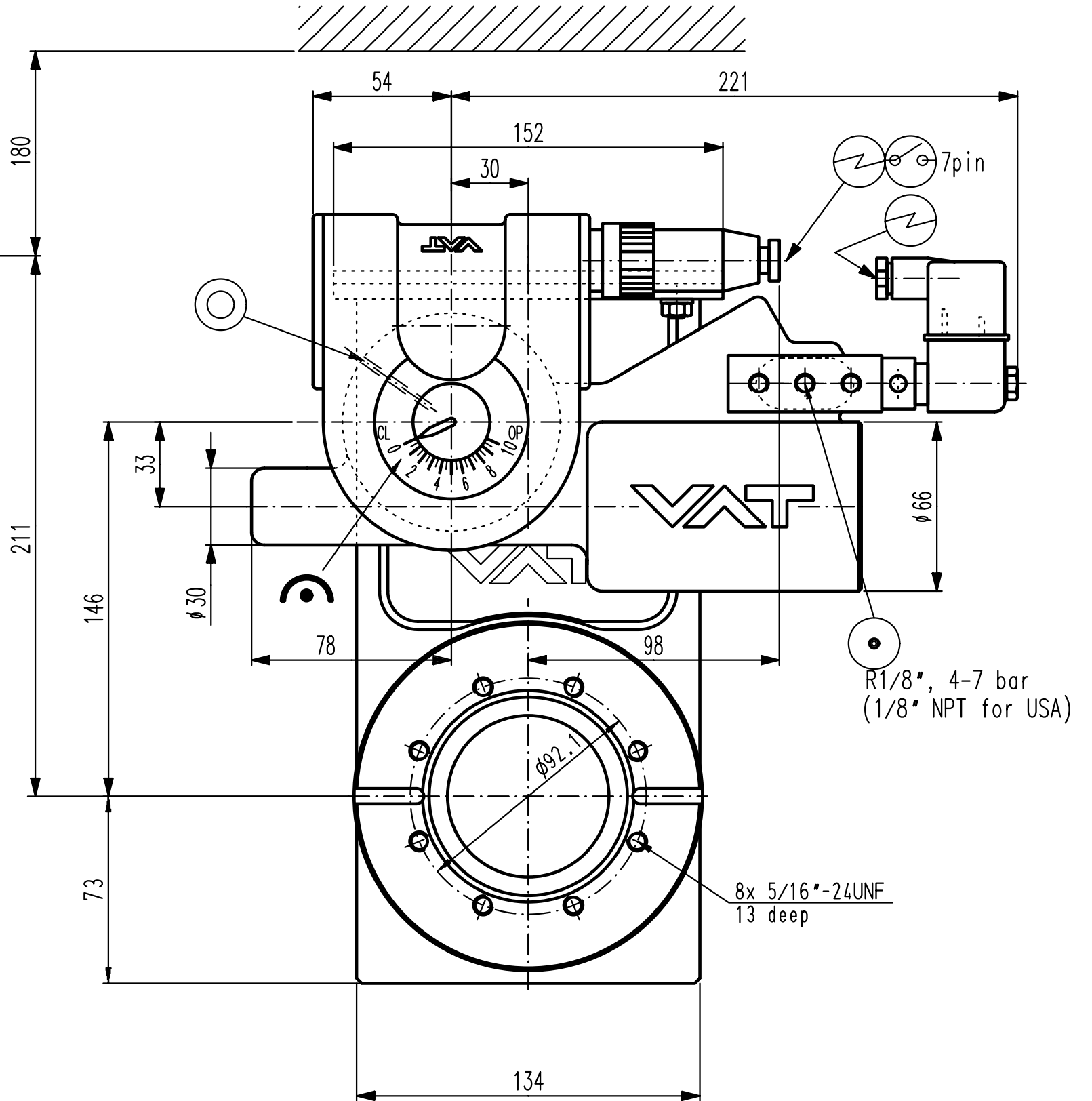
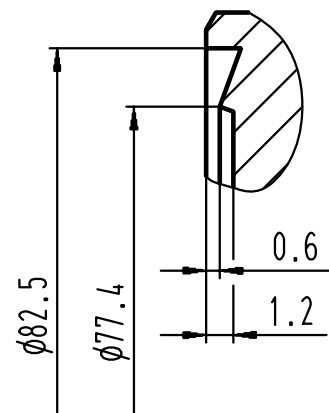


This drawing is the property of VAT.  
Without the written consent of VAT, it must  
not be copied or distributed to a third person



Knife edge  
Detail X



R1/8", 4-7 bar  
(1/8" NPT for USA)

8x 5/16"-24UNF  
13 deep

Revision	Code	Date	Name

- ▼ Seat side
- ⊙ Comp. air connection
- ⊕ Electrical connection
- ⊗ Leak detection port
- ⊖ Mech. pos. indication
- ⊙ Position indicator
- ⊙ Required for dismantling
- ⊙ Emergency actuation
- ⊙ For attachment
- ⊙ Bake-out area
- ⊙ Differential pumping port

### HV Gate Valve

pneumatic actuator



**VAT Vakuumventile AG**  
CH-9469 Haag, Switzerland  
Tel ++41 81 7716161 Fax ++41 81 7714830

Date: 03.02.03  
Name: FRP

Series	14	Ordering No.	14036-UE44-0004
Projection E		DN	63
		Flange	CF-F UNF
Dimensional Drawing	236519	Rev.	