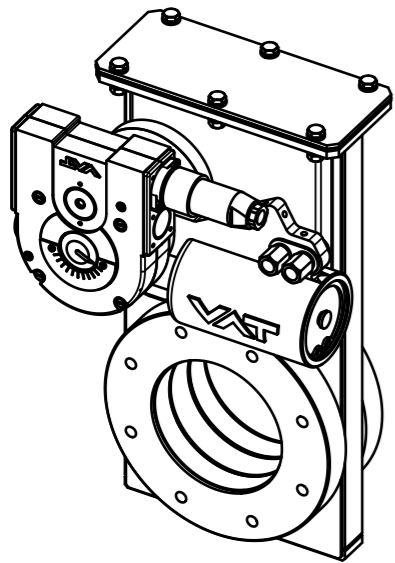
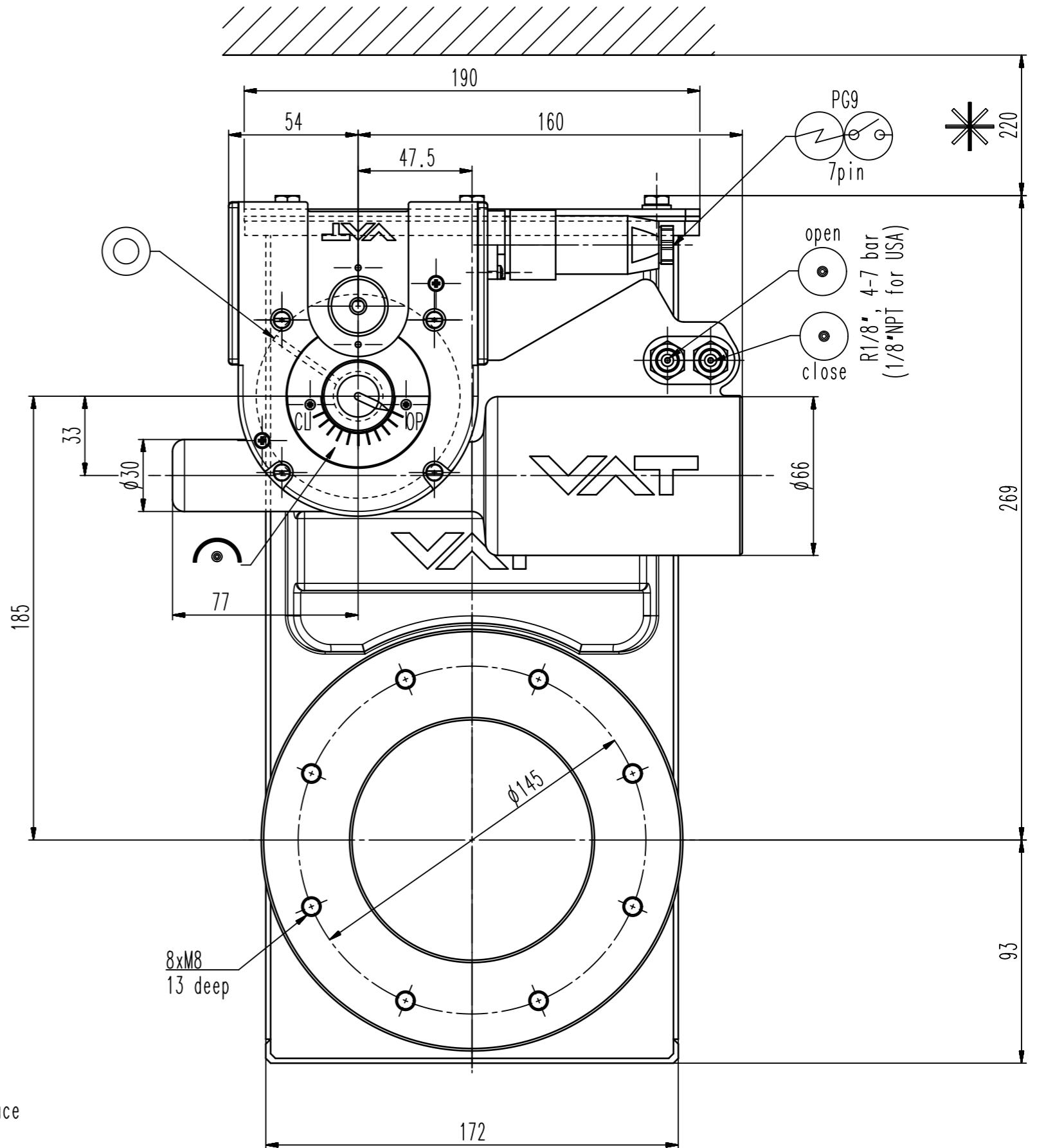
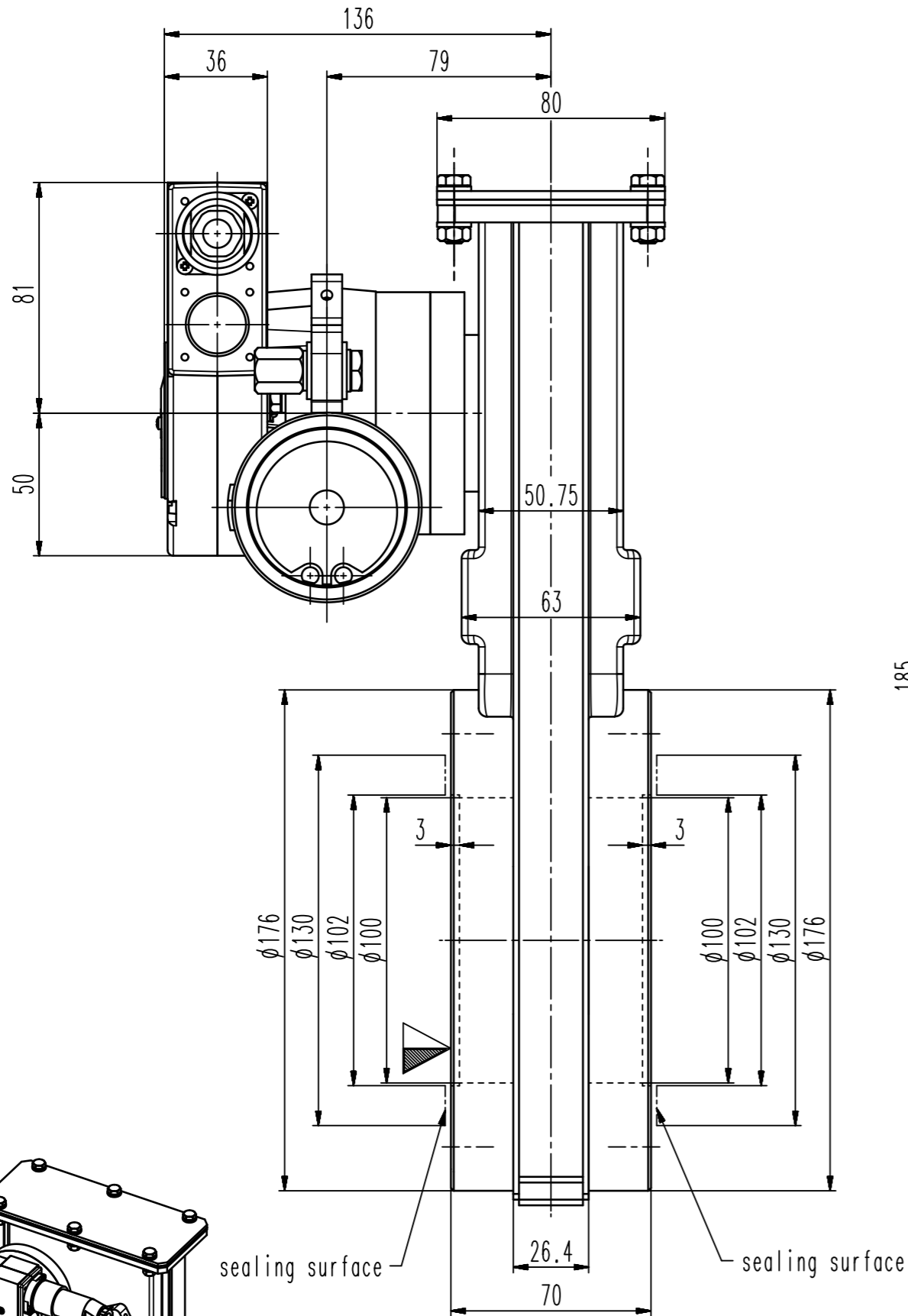


This drawing is the property of VAT.

Revision

Customer number



sealing surface

sealing surface

- ▼ Seat side
- ⊙ Comp. air connection
- ⊙ Electrical connection
- ⊙ Leak detection port
- ⊙ Mech. pos. indication
- ⊙ Position indicator
- ⊙ Required for dismantling
- ⊙ Emergency actuation
- ⊙ For attachment
- ⊙ Bake-out area
- ⊙ Differential pumping port

HV gate valve



VAT Vakuumentile AG  
CH-9469 Haag, Switzerland  
Tel ++41 81 7716161 Fax ++41 81 7714830

Date: 27.07.00  
Name: WEW

Series	140	Ordering No.	14040-PE24-0006
Projection E	DN	Flange	ISO-F
	100		
Dimensional Drawing	214626	Rev.	A