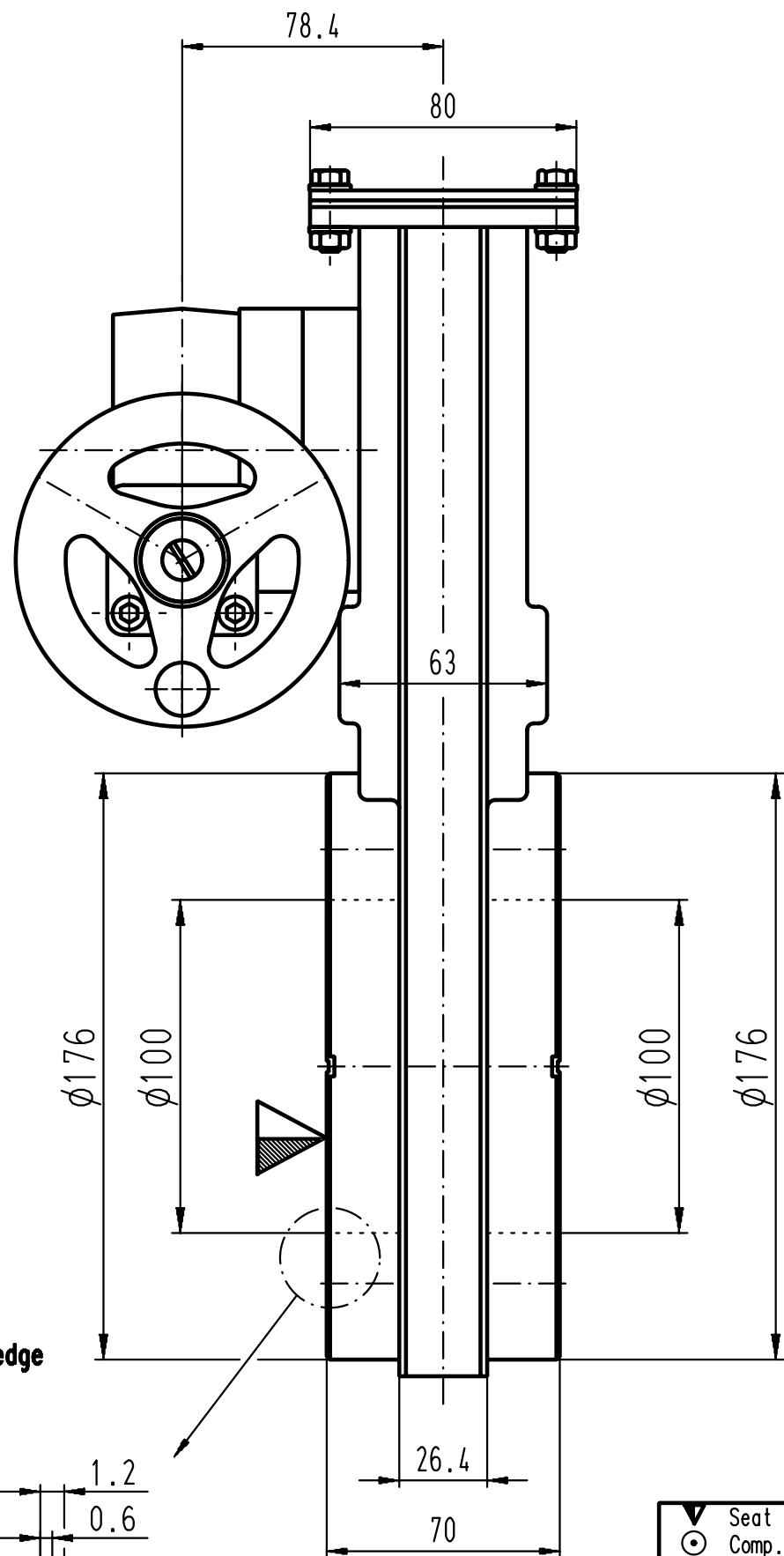
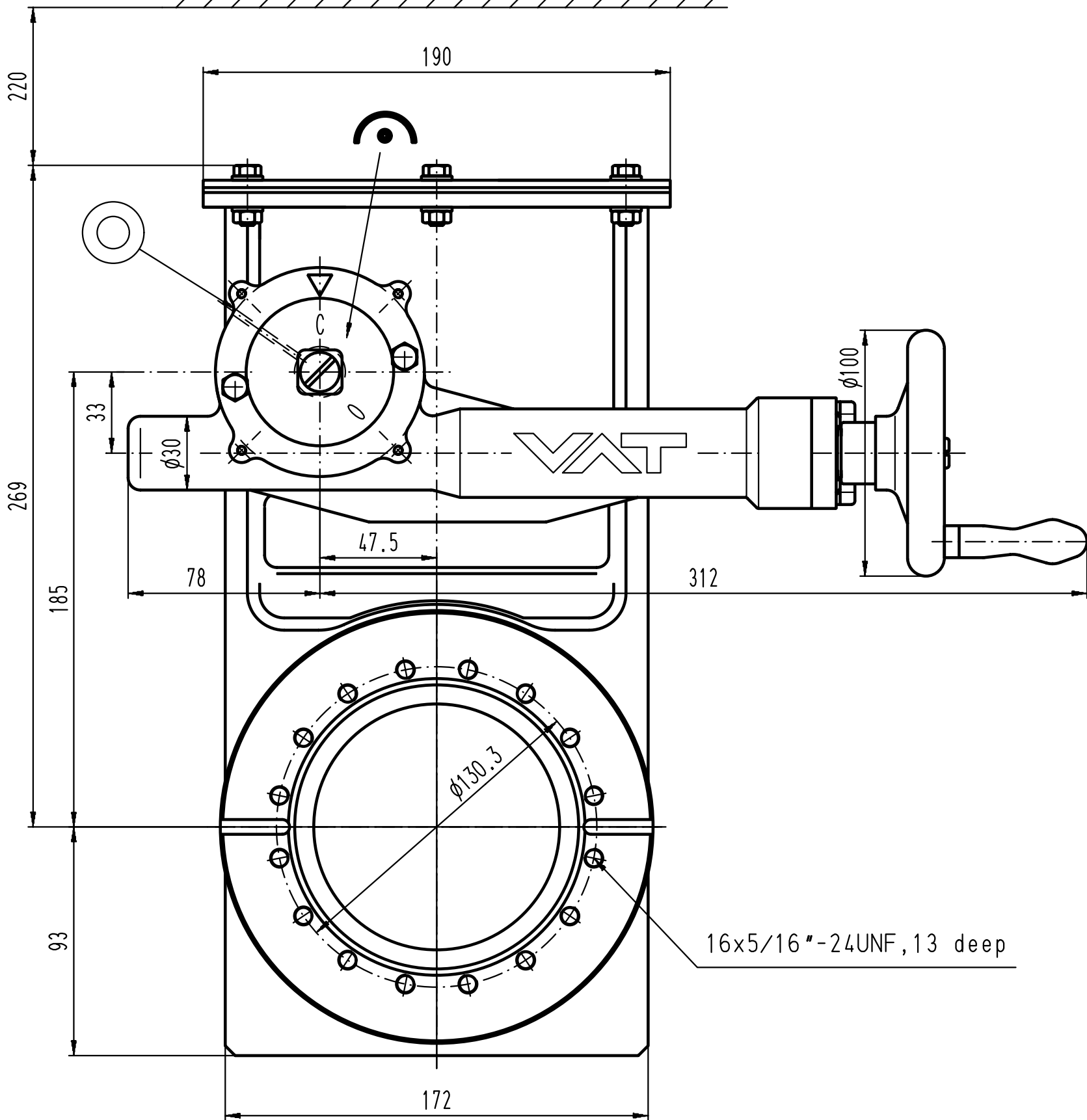
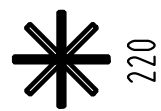


This drawing is the property of VAT.  
Without the written consent of VAT, it must  
not be copied or distributed to a third person



Detail  
Knife edge



Revision	Code	Date	Name

- ▼ Seat side
- ⊙ Comp. air connection
- ⊕ Electrical connection
- ⊖ Leak detection port
- ⊗ Mech. pos. indication
- ⊘ Position indicator
- ⊙\* Required for dismantling
- ⊙ Emergency actuation
- ⊙ For attachment
- ⊙ Bake-out area
- ⊙ Differential pumping port

### HV Gate Valve

manual actuator, hand wheel



**VAT Vakuumventile AG**  
CH-9469 Haag, Switzerland  
Tel ++41 81 7716161 Fax ++41 81 7714830

Date: 23.05.2002  
Name: MCO

Series	14	Ordering No.	14040-UE01-0006
Projection E		DN	100
		Flange	CF-F UNF
Dimensional Drawing	230233	Rev.	