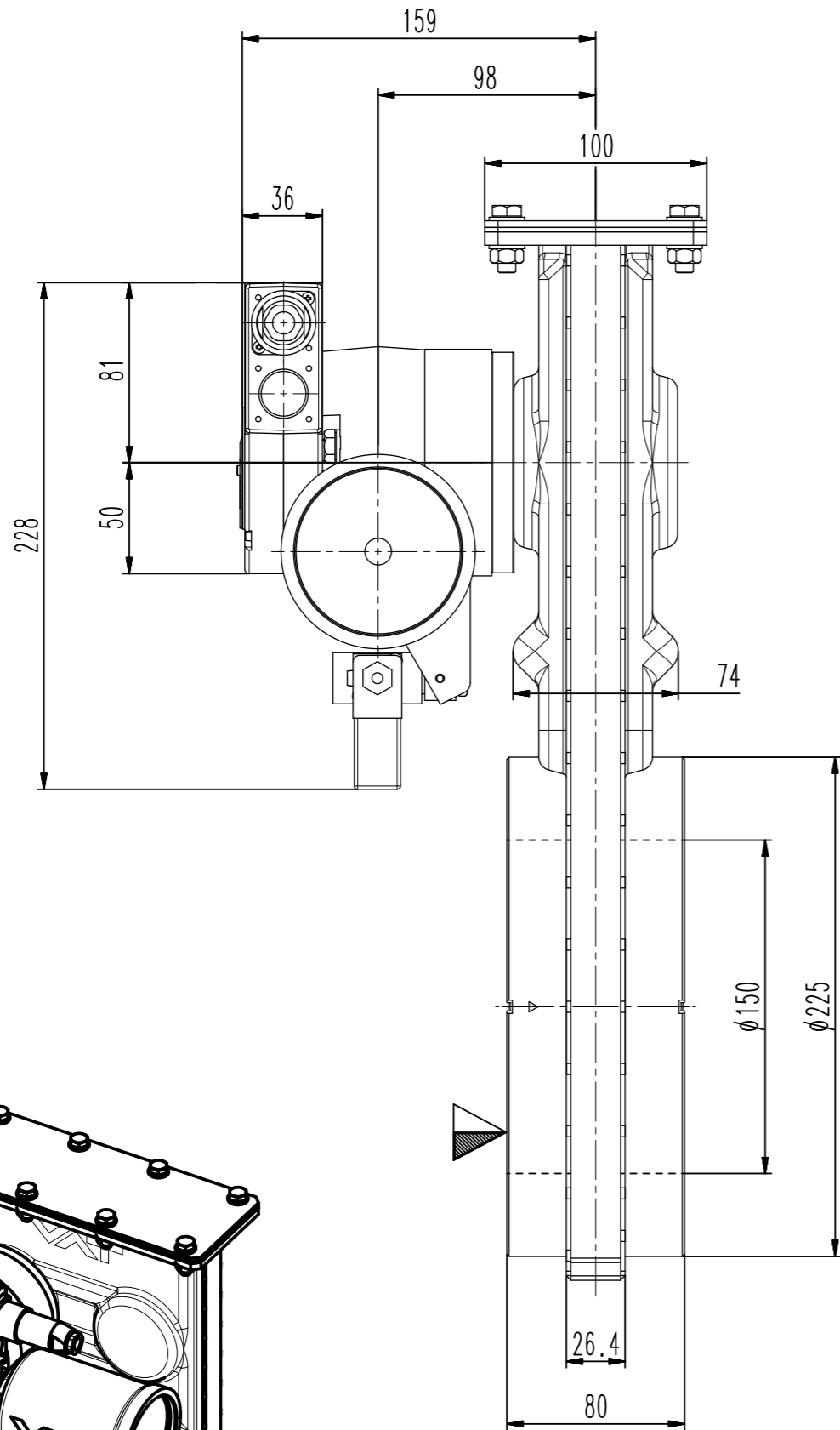
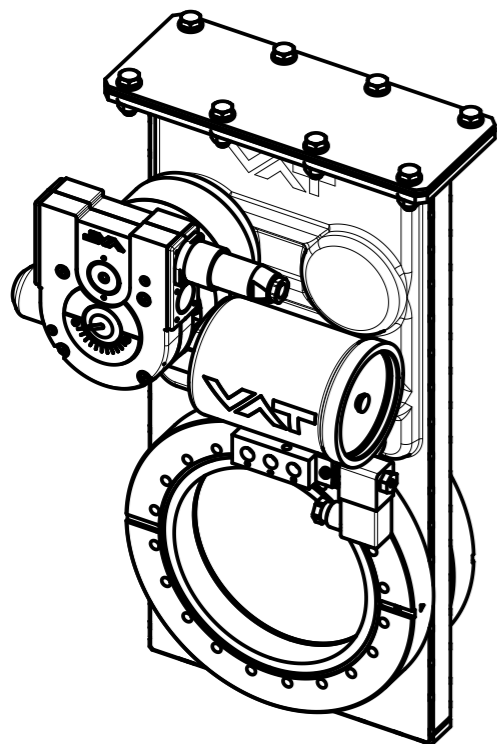


This drawing is the property of VAT.

Revision

Customer number



300

HV gate valve



VAT Vakuumventile AG

CH-9469 Haag, Switzerland  
Tel ++41 81 7716161 Fax ++41 81 7714830

Rev.-Date: 09.01.17

Visa: WEF

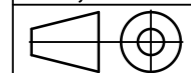
Series

140

Ordering No.

14044-CE44-0005

Projection E



DN

160

Flange

CF-F m

Dimensional Drawing

212721

Rev.

A

- ▼ Seat side
- ⊙ Comp. air connection
- ⊙ Electrical connection
- ⊙ Leak detection port
- ⊙ Mech. pos. indication
- ⊙ Position indicator
- ⊙ Required for dismantling
- ⊙ Emergency actuation
- ⊙ For attachment
- ⊙ Bake-out area
- ⊙ Differential pumping port

4-7bar, G1/8"  
(1/8"NPT for USA)

7pin  
Pg9

Pg9

20x M8  
13 deep