



VAT Vakuumventile AG
CH-9469 Haag, Schweiz

Product data sheet

HV gate valve, Series 140, DN 160 (6")
Ordering No. 14044-JE48

Description

Flange	JIS 160
Actuator	Pneumatic, with 3-position actuator – with solenoid valve – with position indicator
Feedthrough	Rotary feedthrough

Technical data

Leak rate	– Valve body – Valve seat	$< 1 \cdot 10^{-9}$ mbar ls ⁻¹ $< 1 \cdot 10^{-9}$ mbar ls ⁻¹
Pressure range		$1 \cdot 10^{-8}$ mbar to 2 bar (abs)
Differential pressure on the gate		≤ 2 bar
Differential pressure at opening		≤ 30 mbar
Conductance (molecular flow)	– Nominal – Min. adjustable	5'150 ls ⁻¹ 7.5 ls ⁻¹
Cycles until first service	– Unheated and under clean conditions	200'000
Temperature (Maximum values: depending on operating conditions and sealing materials)	– Valve body – Actuator – Solenoid – Position indicator	≤ 150 °C ≤ 50 °C ≤ 50 °C ≤ 80 °C
Heating and cooling rate		50 °C h ⁻¹
Material (main components)	– Valve body – Mechanism	AISI 304 (1.4301) AISI 304 (1.4301), AISI 301 (1.4310) AISI 316L (1.4404)
Seal	– Bonnet – Gate – Actuator	FKM (Viton®), vulcanized FKM (Viton®), O-ring FKM (Viton®), NBR
Mounting position		any
Volume of pneumatic actuator		0.96 l / 0.034 ft ³
Compressed air min. – max. overpressure		4 – 7 bar / 58 – 102 psi
Compressed air connection		G $\frac{1}{8}$ " ($\frac{1}{8}$ " NPT for USA)
Actuation time	– closing – opening	≤ 3.5 s ≤ 3.5 s
Weight		30 kg / 66 lbs

Created by: NIW	Release date: 31.10.2020	1/2
Modified by:	Release date:	1061602EA



VAT Vakuumventile AG
CH-9469 Haag, Schweiz

Product data sheet

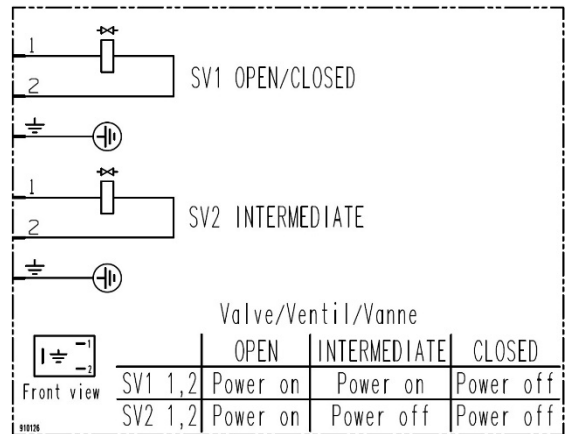
HV gate valve, Series 140, DN 160 (6")
Ordering No. 14044-JE48

Behavior in case of compressed air pressure drop	– Valve closed – Valve open – Middle position	valve remains closed undefined undefined
Behavior in case of power failure	– Valve closed – Valve open – Middle position	valve remains closed valve closes valve closes
Valve position indication		visual (mechanical)

Electrical connections

Solenoid valve (2x)

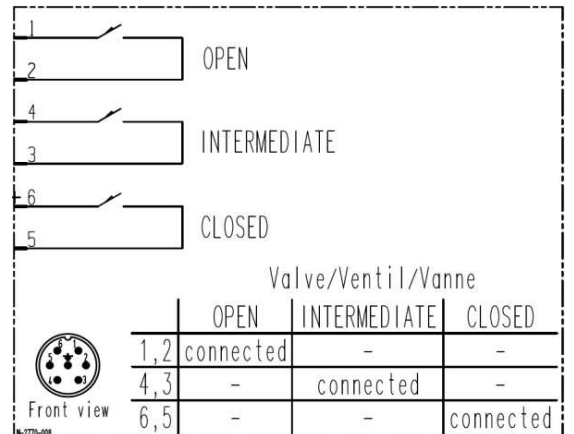
Type	5/2 way
Voltage	Defined by order
Power consumption	2.5 W



Wiring diagram

Position indicator

Type	Micro switch
Voltage	≤ 250 V AC ≤ 50 V DC
Current max.	≤ 5 A ≤ 3 A



Wiring diagram