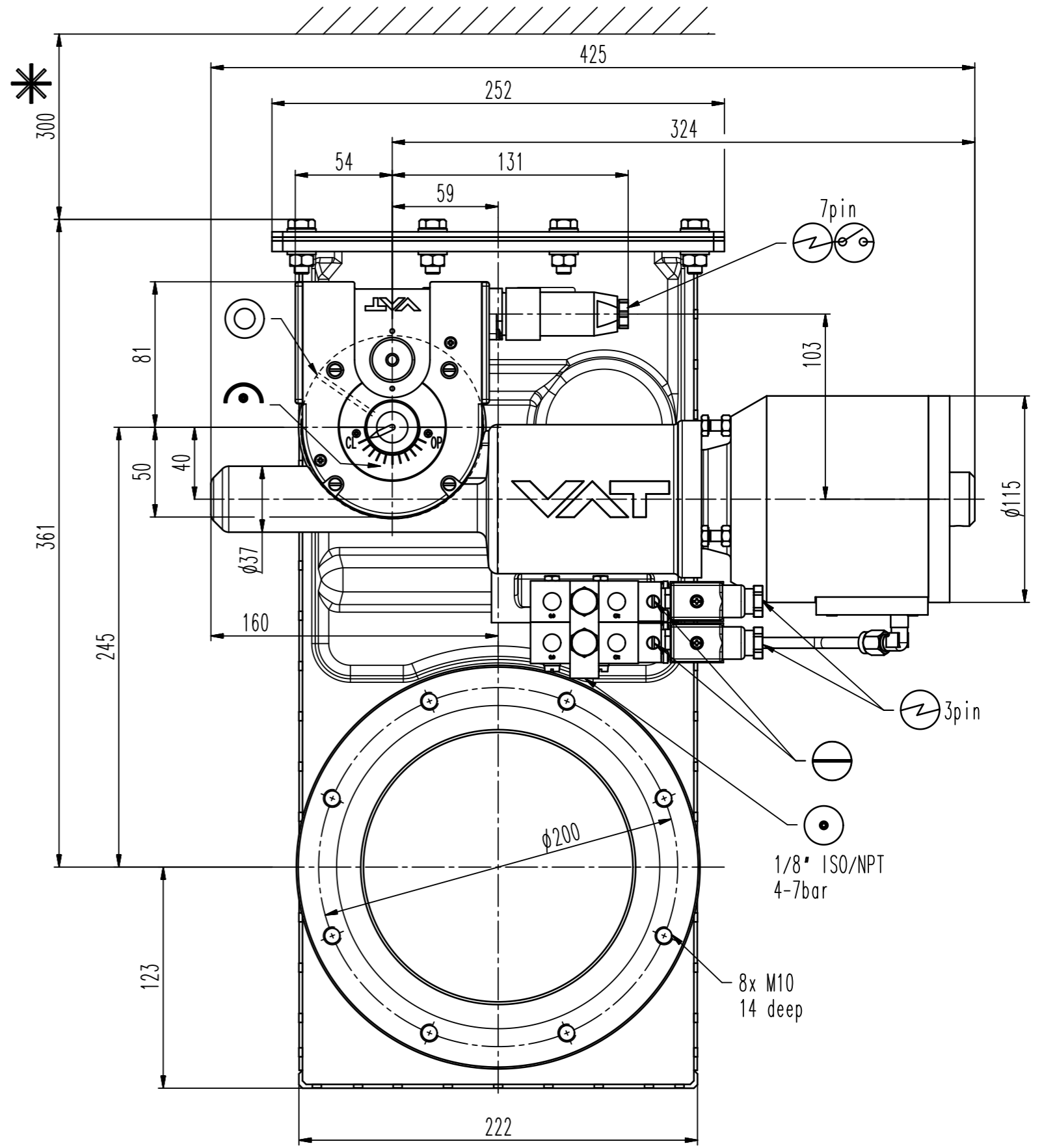
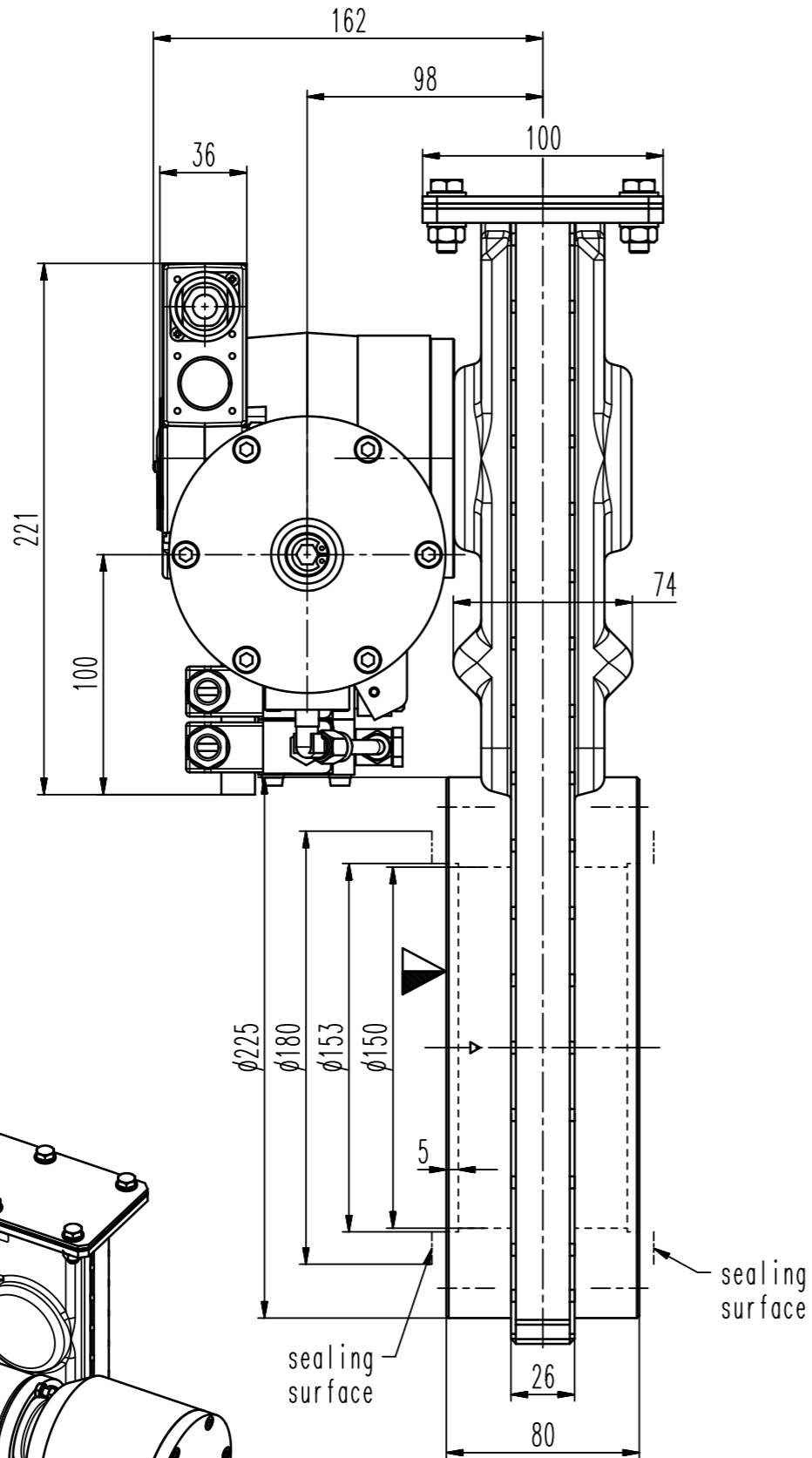
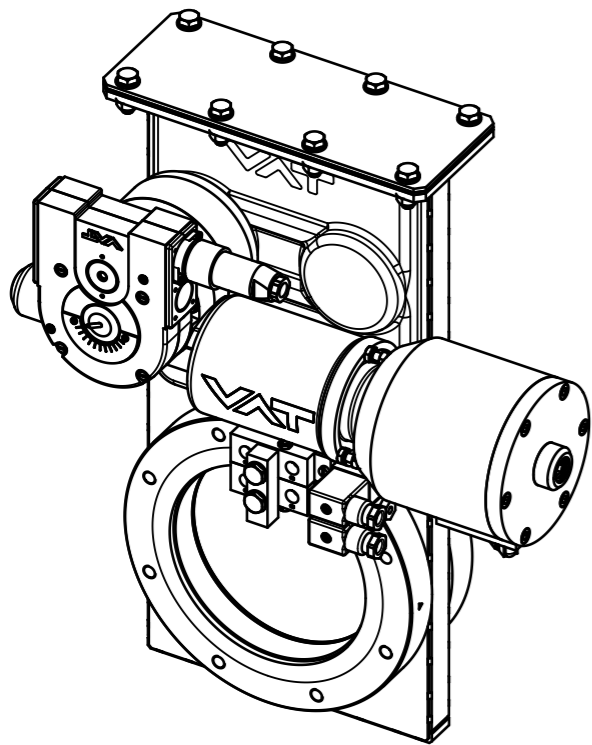


This drawing is the property of VAT.

Revision

Customer number



- ▼ Seat side
- ⊙ Comp. air connection
- ⊕ Electrical connection
- ⊙ Leak detection port
- ⊕ Mech. pos. indication
- ⊙ Position indicator
- ✳ Required for dismantling
- ⊕ Emergency actuation
- ⊙ For attachment
- ⊕ Bake-out area
- ⊙ Differential pumping port

HV gate valve



VAT Vakuumventile AG
CH-9469 Haag, Switzerland
Tel ++41 81 7716161 Fax ++41 81 7714830

Rev.-Date: 09.08.16
Visa: WEF

Series	140	Ordering No.	14044-PE48-0001
Projection E	DN	Flange	ISO-F
	160		
Dimensional Drawing		855268	Rev.