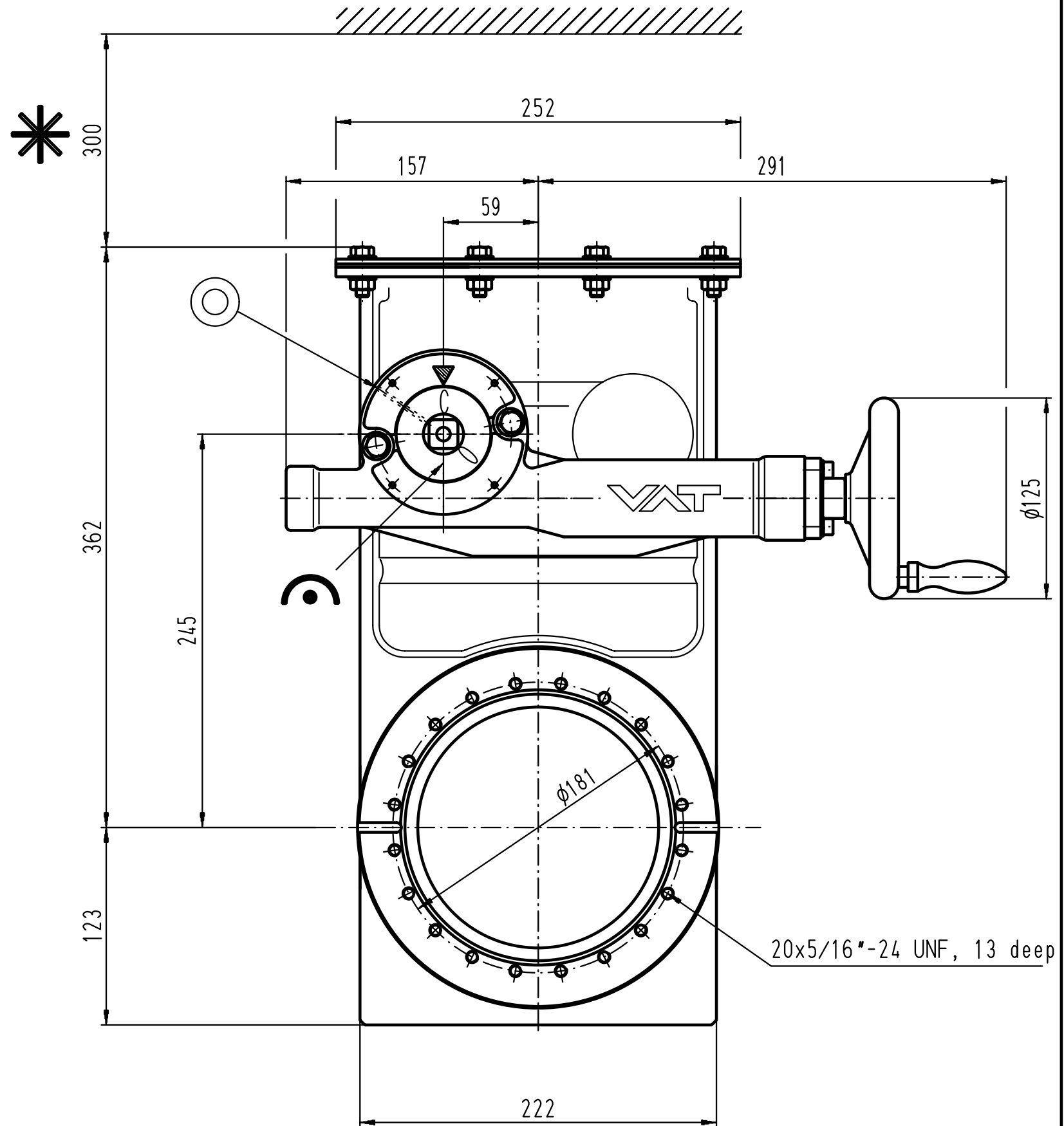
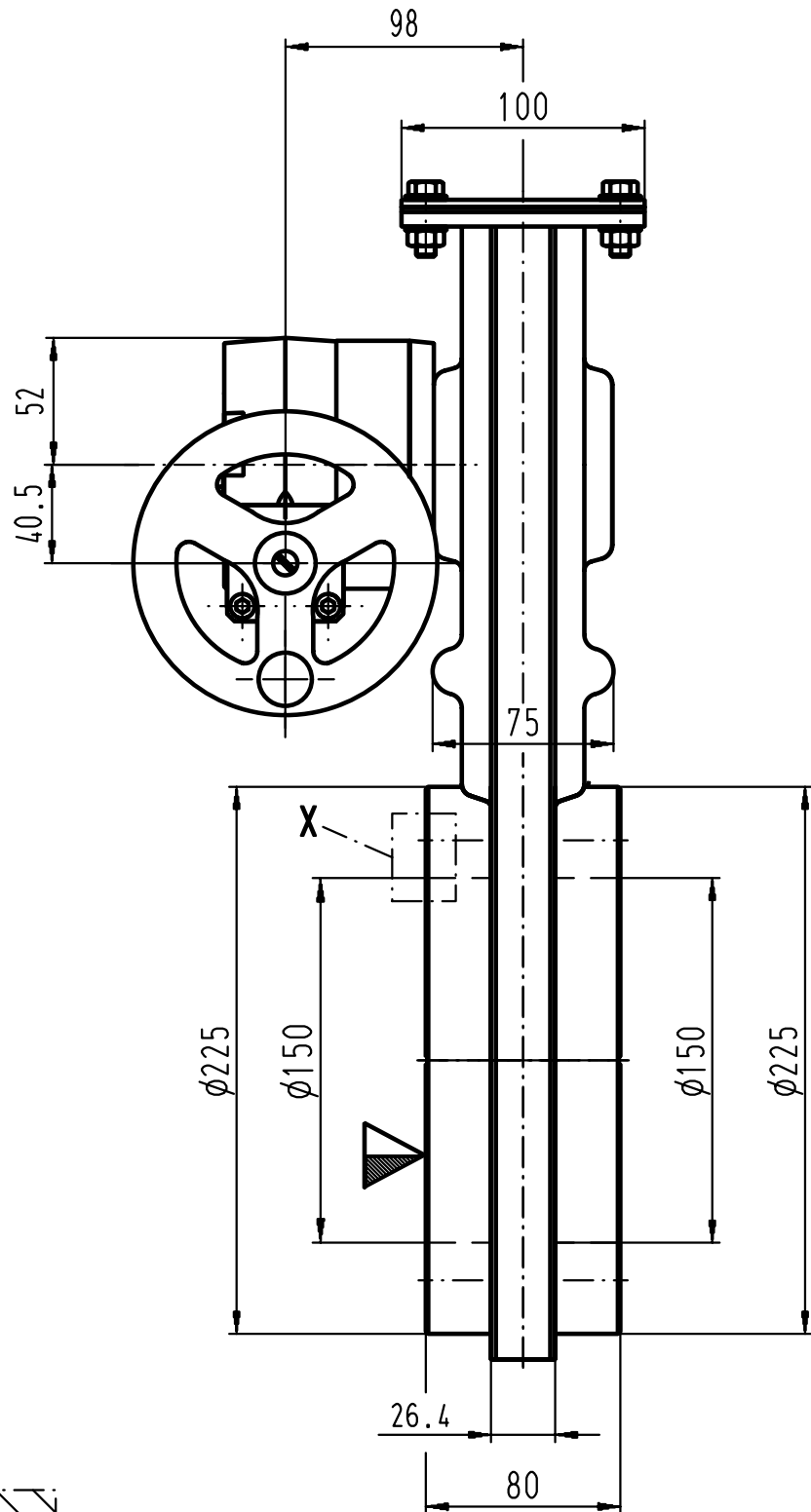
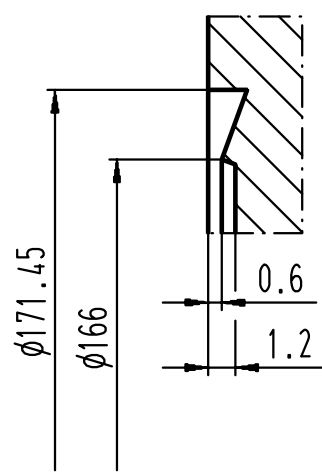


This drawing is the property of VAT.
Without the written consent of VAT, it must
not be copied or distributed to a third person

Revision	
Code	
Date	
Name	

Detail X
Knife edge



- ▼ Seat side
- ⊙ Comp. air connection
- ⊙ Electrical connection
- ⊙ Leak detection port
- ⊙ Mech. pos. indication
- ⊙ Position indicator
- ⊙ Required for dismantling
- ⊙ Emergency actuation
- ⊙ For attachment
- ⊙ Bake-out area
- ⊙ Differential pumping port

HV Gate Valve
manual actuator, wheel



VAT Vakuumventile AG
CH-9469 Haag, Switzerland
Tel ++41 81 7716161 Fax ++41 81 7714830

Date: 25.03.2002
Name: MCO

Series	14	Ordering No.	14044-UE01-0005
Projection E		DN	160
		Flange	CF-F UNF
Dimensional Drawing	228695	Rev.	