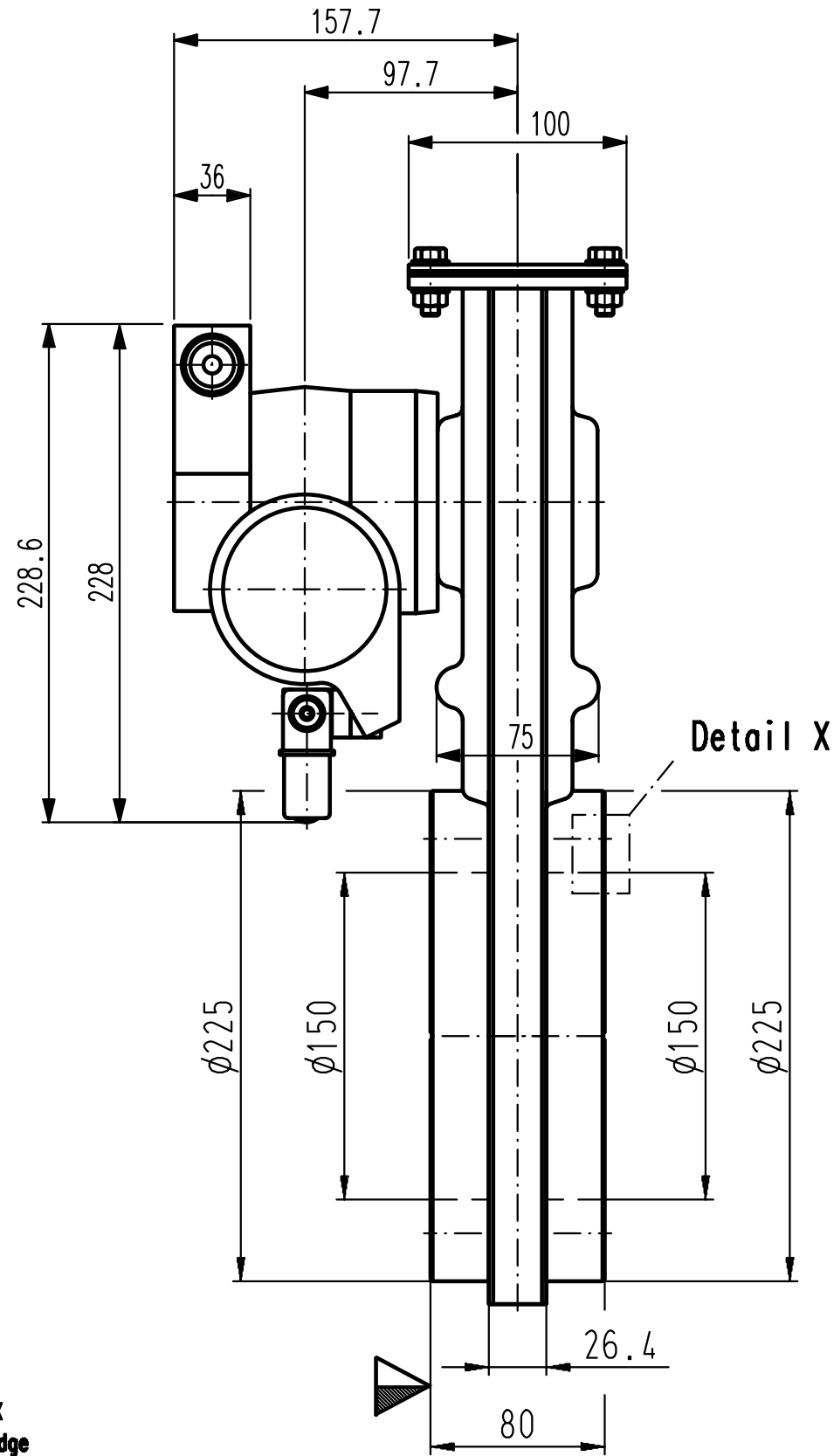
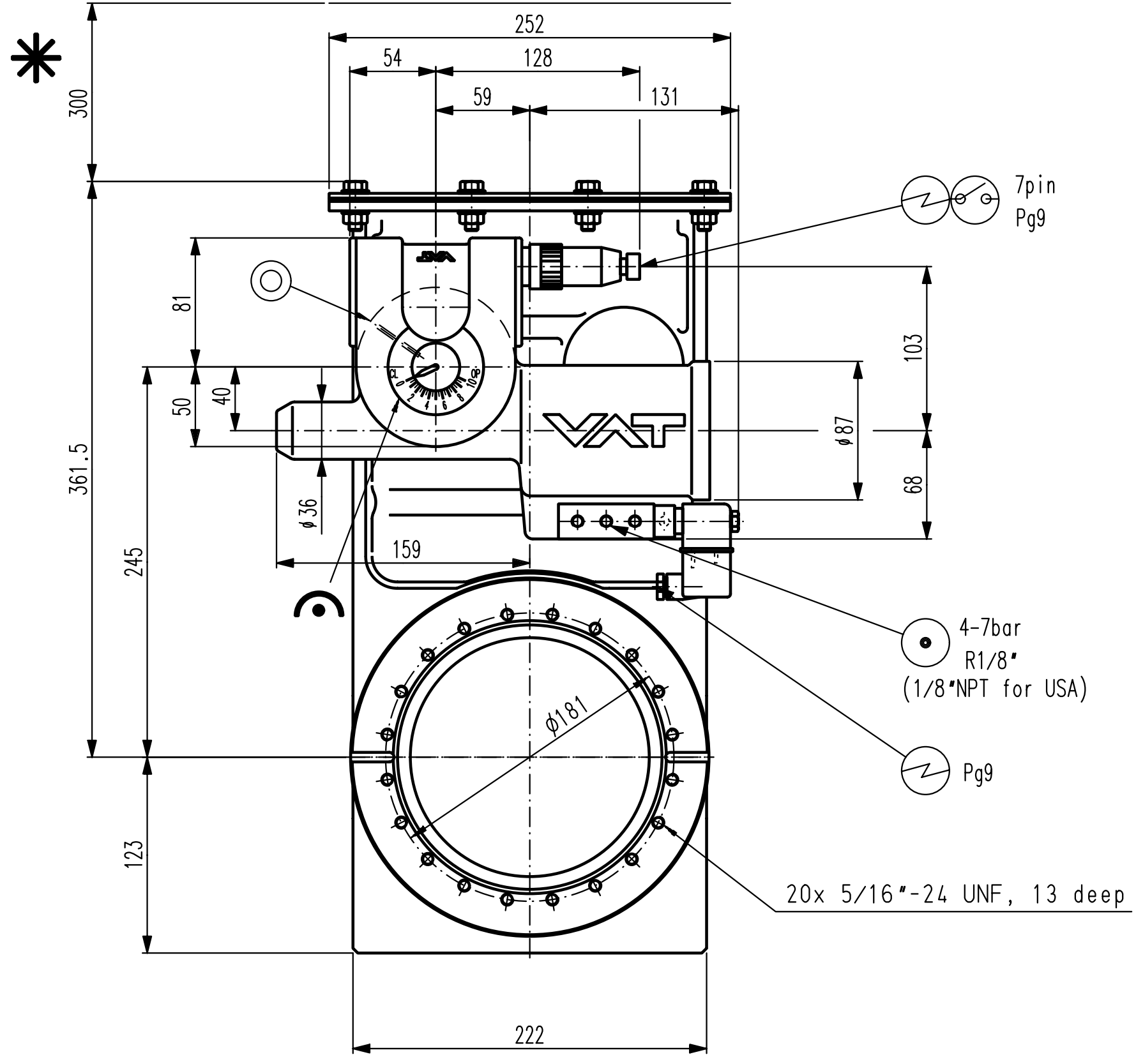
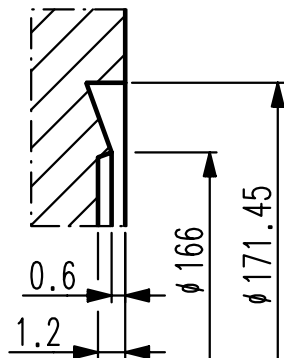


This drawing is the property of VAT.
Without the written consent of VAT, it must
not be copied or distributed to a third person



Detail X

Detail X
Knife edge



7pin
Pg9

4-7bar
R1/8"
(1/8"NPT for USA)

Pg9

20x 5/16"-24 UNF, 13 deep

Revision	Code	Date	Name

- ▼ Seat side
- Comp. air connection
- ⊕ Electrical connection
- ⊖ Leak detection port
- ⊙ Mech. pos. indication
- ⊙ Position indicator
- ⊙ Required for dismantling
- ⊙ Emergency actuation
- ⊙ For attachment
- ⊙ Bake-out area
- ⊙ Differential pumping port

HV Gate Valve

pneumatic actuator



VAT Vakuumventile AG
CH-9469 Haag, Switzerland
Tel ++41 81 7716161 Fax ++41 81 7714830

Date: 29.01.03
Name: FRP

Series	14	Ordering No.	14044-UE44-0005
Projection E		DN	160
		Flange	CF-F UNF
Dimensional Drawing	236382	Rev.	