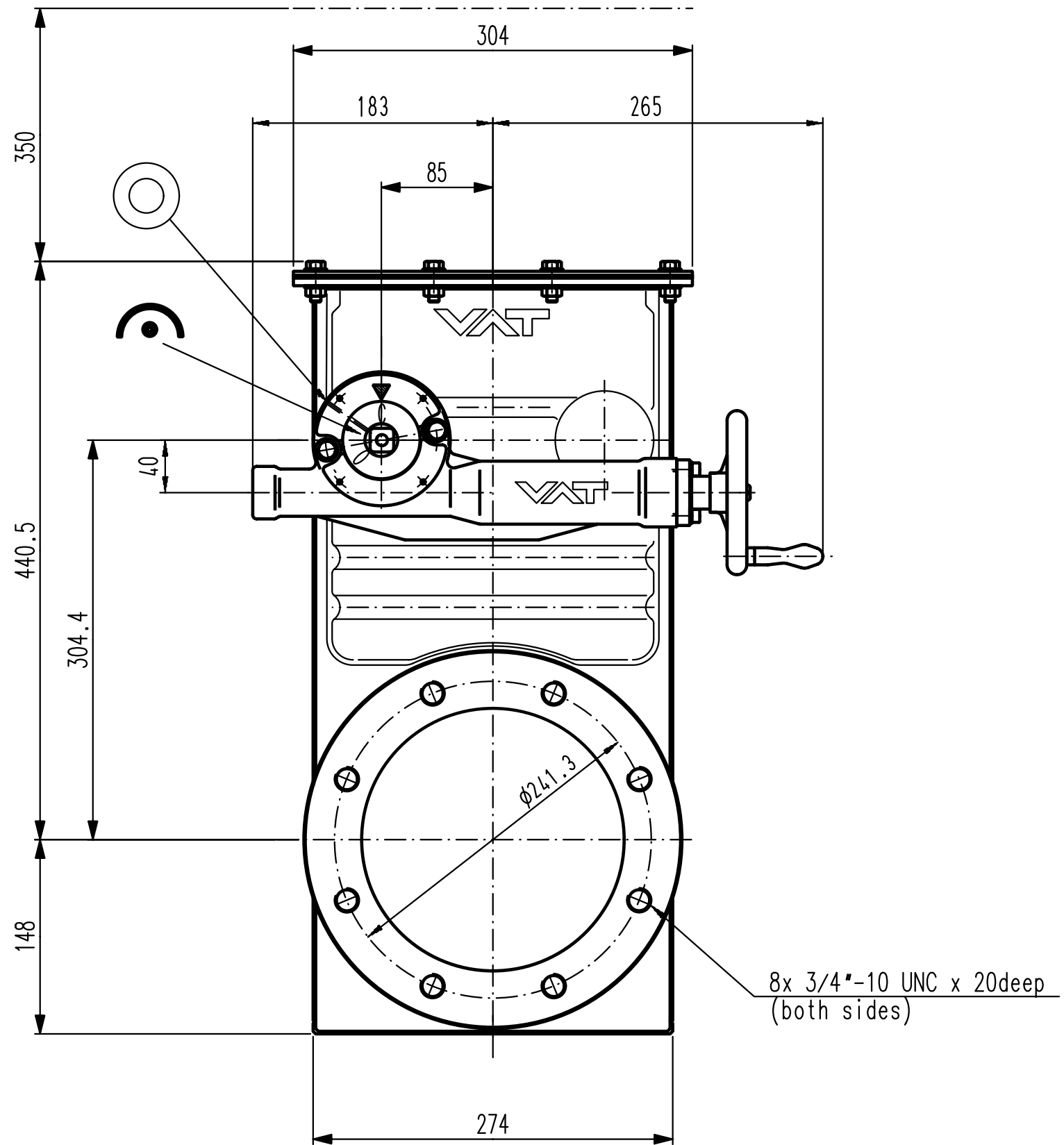
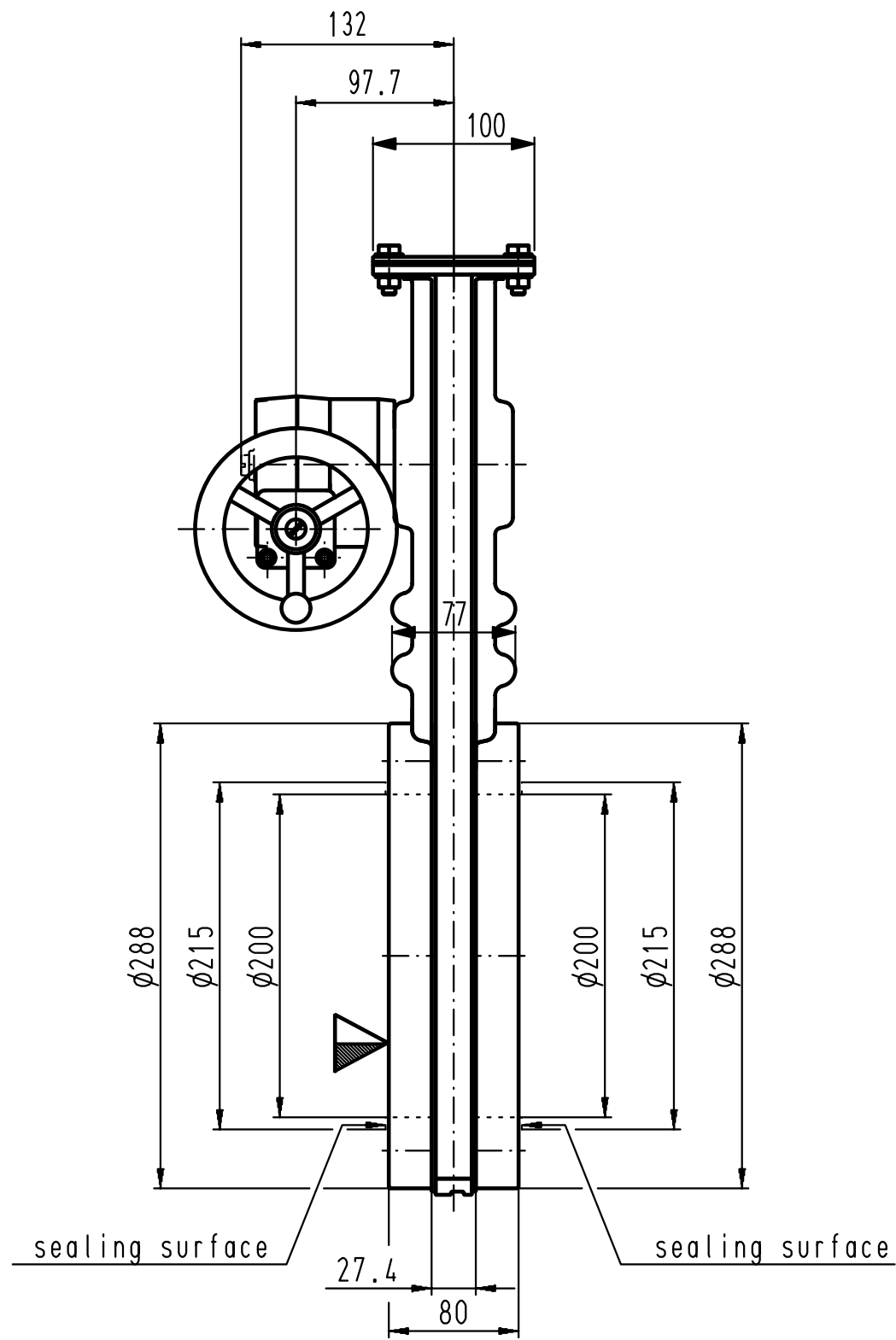


This drawing is the property of VAT.
Without the written consent of VAT, it must
not be copied or distributed to a third person



Revision	A
Code	
Date	25.07.03
Name	FRP

- ▼ Seat side
- ⊙ Comp. air connection
- ⊙ Electrical connection
- ⊙ Leak detection port
- ⊙ Mech. pos. indication
- ⊙ Position indicator
- ⊙ Required for dismantling
- ⊙ Emergency actuation
- ⊙ For attachment
- ⊙ Bake-out area
- ⊙ Differential pumping port

HV Gate Valve

manual actuator, hand wheel



VAT Vakuumventile AG
CH-9469 Haag, Switzerland
Tel ++41 81 7716161 Fax ++41 81 7714830

Date: 24.04.03
Name: FRP

Series	14	Ordering No.	14046-TE01-0006
Projection E		DN	200
Flange			ASA-LP
Dimensional Drawing		238857	Rev. A