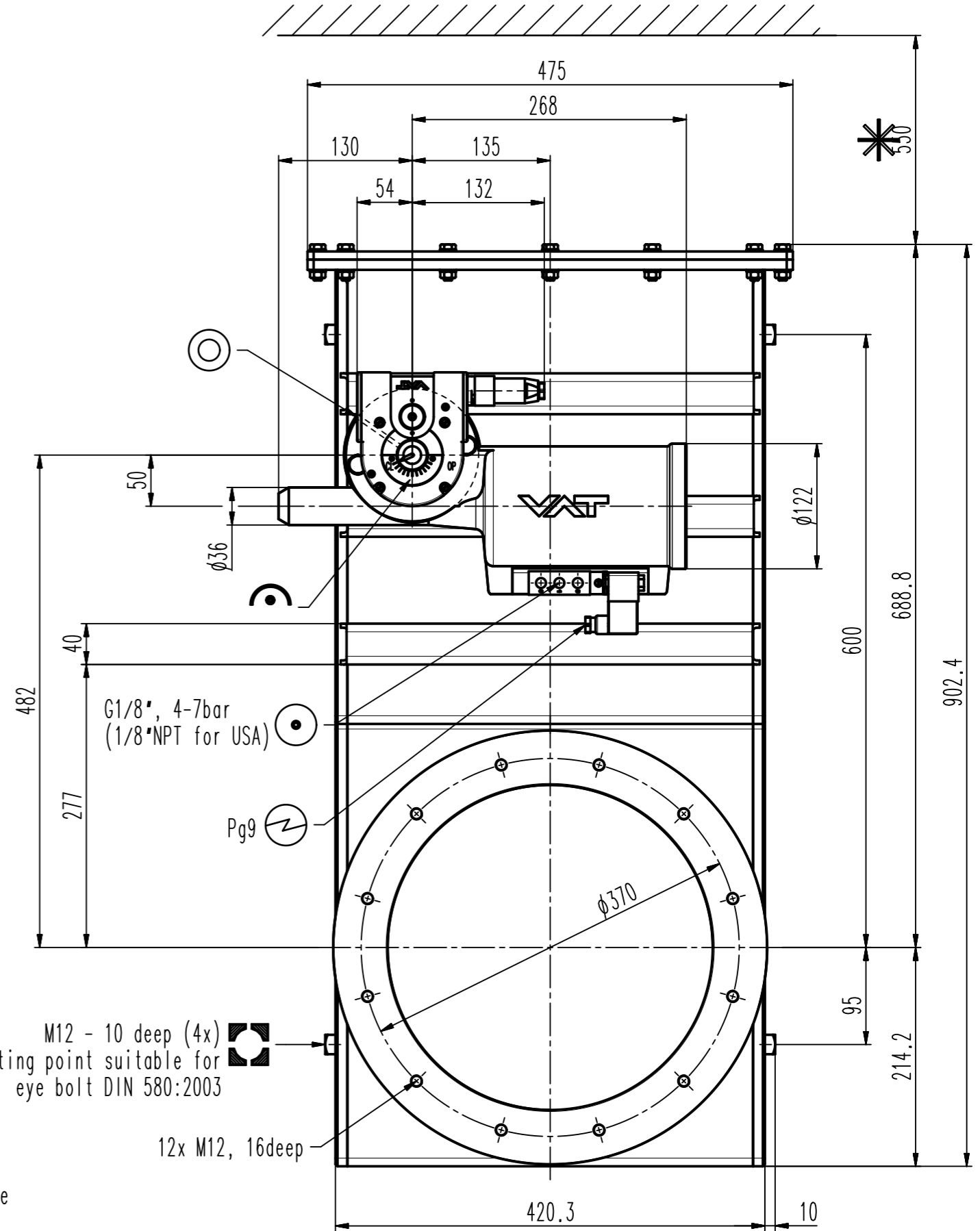


sealing surface

sealing surface



G1/8", 4-7bar  
(1/8"NPT for USA)



M12 - 10 deep (4x)  
Lifting point suitable for  
eye bolt DIN 580:2003

12x M12, 16deep

- ▼ Seat side
- ⊙ Comp. air connection
- ⊕ Electrical connection
- ⊖ Leak detection port
- ⊙ Mech. pos. indication
- ⊙ Position indicator
- ⊙ Required for dismantling
- ⊙ Emergency actuation
- ⊙ For attachment
- ⊙ Bake-out area
- ⊙ Differential pumping port

### HV gate valve



VAT Vakuumventile AG  
CH-9469 Haag, Switzerland  
Tel ++41 81 7716161 Fax ++41 81 7714830

Rev.-Date: 16.07.03  
Visa: FRP

Series	140	Ordering No.	14050-JE44-0009
Projection E	DN	Flange	JIS
	320	Rev.	241394
Dimensional Drawing			