



VAT Vakuumventile AG  
CH-9469 Haag, Schweiz

## Product data sheet

**HV gate valve, Series 141, DN 320 (ID 12'')**  
**Ordering No. 14150-JE44**

### Description

Flange	JIS 320
Actuator	pneumatic, double acting <ul style="list-style-type: none"><li>- with position indicator</li><li>- with solenoid</li></ul>
Feedthrough	Rotary

### Technical data

Leak rate	- Valve body	$< 1 \cdot 10^{-9}$ mbar ls <sup>-1</sup>
	- Valve seat	$< 1 \cdot 10^{-9}$ mbar ls <sup>-1</sup>
Pressure range		$1 \cdot 10^{-8}$ mbar to 1.2 bar (abs)
Differential pressure on the plate		$\leq 1.2$ bar
Differential pressure at opening		$\leq 30$ mbar
Conductance (molecular flow)	JIS	29 130 ls <sup>-1</sup>
Cycles until first service		200 000 (unheated and under clean conditions)
Temperature	- Valve Body	$\leq 150$ °C
(Maximum values: depending on operating conditions and sealing materials)	- Actuator	$\leq 80$ °C
Heating and cooling rate		50 °C h <sup>-1</sup>
Material (main components)	- Valve Body	AISI 304 (1.4301)
	- Mechanism	AISI 304 (1.4301)
Seal	- Bonnet	FKM (Viton®)
	- Gate	FKM (Viton®), vulcanized
	- Actuator	FKM (Viton®), NBR
Mounting position		Any
Volume of pneumatic actuator		0.75 l / 0.010 ft <sup>3</sup>
Compressed air min. – max. overpressure		4 – 7 bar / 58 – 102 psi
Compressed air connection		R 1/8" (1/8" NPT for USA)
Actuation time	- closing	4.0 s
	- opening	4.0 s
Weight		112 kg / 246 lbs

Created by: LOO	Release date: 2013-02-06	1 of 2
Modified by:	Release date:	<b>600443EAEA</b>



VAT Vakuumentile AG  
CH-9469 Haag, Schweiz

## Product data sheet

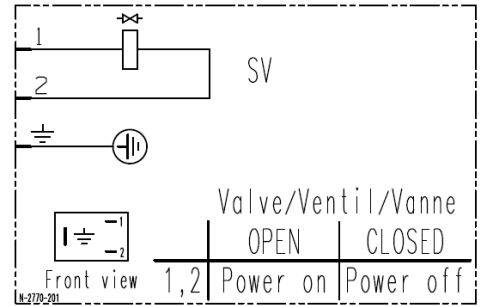
**HV gate valve, Series 141, DN 320 (ID 12'')**

**Ordering No. 14150-JE44**

### Electrical connections

#### Solenoid valve

Voltage 24 V DC <sup>1</sup>  
Power 2.5 W

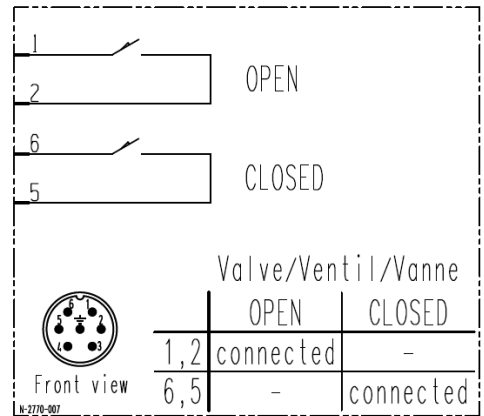


Wiring diagram

<sup>1</sup> others on request

#### Position indicator

Type Micro switch  
Voltage ≤ 250 V AC ≤ 50 V DC  
Current max. ≤ 5.0 A ≤ 3.0 A  
Overcurrent protection No



Wiring diagram