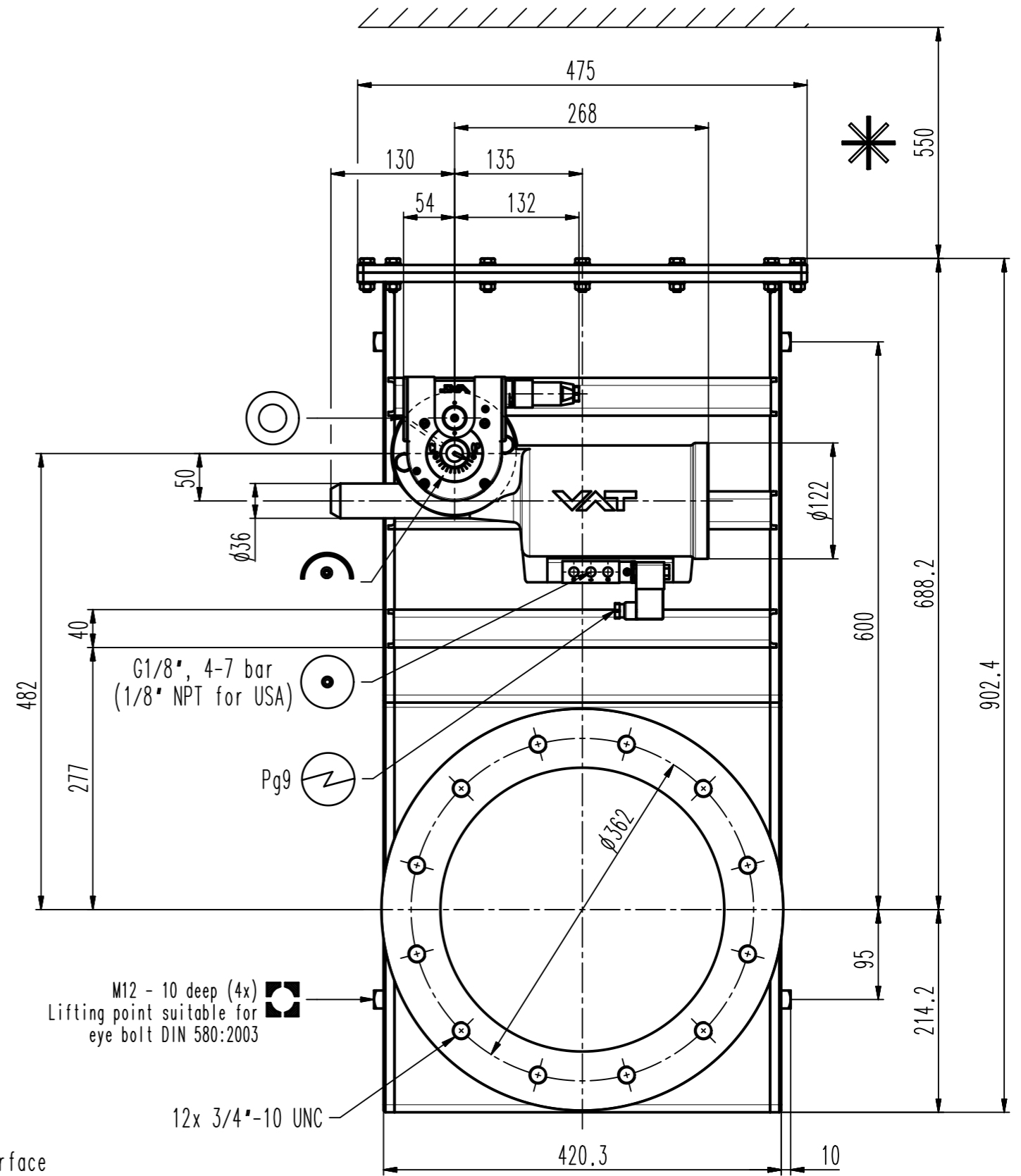
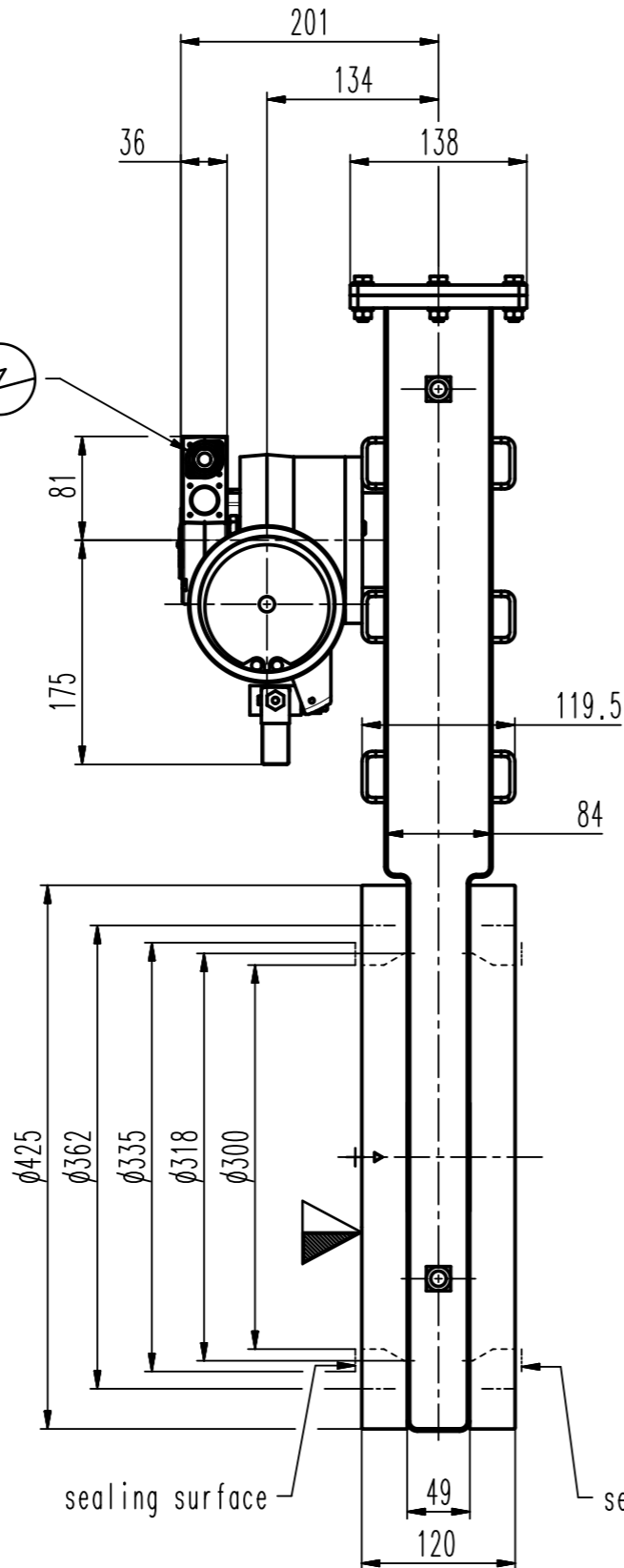


Pg9  
7 pin



- ▼ Seat side
- ⊙ Comp. air connection
- ⊙ Electrical connection
- ⊙ Leak detection port
- ⊙ Mech. pos. indication
- ⊙ Position indicator
- ⊙ Required for dismantling
- ⊙ Emergency actuation
- ⊙ For attachment
- ⊙ Bake-out area
- ⊙ Differential pumping port

HV gate valve



VAT Vakuumentile AG  
CH-9469 Haag, Switzerland  
Tel ++41 81 7716161 Fax ++41 81 7714830

Rev.-Date: 23.09.13  
Visa: MAEM

|                     |        |              |                 |
|---------------------|--------|--------------|-----------------|
| Series              | 140    | Ordering No. | 14050-TE44-0009 |
| Projection E        | DN     | Flange       | ASA-LP          |
|                     | 320    |              |                 |
| Dimensional Drawing | 243144 | Rev.         | A               |