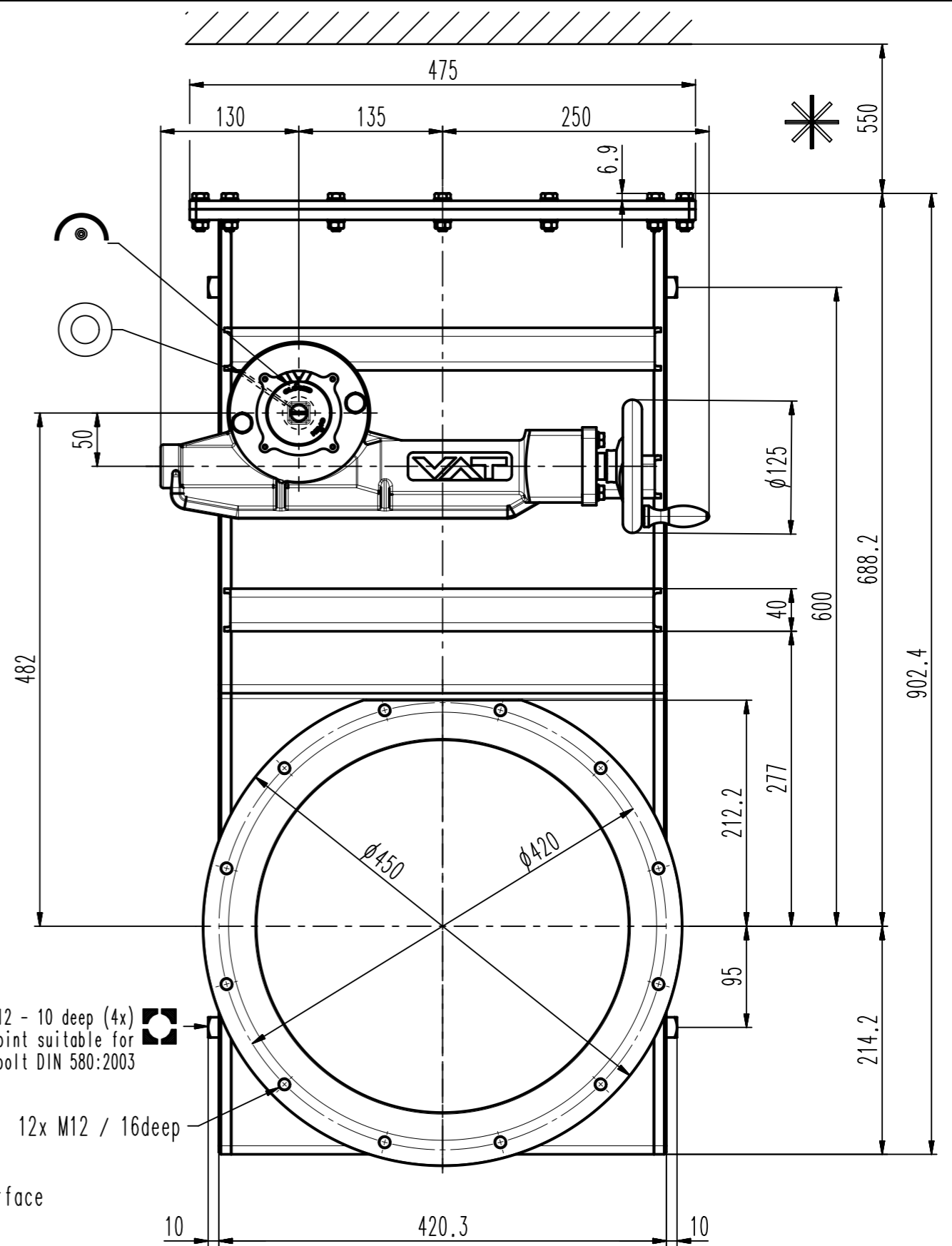


M12 - 10 deep (4x)
Lifting point suitable for
eye bolt DIN 580:2003

12x M12 / 16deep

sealing surface

sealing surface



- ▼ Seat side
- ⊙ Comp. air connection
- ⊙ Electrical connection
- ⊙ Leak detection port
- ⊙ Mech. pos. indication
- ⊙ Position indicator
- ⊙ Required for dismantling
- ⊙ Emergency actuation
- ⊙ For attachment
- ⊙ Bake-out area
- ⊙ Differential pumping port

HV gate valve



VAT Vakuumventile AG

CH-9469 Haag, Switzerland
Tel ++41 81 7716161 Fax ++41 81 7714830

Rev.-Date: 26.01.10

Visa: SCB

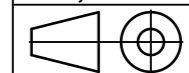
Series

140

Ordering No.

14051-JE01-0001

Projection E



DN

350

Flange

JIS

Dimensional
Drawing

432483

Rev.