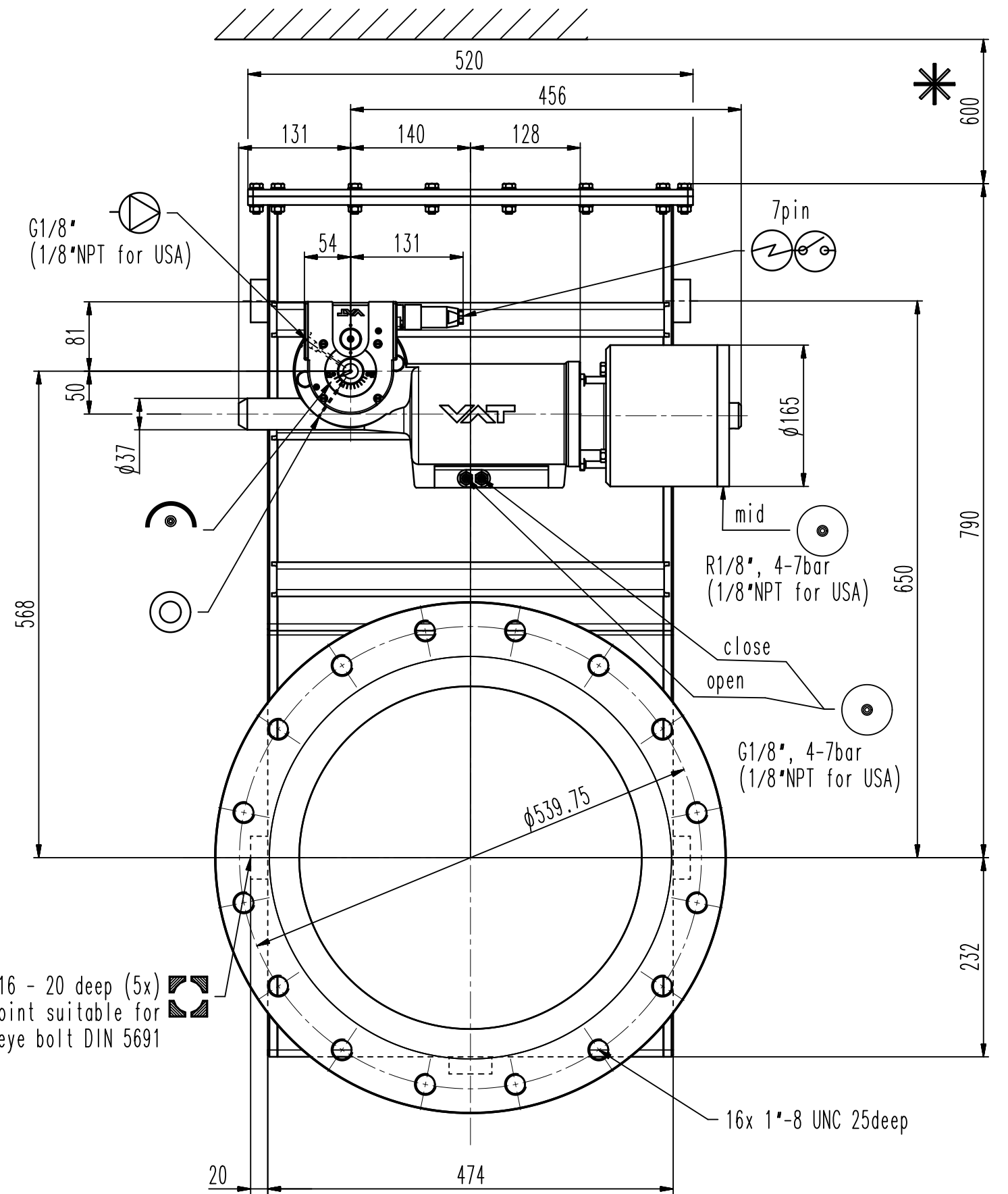
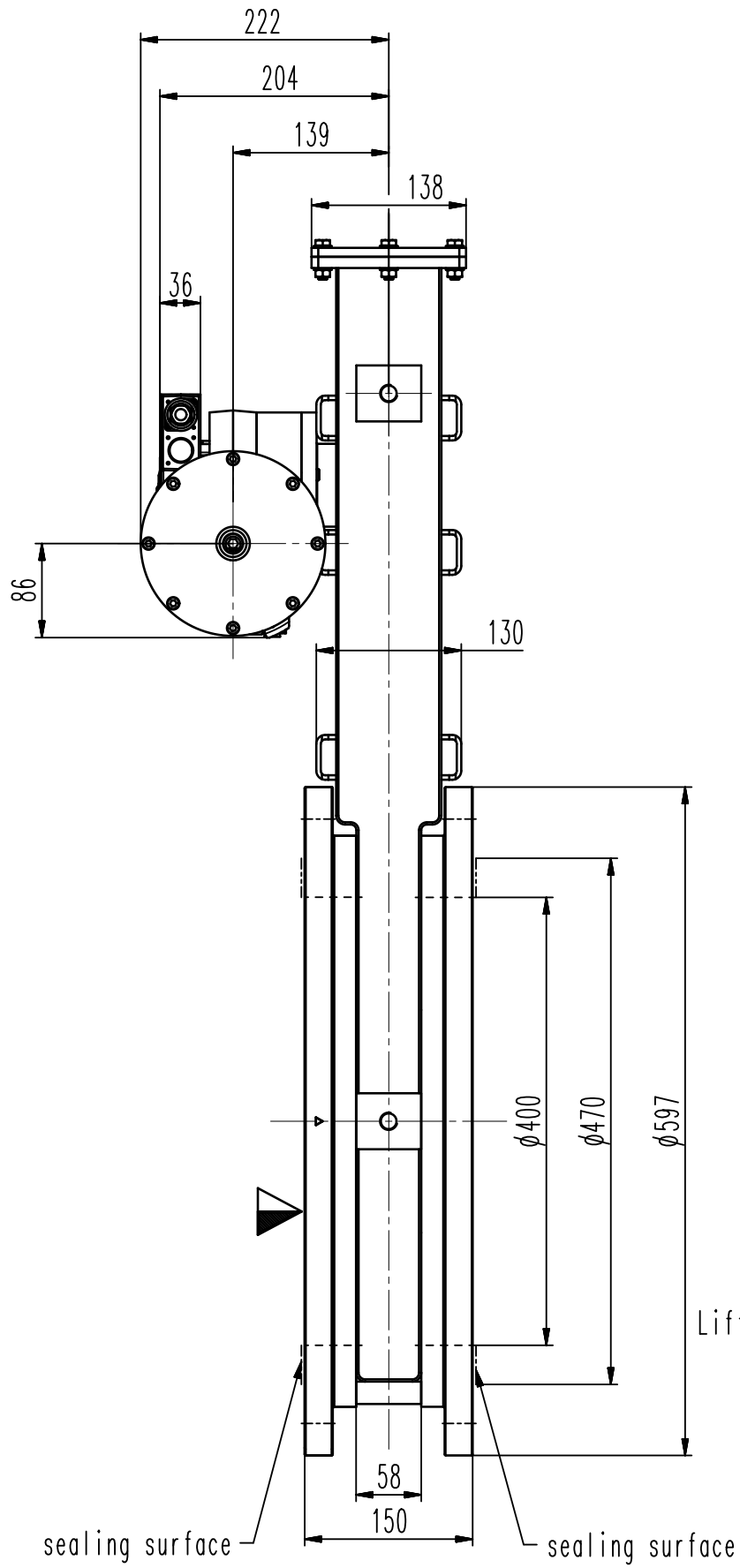
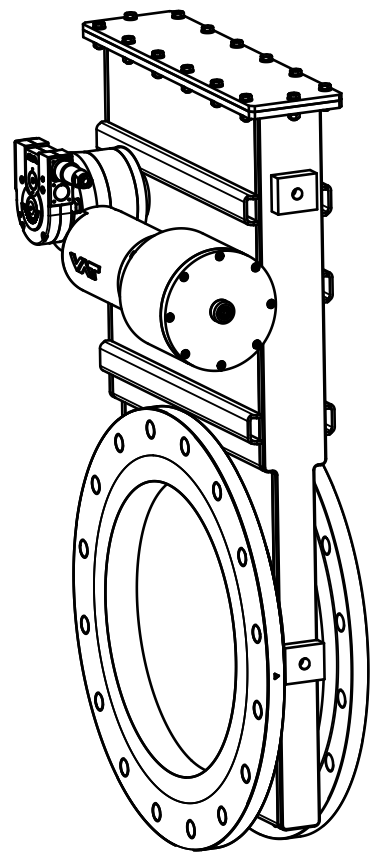


This drawing is the property of VAT.

Revision

Customer number



- ▼ Seat side
- ⊙ Comp. air connection
- ⊕ Electrical connection
- ⊗ Leak detection port
- ⊘ Mech. pos. indication
- ⊙ Position indicator
- ⊙\* Required for dismantling
- ⊙ Emergency actuation
- ⊙ For attachment
- ⊙ Bake-out area
- ⊙ Differential pumping port

### Control gate valve



VAT Vakuumventile AG

CH-9469 Haag, Switzerland  
Tel ++41 81 7716161 Fax ++41 81 7714830

Rev.-Date: 05.09.17

Visa: KMU

Series	140	Ordering No.	14052-AE28-0001
Projection E	DN	Flange	
	400	ASA-150	
Dimensional Drawing	908902	Rev.	