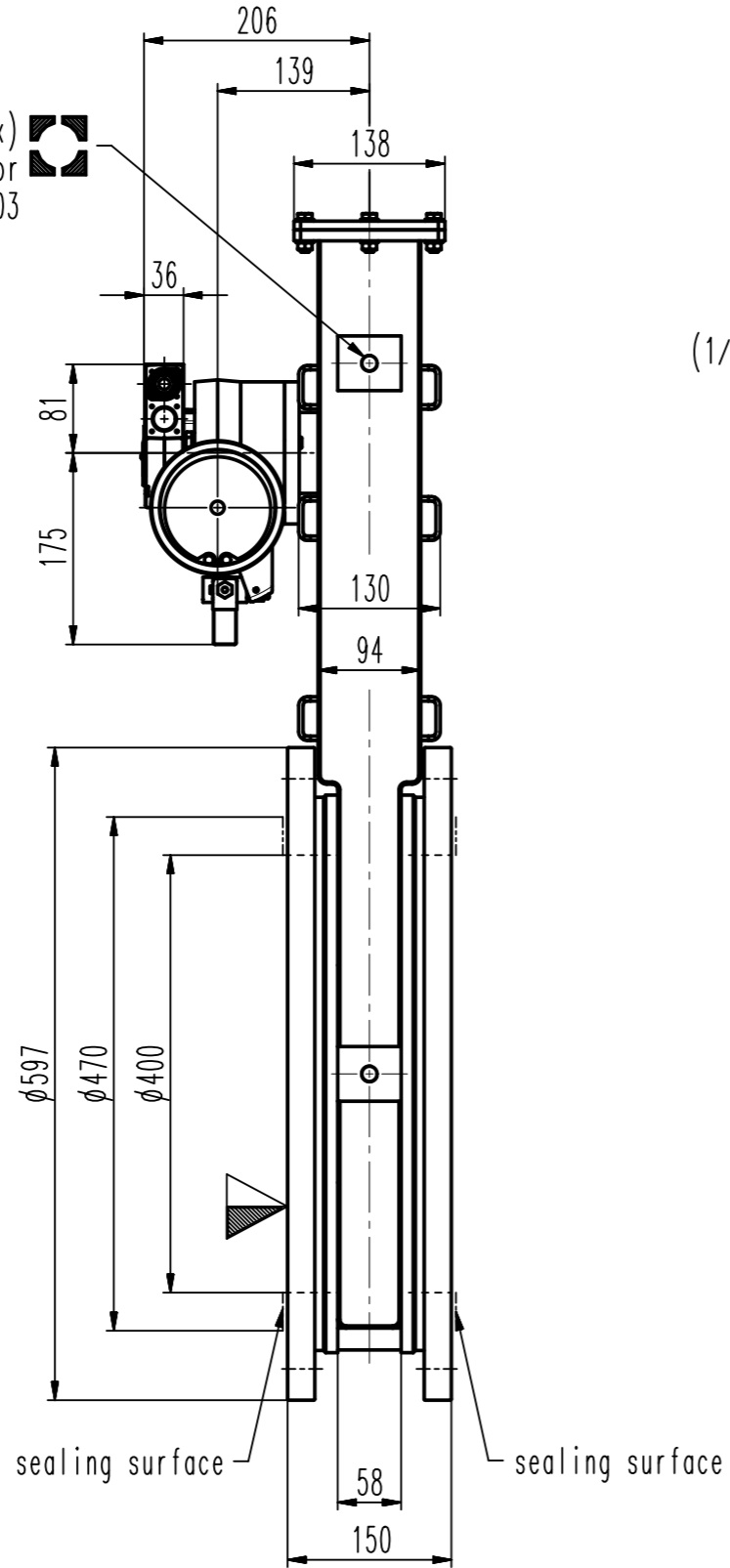
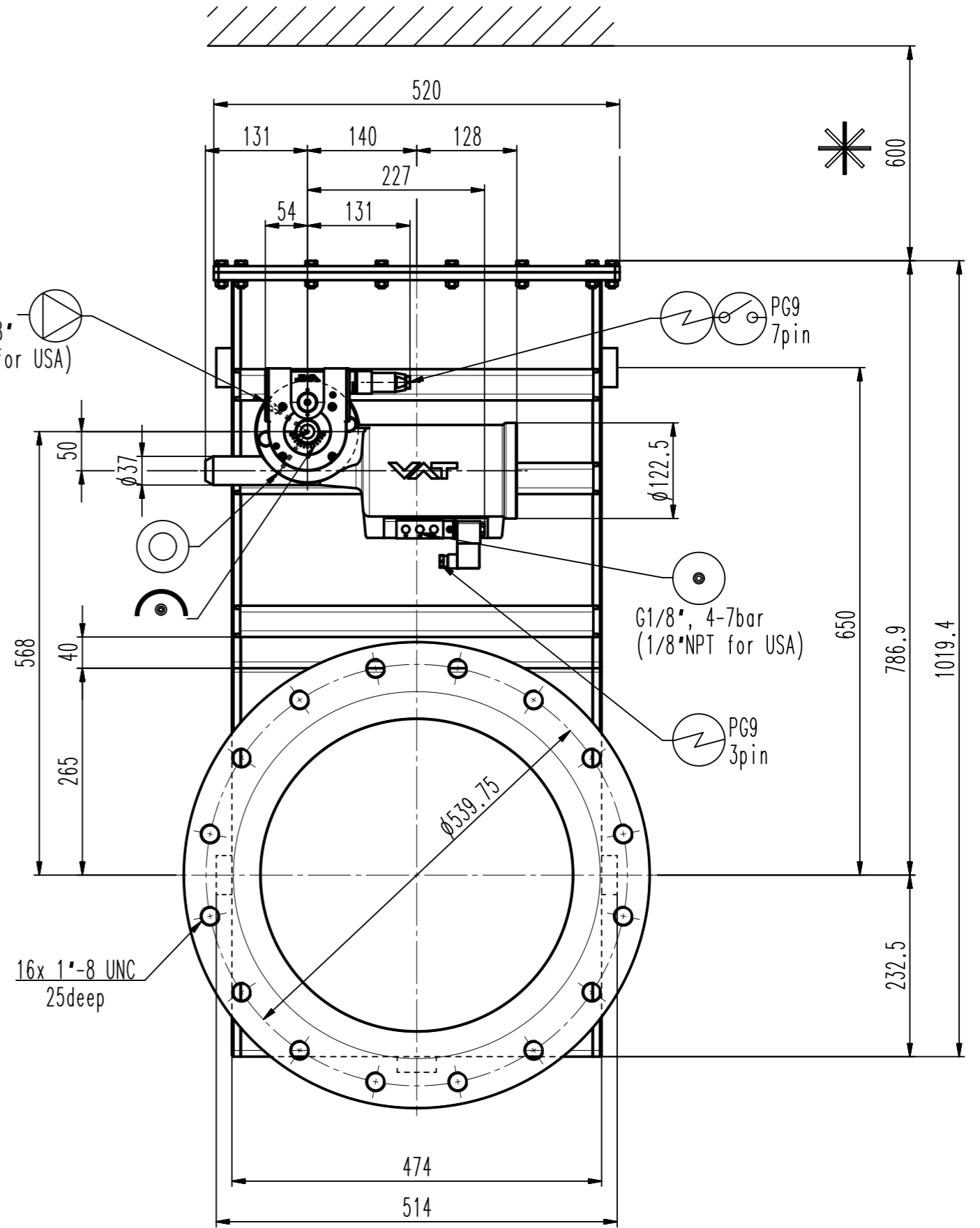


M16 - 20 deep (5x)  
Lifting point suitable for  
eye bolt DIN 580:2003



G1/8"  
(1/8"NPT for USA)



- ▼ Seat side
- ⊙ Comp. air connection
- ⊙ Electrical connection
- ⊙ Leak detection port
- ⊙ Mech. pos. indication
- ⊙ Position indicator
- ⊙ Required for dismantling
- ⊙ Emergency actuation
- ⊙ For attachment
- ⊙ Bake-out area
- ⊙ Differential pumping port

HV gate valve



VAT Vakuumentile AG

CH-9469 Haag, Switzerland  
Tel ++41 81 7716161 Fax ++41 81 7714830

Rev.-Date: 24.06.09

Visa: BUF

Series	140	Ordering No.	14052-AE44-0002
Projection E	DN	Flange	
	400	ASA-150	
Dimensional Drawing	312546	Rev.	A