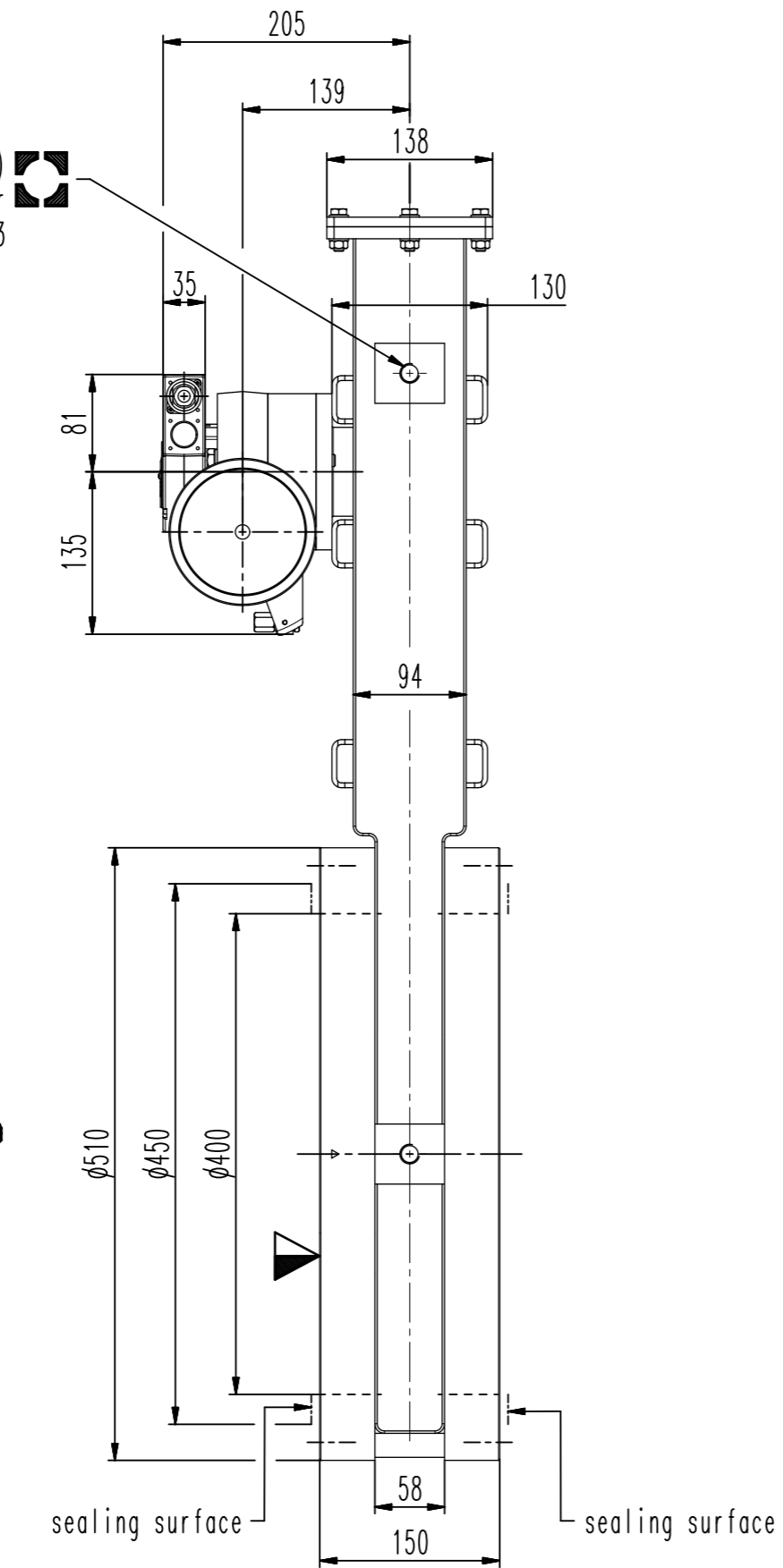
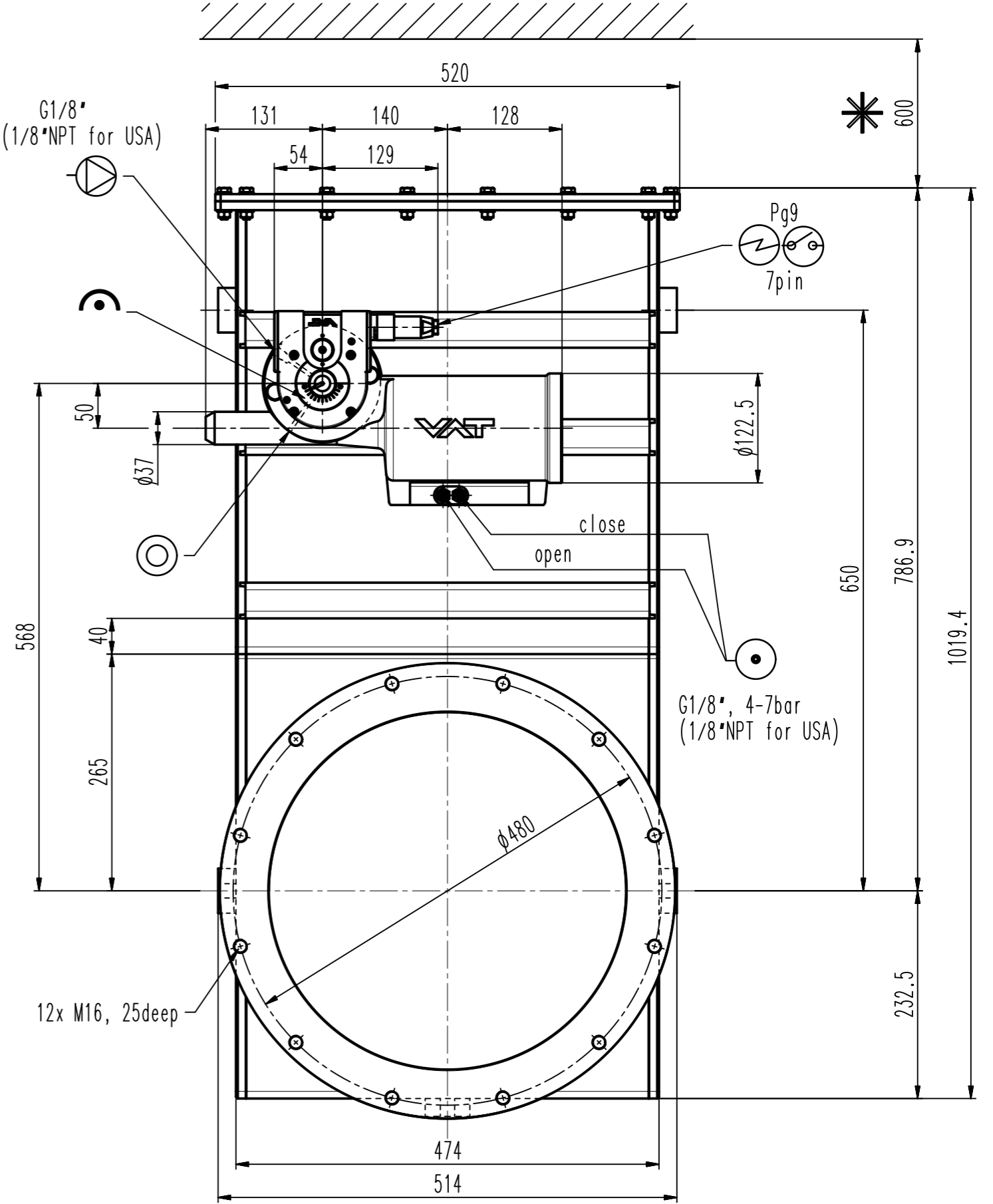


M16 - 20 deep (5x)  
Lifting point suitable for  
eye bolt DIN 580:2003



G1/8"  
(1/8"NPT for USA)



- ▼ Seat side
- ⊙ Comp. air connection
- ⊙ Electrical connection
- ⊙ Leak detection port
- ⊙ Mech. pos. indication
- ⊙ Position indicator
- ⊙ Required for dismantling
- ⊙ Emergency actuation
- ⊙ For attachment
- ⊙ Bake-out area
- ⊙ Differential pumping port

### HV gate valve



VAT Vakuumventile AG  
CH-9469 Haag, Switzerland  
Tel ++41 81 7716161 Fax ++41 81 7714830

Rev.-Date: 20.11.08  
Visa: MID

Series	140	Ordering No.	14 052-JE24-0002
Projection E		DN	400
Flange	JIS	Rev.	A
Dimensional Drawing	203619		