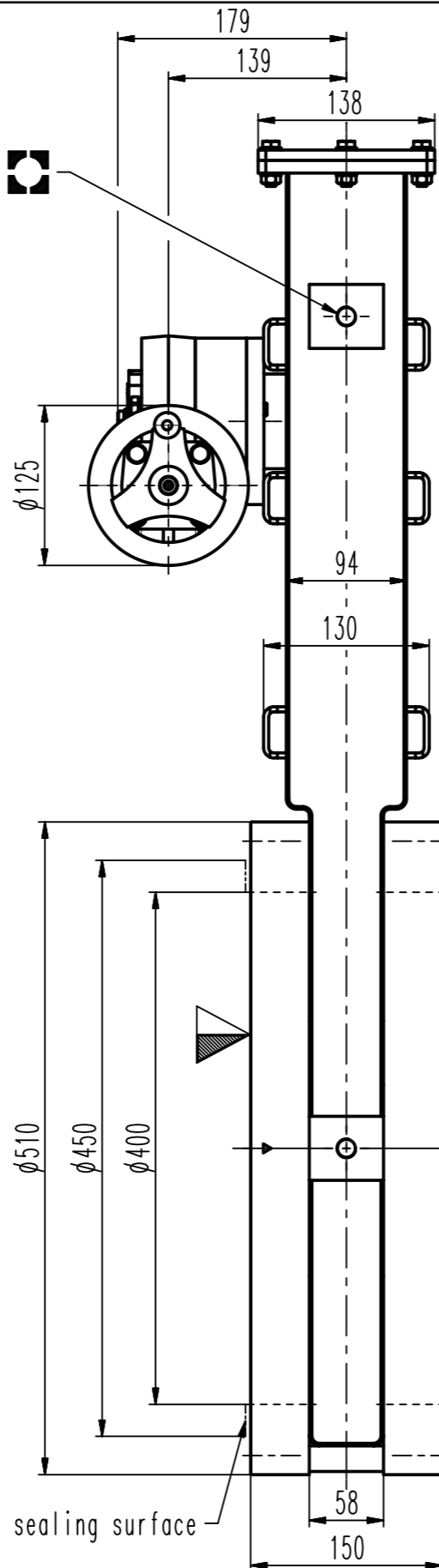
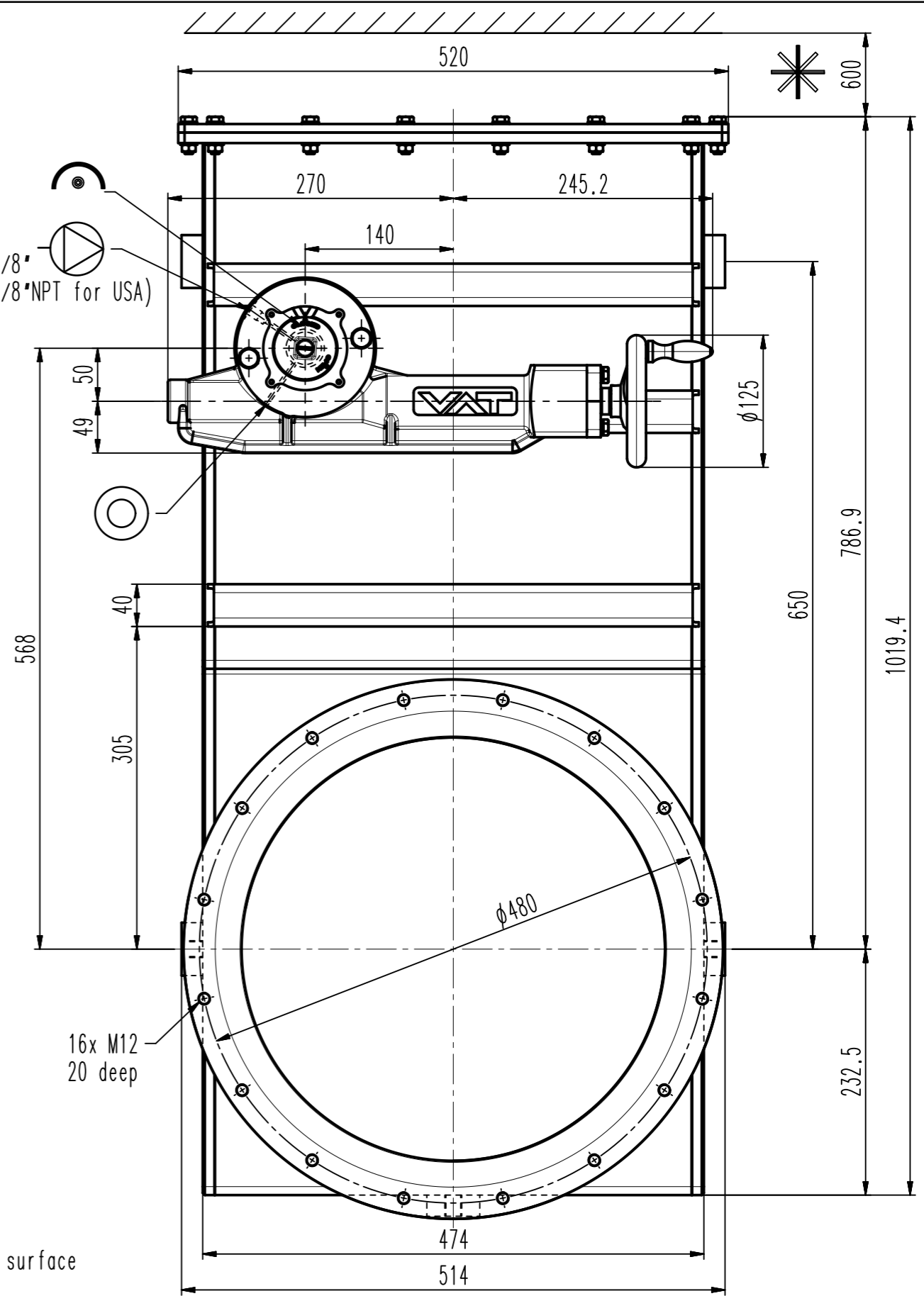


M16 - 20 deep (5x)
Lifting point suitable for
eye bolt DIN 580:2003



G1/8"
(1/8"NPT for USA)



- ▼ Seat side
- ⊙ Comp. air connection
- ⊙ Electrical connection
- ⊙ Leak detection port
- ⊙ Mech. pos. indication
- ⊙ Position indicator
- ⊙ Required for dismantling
- ⊙ Emergency actuation
- ⊙ For attachment
- ⊙ Bake-out area
- ⊙ Differential pumping port

HV gate valve



VAT Vakuumentile AG
CH-9469 Haag, Switzerland
Tel ++41 81 7716161 Fax ++41 81 7714830

Rev.-Date: 09.12.08
Visa: SCB

Series	140	Ordering No.	14052-PE01-0001
Projection E	DN	Flange	ISO-F
	400		
Dimensional Drawing		390785	Rev.