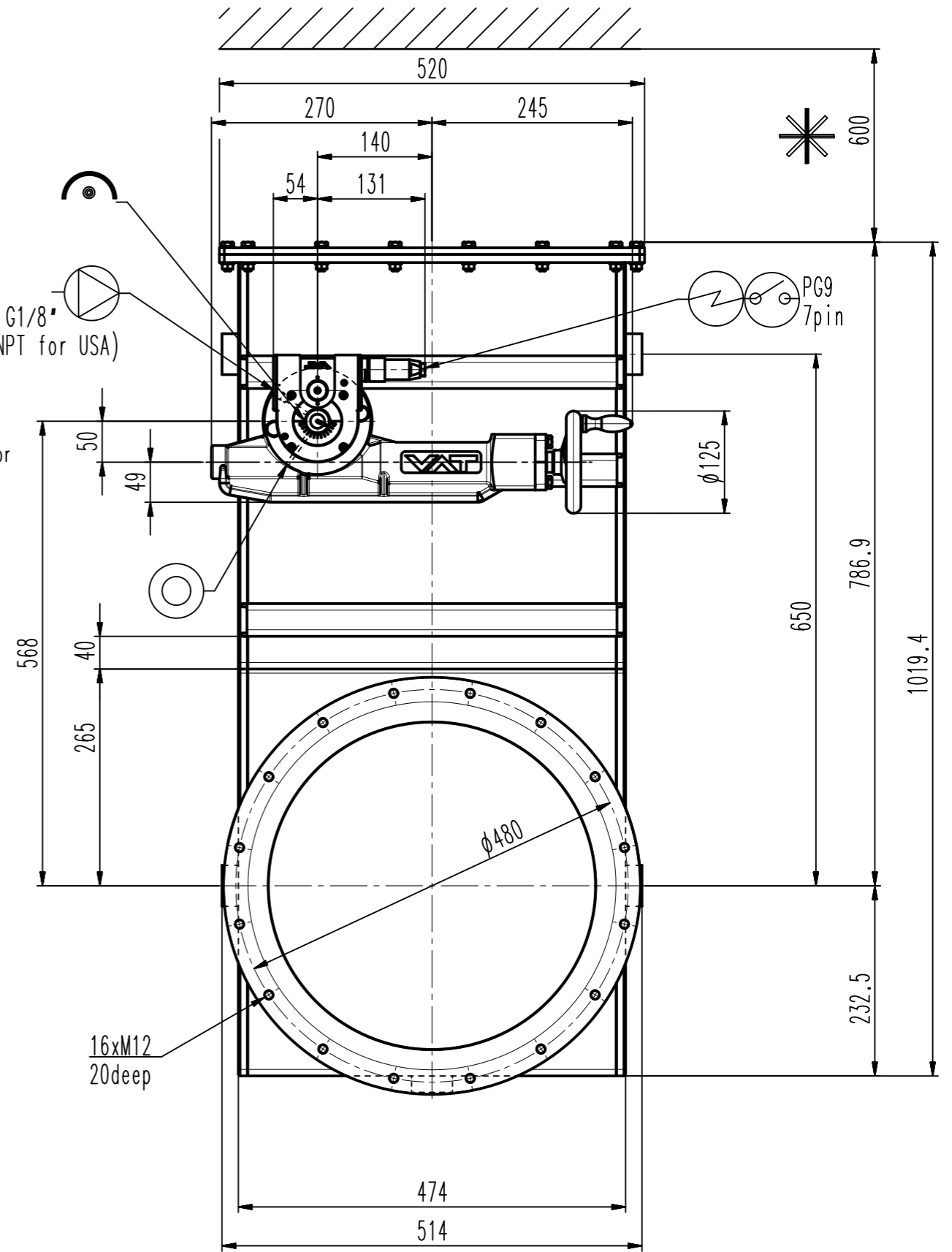


G1/8"  
(1/8"NPT for USA)

M16 - 20 deep (5x)  
Lifting point suitable for  
eye bolt DIN 580:2003



- ▼ Seat side
- ⊙ Comp. air connection
- ⊙ Electrical connection
- ⊙ Leak detection port
- ⊙ Mech. pos. indication
- ⊙ Position indicator
- ⊙ Required for dismantling
- ⊙ Emergency actuation
- ⊙ For attachment
- ⊙ Bake-out area
- ⊙ Differential pumping port

### HV gate valve



VAT Vakuumventile AG

CH-9469 Haag, Switzerland  
Tel ++41 81 7716161 Fax ++41 81 7714830

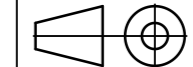
Rev.-Date: 24.06.09

Visa: BUF

Series

140

Projection E



Dimensional Drawing

Ordering No.

14052-PE08-0001

DN

400

Flange

ISO-F

230886

Rev.

A