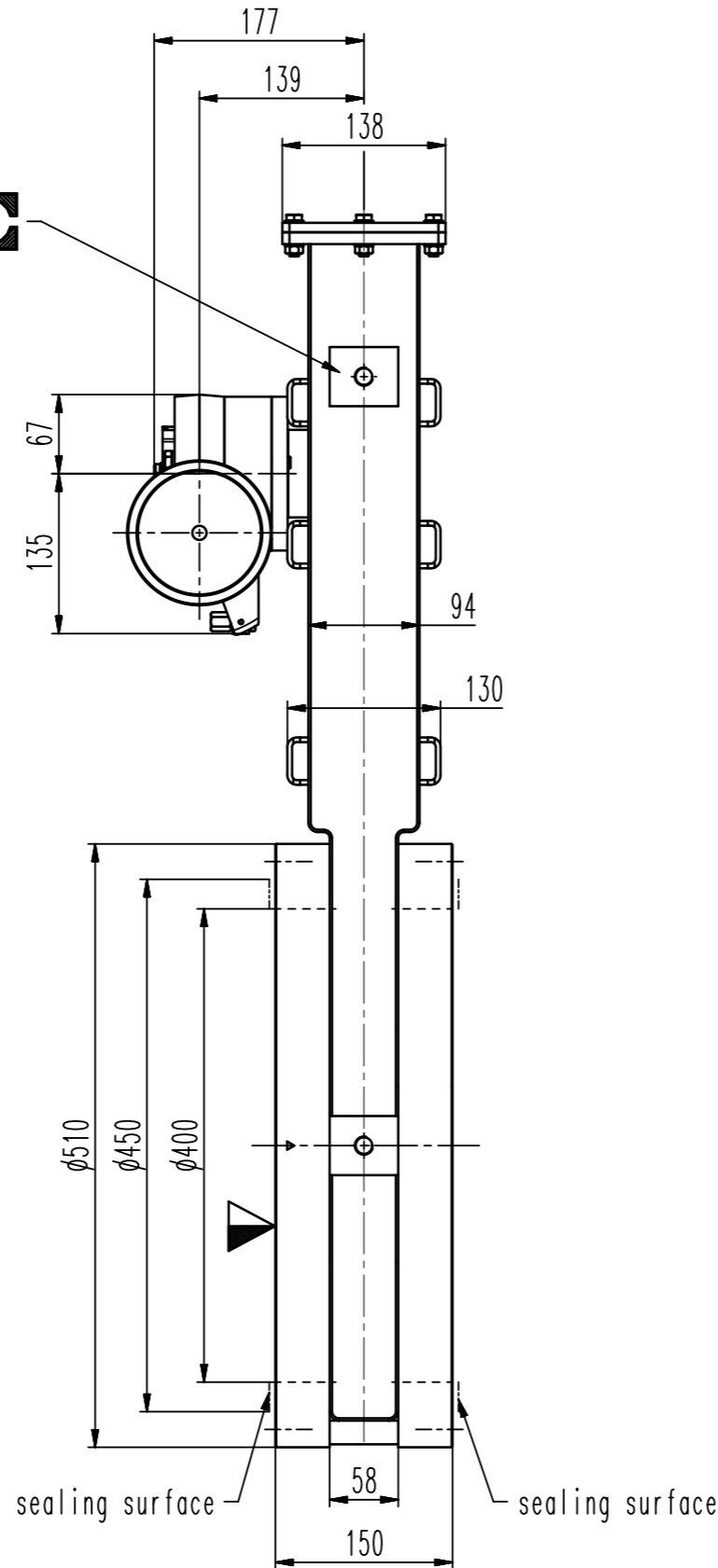
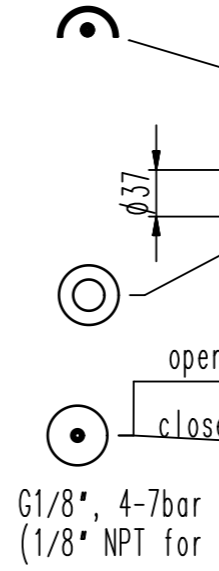


M16 - 20 deep (5x)  
Lifting point suitable for  
eye bolt DIN 580:2003



G1/8" (1/8" NPT for USA)

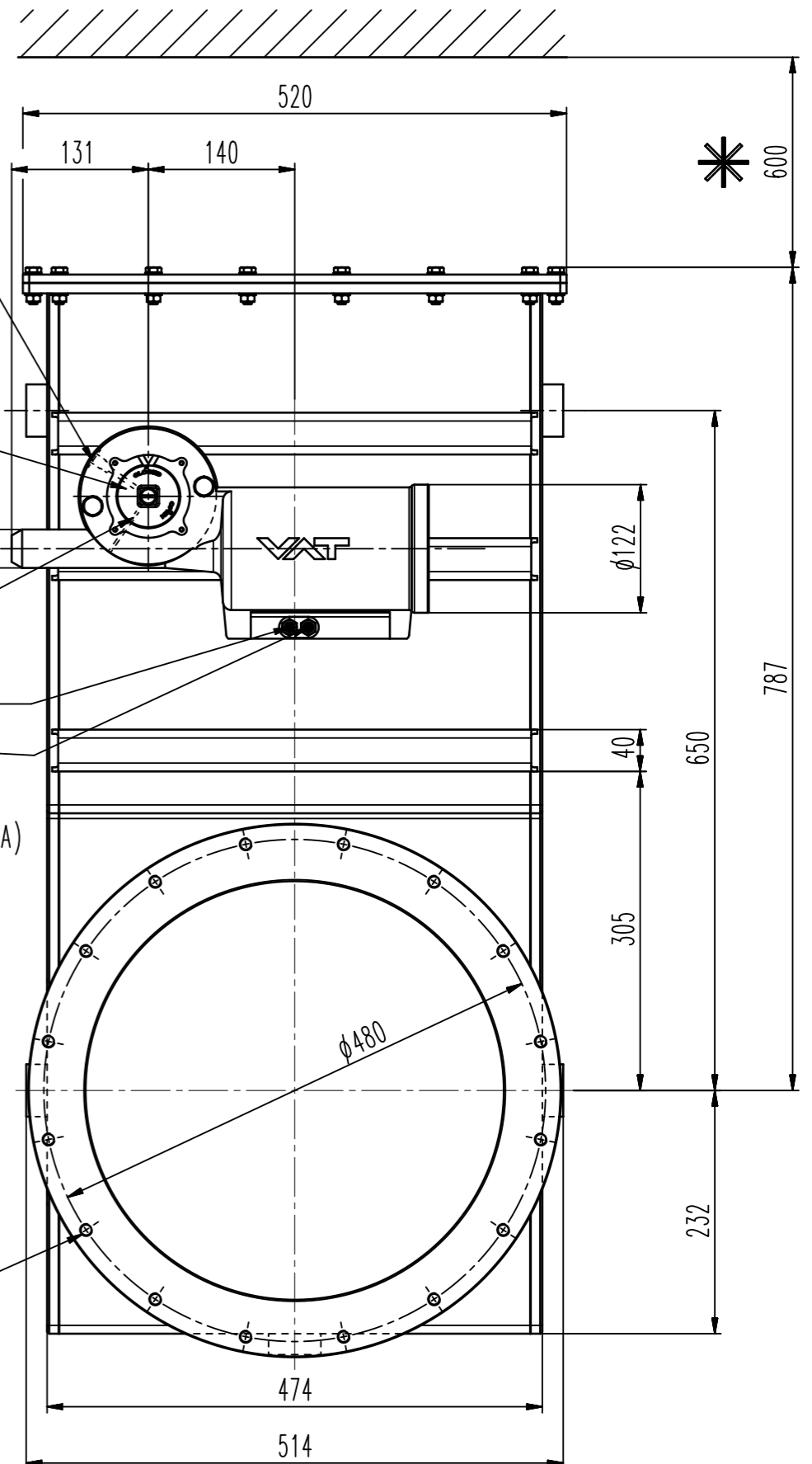


open

close

G1/8", 4-7bar  
(1/8" NPT for USA)

16x M12  
20 deep



- ▼ Seat side
- ⊙ Comp. air connection
- ⊙ Electrical connection
- ⊙ Leak detection port
- ⊙ Mech. pos. indication
- ⊙ Position indicator
- ⊙ Required for dismantling
- ⊙ Emergency actuation
- ⊙ For attachment
- ⊙ Bake-out area
- ⊙ Differential pumping port

### HV gate valve



VAT Vakuumventile AG  
CH-9469 Haag, Switzerland  
Tel ++41 81 7716161 Fax ++41 81 7714830

Rev.-Date: 14.07.21  
Visa: WAR

Series	140	Ordering No.	14052-PE14-0002
Projection E	DN	Flange	
	400	ISO-F	
Dimensional Drawing	236422	Rev.	A