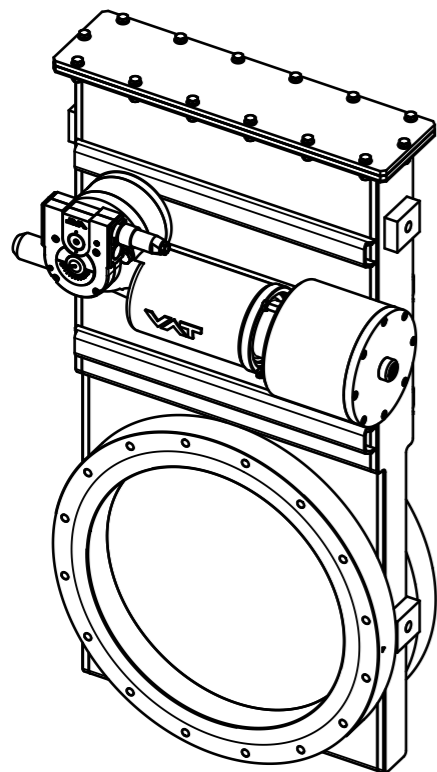
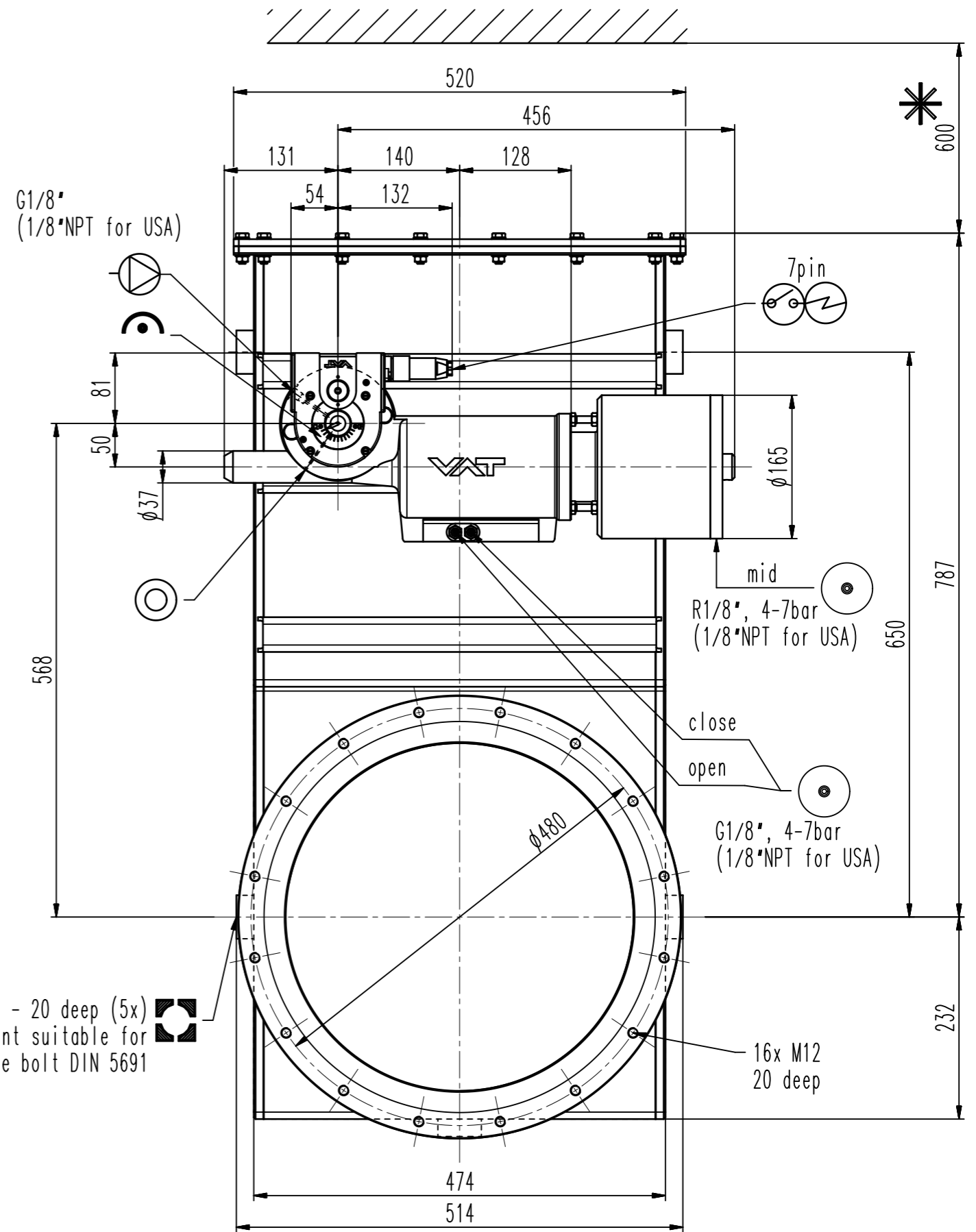


G1/8"
(1/8"NPT for USA)

M16 - 20 deep (5x)
Lifting point suitable for
eye bolt DIN 5691



- ▼ Seat side
- ⊙ Comp. air connection
- ⊙ Electrical connection
- ⊙ Leak detection port
- ⊙ Mech. pos. indication
- ⊙ Position indicator
- ⊙ Required for dismantling
- ⊙ Emergency actuation
- ⊙ For attachment
- ⊙ Bake-out area
- ⊙ Differential pumping port

Control gate valve



VAT Vakuumventile AG

CH-9469 Haag, Switzerland
Tel ++41 81 7716161 Fax ++41 81 7714830

Rev.-Date: 01.09.17

Visa: KMU

Series	140	Ordering No.	14052-PE28-0001
Projection E	DN	Flange	ISO-F
	400		
Dimensional Drawing		908704	Rev.