

M16 - 20 deep (5x)
Lifting point suitable for
eye bolt DIN 5691

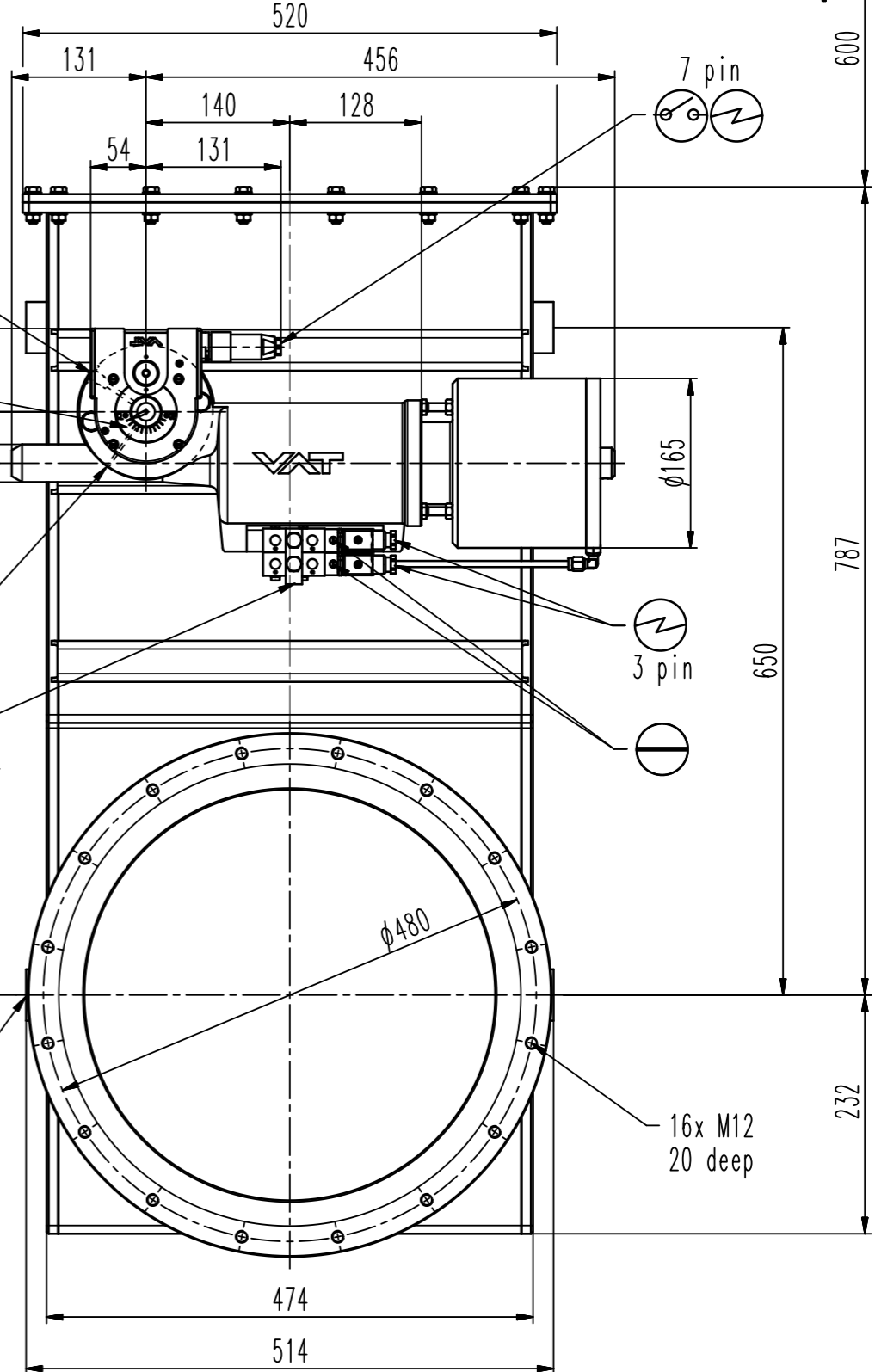
G1/8"
(1/8" NPT for USA)

81

50

φ37

1/8" ISO/NPT
4-7bar



- ▼ Seat side
- ⊙ Comp. air connection
- ⊕ Electrical connection
- ⊖ Leak detection port
- ⊗ Mech. pos. indication
- ⊘ Position indicator
- ⊙* Required for dismantling
- ⊙* Emergency actuation
- ⊙* For attachment
- ⊙* Bake-out area
- ⊙* Differential pumping port

Control gate valve



VAT Vakuumventile AG
CH-9469 Haag, Switzerland
Tel ++41 81 7716161 Fax ++41 81 7714830

Rev.-Date: 07.09.17
Visa: KMU

Series	140	Ordering No.	14052-PE48-0001
Projection E	DN	Flange	ISO-F
	400		
Dimensional Drawing		909324	Rev.