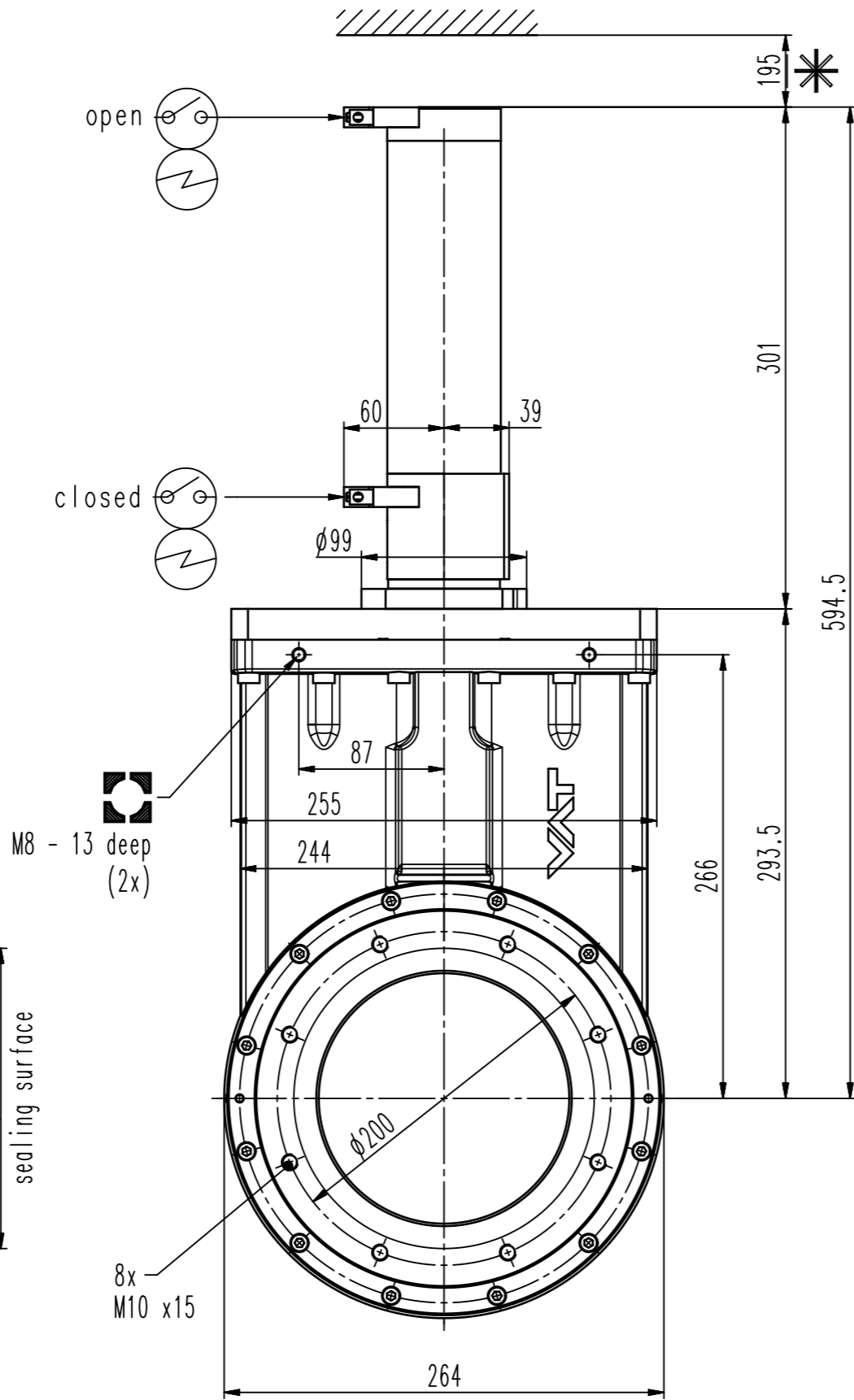
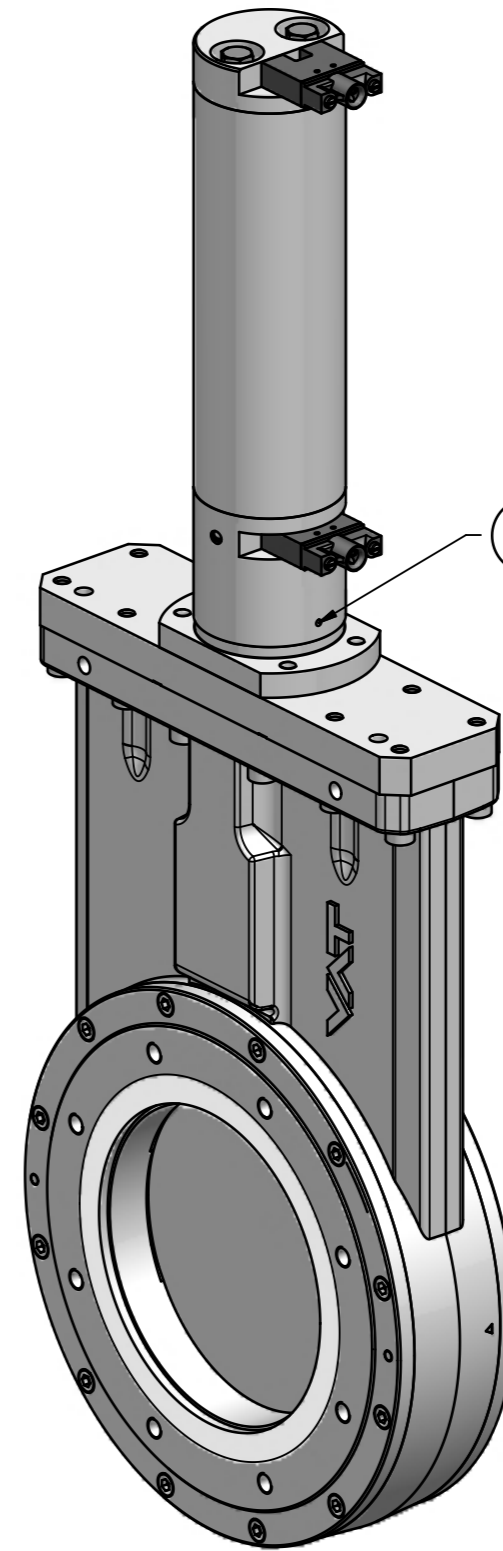


D-side

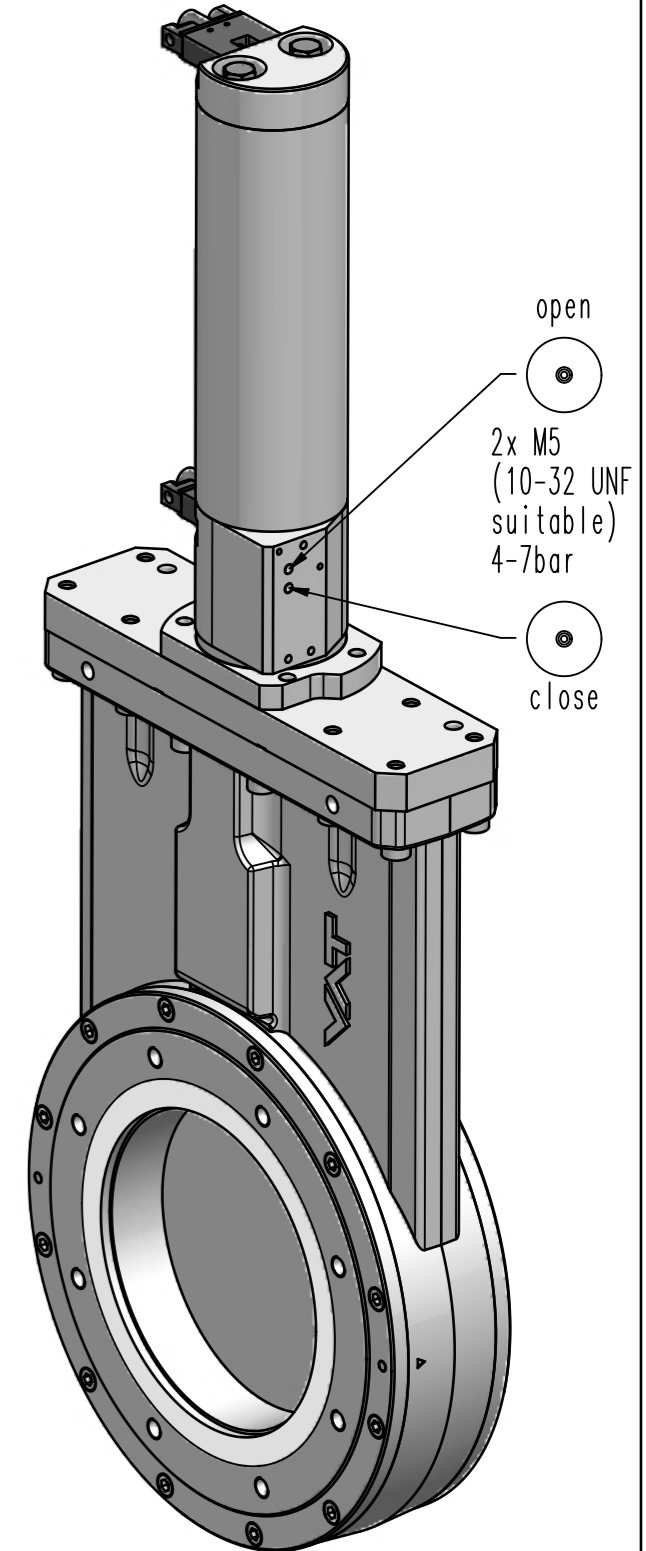


M8 - 13 deep
(2x)

8x
M10 x15



B-side



A-(seat)side

- ▼ Seat side
- ⊙ Comp. air connection
- ⊙ Electrical connection
- ⊙ Leak detection port
- ⊙ Mech. pos. indication
- ⊙ Position indicator
- ⊙ Required for dismantling
- ⊙ Emergency actuation
- ⊙ For attachment
- ⊙ Bake-out area
- ⊙ Differential pumping port

Low particle gate valve



VAT Vakuumventile AG

CH-9469 Haag, Switzerland
Tel ++41 81 7716161 Fax ++41 81 7714830

Rev.-Date: 16.07.14

Visa: FRH

Series	150	Ordering No.	15044-PA24-0003
Projection E	DN	Flange	
	160	ISO-F	
Dimensional Drawing	206129	Rev.	A