



VAT Vakuumventile AG  
CH-9469 Haag, Schweiz

## Product data sheet

**Low particle HV gate valve, Series 151, DN 63 (ID 2 1/2")**  
**Ordering No. 15136-PA44**

### Description

Flange	ISO-F 63
Actuator	Pneumatic, double acting – with solenoid valve – with position indicator
Feedthrough	Bellows

### Technical data

Leak rate	– Valve body – Valve seat	$< 1 \cdot 10^{-9}$ mbar ls <sup>-1</sup> $< 1 \cdot 10^{-9}$ mbar ls <sup>-1</sup>
Pressure range		$1 \cdot 10^{-8}$ mbar to 1 bar (abs)
Differential pressure on the gate		$\leq 1.2$ bar
Differential pressure at opening		$\leq 30$ mbar
Conductance (molecular flow)		480 ls <sup>-1</sup>
Cycles until first service		500 000 (unheated and under clean conditions)
Temperature (Maximum values: depending on operating conditions and sealing materials)	– Valve Body – Actuator – Solenoid valve – Position indicator	$\leq 120$ °C (bake-out max. 24h) $\leq 100$ °C $\leq 50$ °C $\leq 80$ °C
Heating and cooling rate		30 °C h <sup>-1</sup>
Material (main components)	– Valve Body – Gate – Bellows	EN AW-6082 (3.2315) EN AW-6082 (3.2315) AISI 633 (AM350)
Seal	– Bonnet – Gate – Actuator	FKM (Viton®) FKM (Viton®), vulcanized FKM (Viton®)
Mounting position		Any
Volume of pneumatic actuator		0.22 l / 0.008 ft <sup>3</sup>
Compressed air min. – max. overpressure		4 – 7 bar / 58 – 102 psi
Compressed air connection		G $\frac{1}{8}$ " (1/8" NPT for USA)

Created by: MAY	Release date: 02.10.2014	1/2
Modified by:	Release date:	<b>771227EA</b>



VAT Vakuumventile AG  
CH-9469 Haag, Schweiz

## Product data sheet

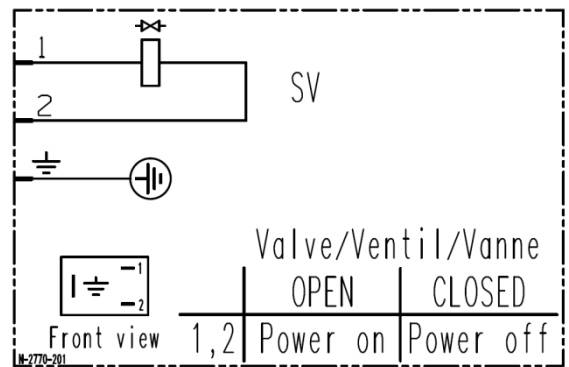
**Low particle HV gate valve, Series 151, DN 63 (ID 2 1/2")**  
**Ordering No. 15136-PA44**

Actuation time	- closing	≤ 1.5 s
	- opening	≤ 1.5 s
Weight		8.0 kg / 17.6 lbs
Behavior in case of compressed air pressure drop	- Valve closed	- Undefined (not mechanically locked)
	- Valve open	- Undefined (not mechanically locked)
Behavior in case of power failure	- Valve closed	- Valve remains closed
	- Valve open	- Valve closes

### Electrical connections

#### Solenoid valve

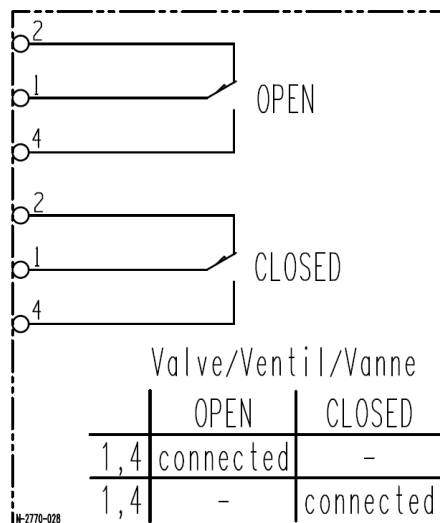
Type	4/2 way
Voltage	Defined by order



Wiring diagram

#### Position indicator

Type	Micro switch	
Voltage	≤ 250 V AC	≤ 50 V DC
Current max.	≤ 2 A	≤ 1.2 A



Wiring diagram

Created by: MAY	Release date: 02.10.2014	2/2
Modified by:	Release date:	771227EA