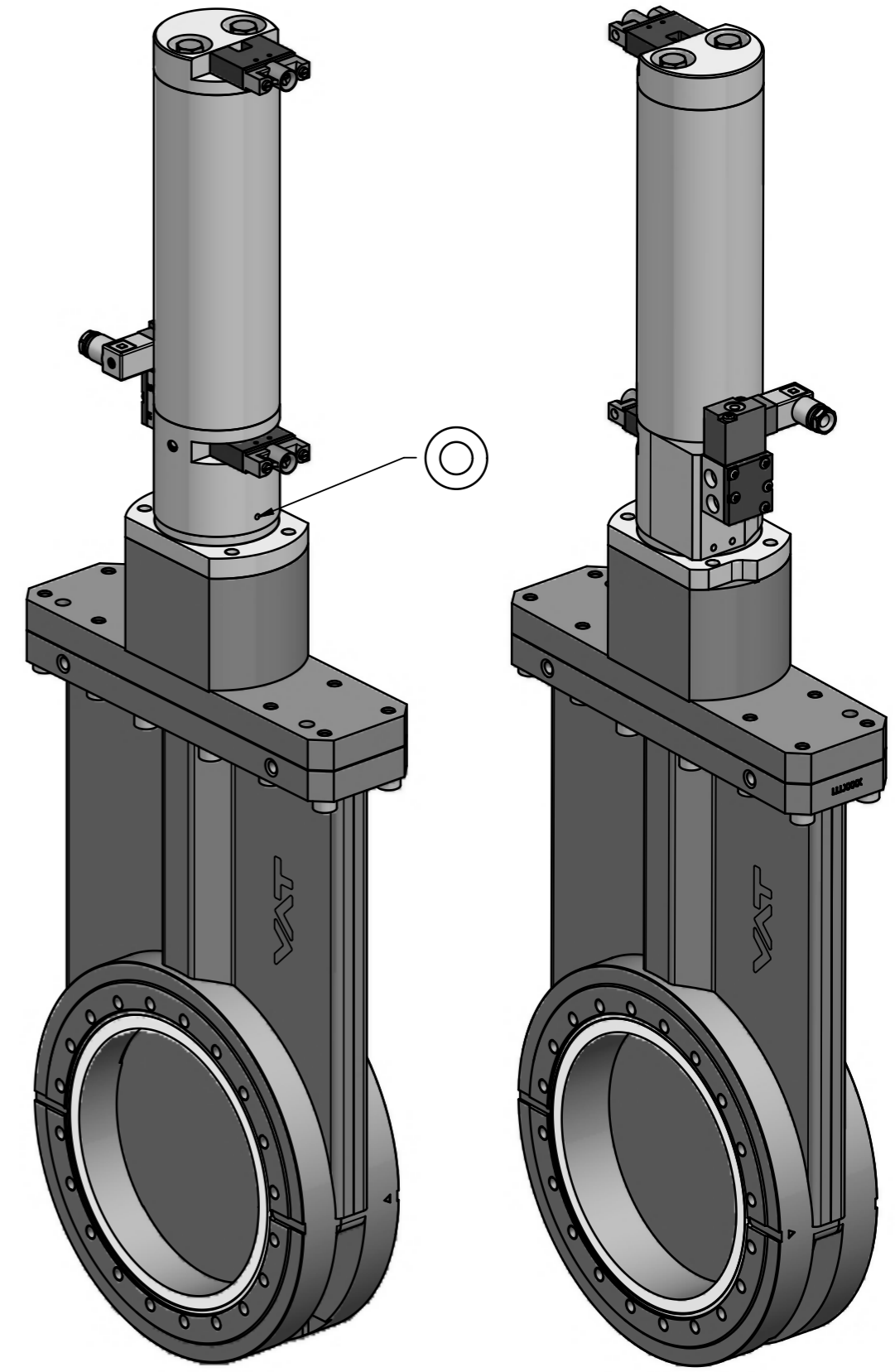
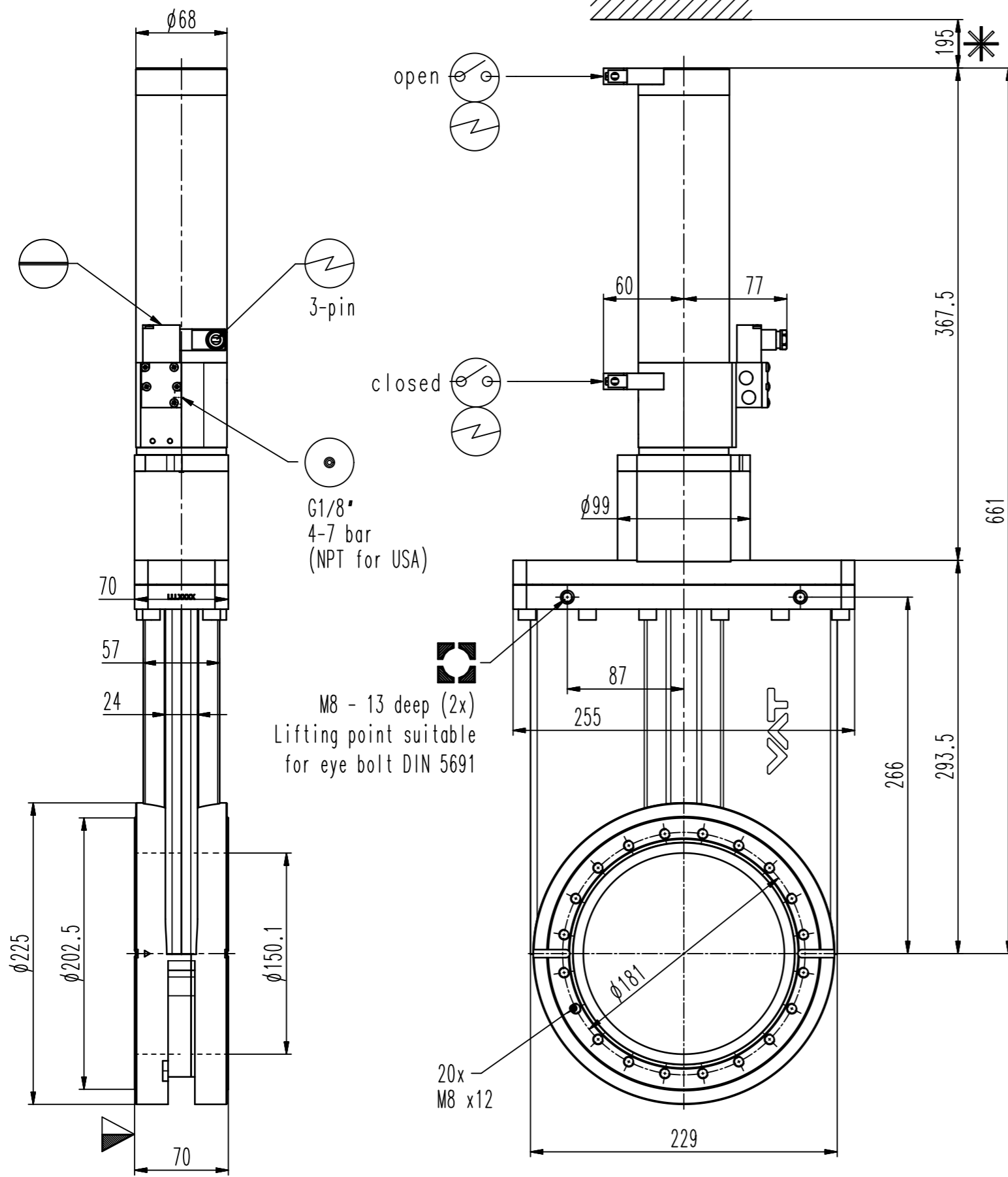


This drawing is the property of VAT.

Revision

Customer number



D-side

B-side

A-(seat)side

- ▼ Seat side
- ⊙ Comp. air connection
- ⊙ Electrical connection
- ⊙ Leak detection port
- ⊙ Mech. pos. indication
- ⊙ Position indicator
- ⊙ Required for dismantling
- ⊙ Emergency actuation
- ⊙ For attachment
- ⊙ Bake-out area
- ⊙ Differential pumping port

### Low particle UHV gate valve



VAT Vakuumventile AG  
CH-9469 Haag, Switzerland  
Tel ++41 81 7716161 Fax ++41 81 7714830

Rev.-Date: 17.10.14  
Visa: FRH

|                     |        |              |                 |
|---------------------|--------|--------------|-----------------|
| Series              | 152    | Ordering No. | 15244-CE44-0006 |
| Projection E        | DN     | Flange       |                 |
|                     | 160    | CF-F m       |                 |
| Dimensional Drawing | 578343 | Rev.         | A               |