



VAT Vakuumventile AG  
CH-9469 Haag, Schweiz

## Product data sheet

Low particle UHV gate valve, Series 152, DN 160 (ID 6")  
Ordering No. 15244-CE44

### Description

Flange	CF-F 160
Actuator	Pneumatic, double acting – with solenoid valve – with position indicator
Feedthrough	Bellows

### Technical data

Leak rate	– Valve body – Valve seat	$< 5 \cdot 10^{-10}$ mbar ls <sup>-1</sup> $< 1 \cdot 10^{-9}$ mbar ls <sup>-1</sup>
Pressure range		$1 \cdot 10^{-10}$ mbar to 1 bar (abs)
Differential pressure on the gate		$\leq 1.2$ bar
Differential pressure at opening		$\leq 30$ mbar
Conductance (molecular flow)		6 000 ls <sup>-1</sup>
Cycles until first service		500 000 (unheated and under clean conditions)
Temperature (Maximum values: depending on operating conditions and sealing materials)	– Valve Body – Actuator – Solenoid valve – Position indicator	$\leq 250$ °C open / $\leq 200$ °C closed (bake-out max. 24h) $\leq 200$ °C $\leq 50$ °C $\leq 80$ °C
Heating and cooling rate		50 °C h <sup>-1</sup>
Material (main components)	– Valve Body – Gate – Bellows	AISI 304 (1.4301) AISI 304 (1.4301) AISI 633 (AM350)
Seal	– Bonnet – Gate – Actuator	metal FKM (Viton®), vulcanized FKM (Viton®)
Mounting position		Any
Volume of pneumatic actuator		0.46 l / 0.016 ft <sup>3</sup>
Compressed air min. – max. overpressure		4 – 7 bar / 58 – 102 psi
Compressed air connection		G1/8" (1/8" NPT for USA)

Created by: MAY	Release date: 20.10.2014	1/2
Modified by:	Release date:	<b>756289EA</b>



VAT Vakuumventile AG  
CH-9469 Haag, Schweiz

## Product data sheet

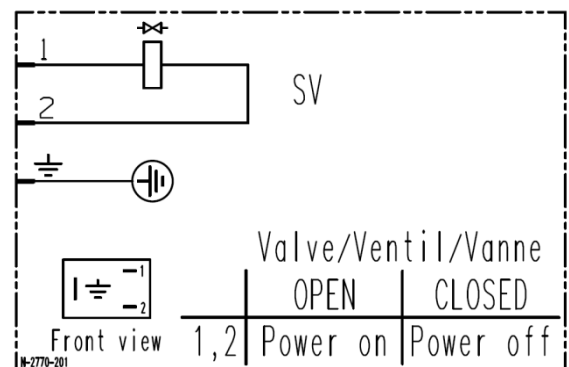
**Low particle UHV gate valve, Series 152, DN 160 (ID 6'')**  
**Ordering No. 15244-CE44**

Actuation time	- closing	≤ 3.1 s
	- opening	≤ 3.1 s
Weight		22.0 kg / 48.5 lbs
Behavior in case of compressed air pressure drop	- Valve closed	- Undefined (not mechanically locked)
	- Valve open	- Undefined (not mechanically locked)
Behavior in case of power failure	- Valve closed	- Valve remains closed
	- Valve open	- Valve closes

### Electrical connections

#### Solenoid valve

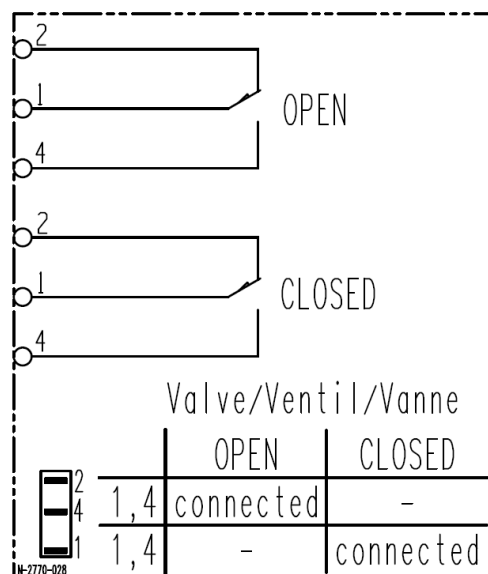
Type	4/2 way
Voltage	Defined by order



Wiring diagram

#### Position indicator

Type	Micro switch
Voltage	≤ 250 V AC    ≤ 50 V DC
Current max.	≤ 2 A            ≤ 1.2 A



Wiring diagram

Created by: MAY	Release date: 20.10.2014	2/2
Modified by:	Release date:	<b>756289EA</b>