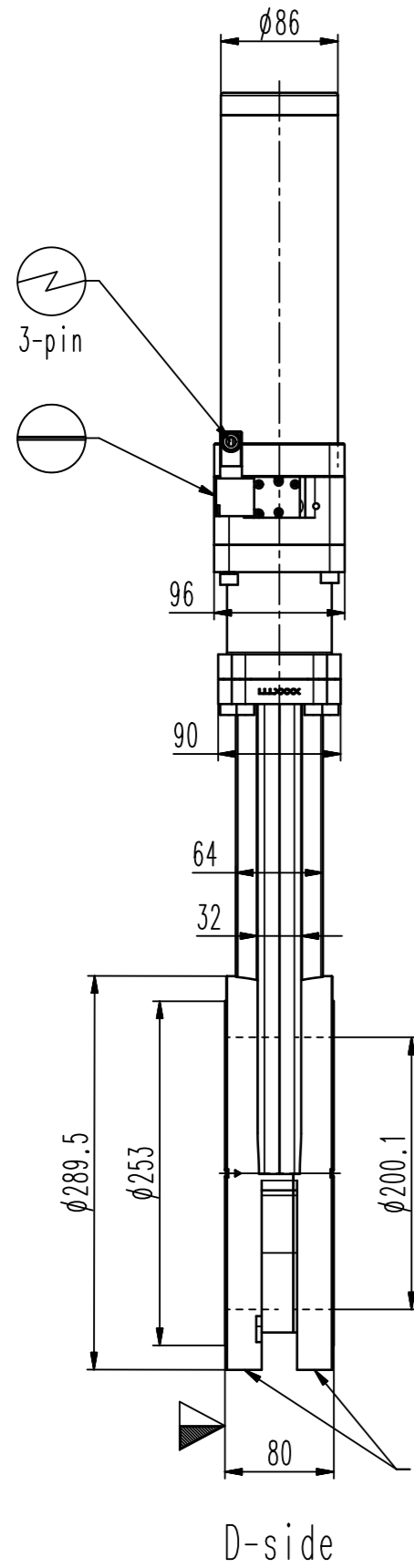


This drawing is the property of VAT.

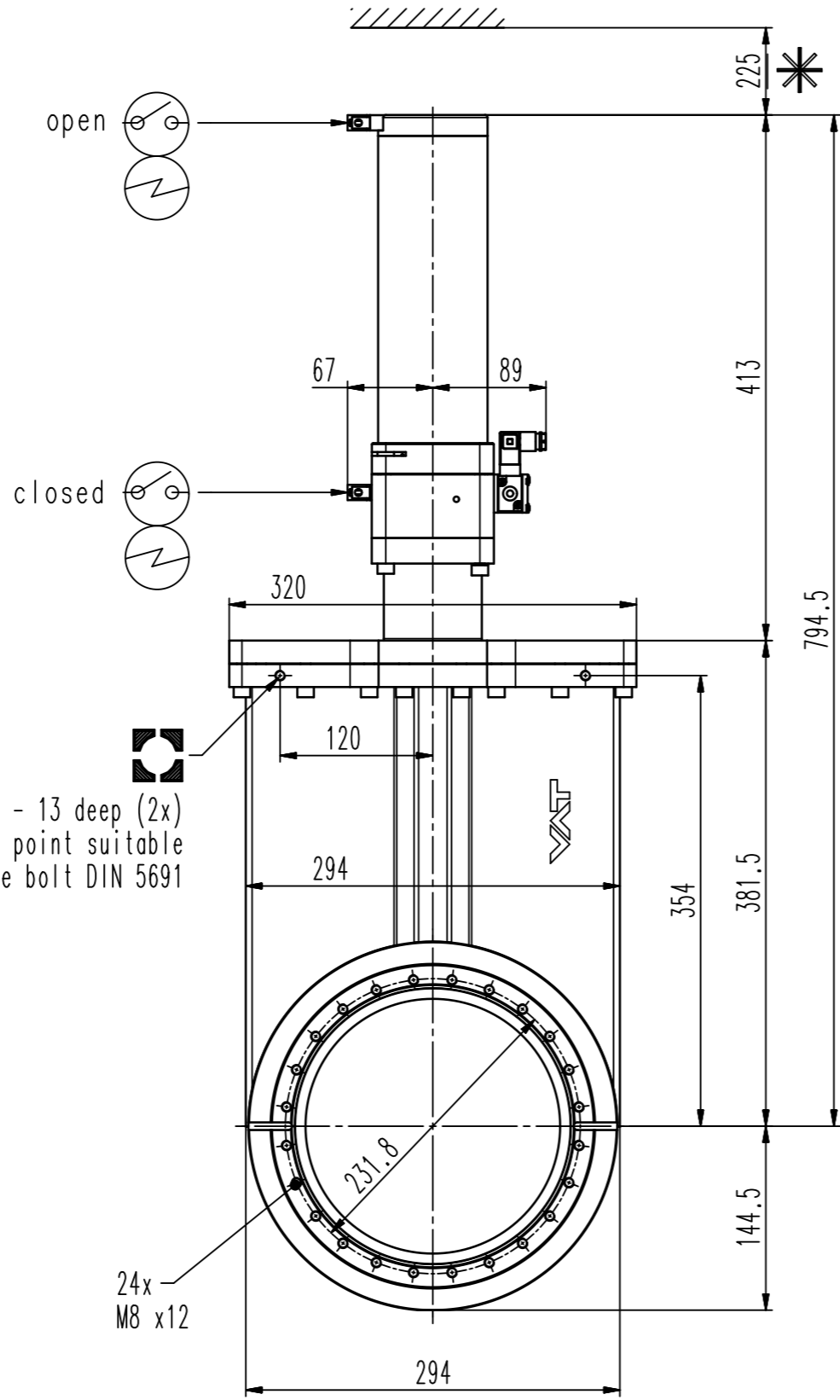
Revision

Customer number



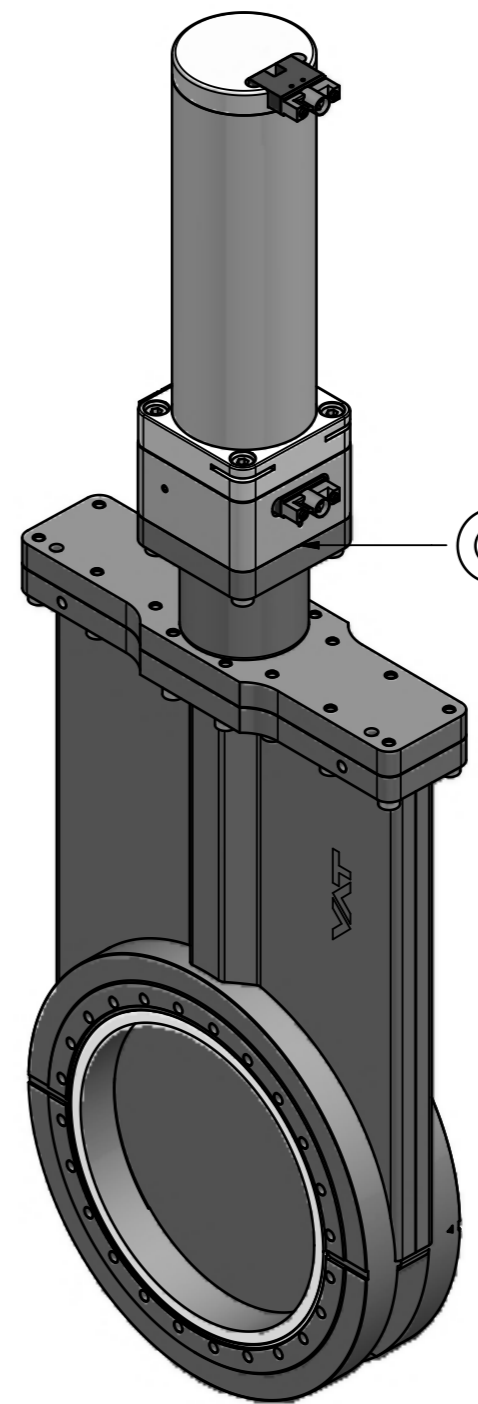
D-side

M8 - 13 deep
Lifting point suitable
for eye bolt DIN 5691

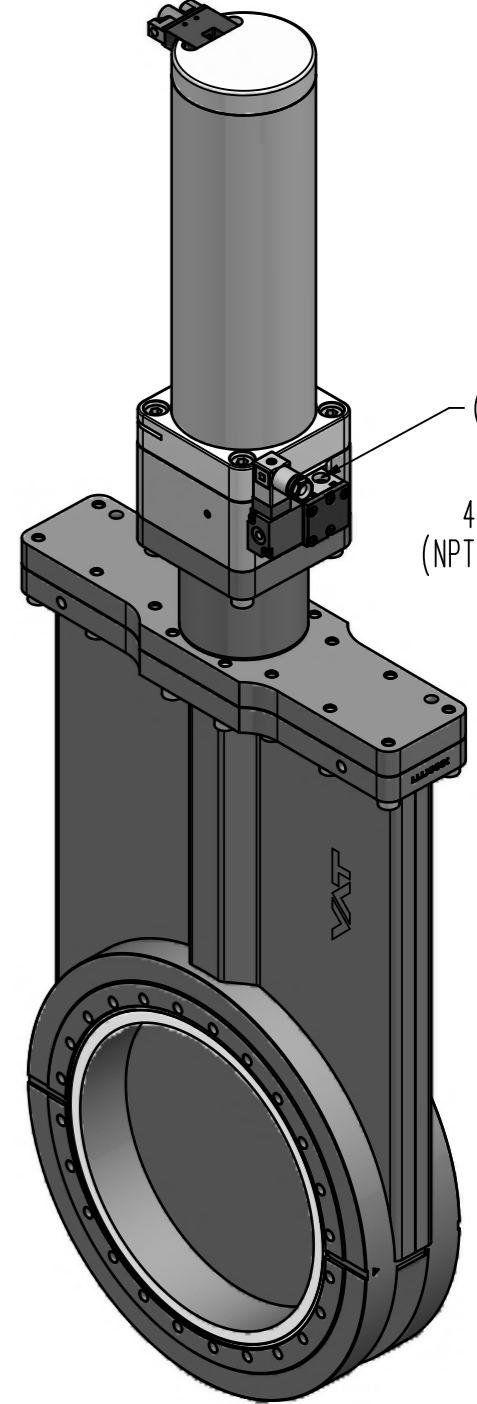


M8 - 13 deep (2x)
Lifting point suitable
for eye bolt DIN 5691

24x
M8 x12



B-side



A-(seat)side

G1/8"
4-7 bar
(NPT for USA)

- ▼ Seat side
- ⊙ Comp. air connection
- ⊙ Electrical connection
- ⊙ Leak detection port
- ⊙ Mech. pos. indication
- ⊙ Position indicator
- ⊙ Required for dismantling
- ⊙ Emergency actuation
- ⊙ For attachment
- ⊙ Bake-out area
- ⊙ Differential pumping port

Low particle UHV gate valve



VAT Vakuumventile AG
CH-9469 Haag, Switzerland
Tel ++41 81 7716161 Fax ++41 81 7714830

Rev.-Date: 16.10.14
Visa: FRH

Series	152	Ordering No.	15246-CE44-0004
Projection E	DN	Flange	
	200	CF-F m	
Dimensional Drawing	594230	Rev.	A