



VAT Vakuumventile AG
CH-9469 Haag, Schweiz

Product data sheet

Low particle UHV gate valve, Series 152, DN 200 (ID 8")
Ordering No. 15246-CE44

Description

Flange	CF-F 200
Actuator	Pneumatic, double acting – with solenoid valve – with position indicator
Feedthrough	Bellows

Technical data

Leak rate	– Valve body – Valve seat	$< 5 \cdot 10^{-10}$ mbar ls ⁻¹ $< 1 \cdot 10^{-9}$ mbar ls ⁻¹
Pressure range		$1 \cdot 10^{-10}$ mbar to 1 bar (abs)
Differential pressure on the plate	– In opening direction – In closing direction	≤ 1.2 bar ≤ 1.2 bar
Differential pressure at opening		≤ 30 mbar
Conductance (molecular flow)		12 200 ls ⁻¹
Cycles until first service		500 000
Temperature (Maximum values: depending on operating conditions and sealing materials)	– Valve body – Actuator – Solenoid valve – Position indicator	≤ 250 °C open / ≤ 200 °C closed [for max. 24 h] ≤ 100 °C ≤ 50 °C ≤ 80 °C
Heating and cooling rate		50 °C h ⁻¹
Material	– Valve body – Gate – Small parts in vacuum – Bellows	AISI 304 (1.4301) AISI 304 (1.4301), AISI 301 (1.4310), AISI 420C (1.3541), AISI 316L (1.4435) AISI 304 (1.4301), AISI 316L (1.4435) silver coated, AISI 301 (1.4310), A2 silver coated AISI 633 (AM350)
Seal	– Bonnet – Gate – Actuator	Metal FKM (Viton®), vulcanized FKM (Viton®), NBR
Mounting position		any
Volume of pneumatic actuator		1.08 l / 0.038 ft ³
Compressed air min. – max. overpressure		4 – 7 bar / 58 – 102 psi
Compressed air connection		G $\frac{1}{8}$ " ($\frac{1}{8}$ " NPT for USA)
Actuation time	– Closing – Opening	6.0 s 6.0 s
Weight		35.0 kg / 77.0 lbs

Created by: JOM	Release date: 2013-09-04	1 of 2
Modified by:	Release date:	603933EA



VAT Vakuumventile AG
CH-9469 Haag, Schweiz

Product data sheet

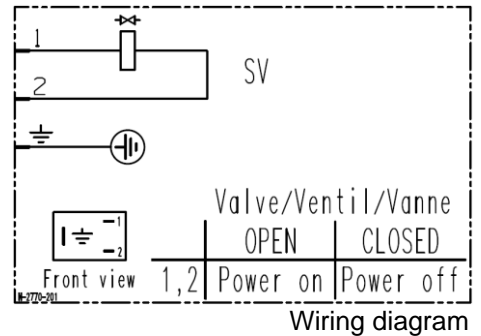
Low particle UHV gate valve, Series 152, DN 200 (ID 8'')
Ordering No. 15246-CE44

Behavior in case of compressed air pressure drop	– Valve closed – Valve open	– Undefined – Undefined
Behavior in case of power failure	– Valve closed – Valve open	– Valve remains closed – Valve closes

Electrical connections

Solenoid valve

Type	4/2 way
Voltage	24 V DC ¹
Power	5.4 W



¹ others on request

Position indicator

Type	Micro switch
Voltage	≤ 250 V AC ≤ 50 V DC
Current max.	≤ 2.0 A ≤ 1.2 A

