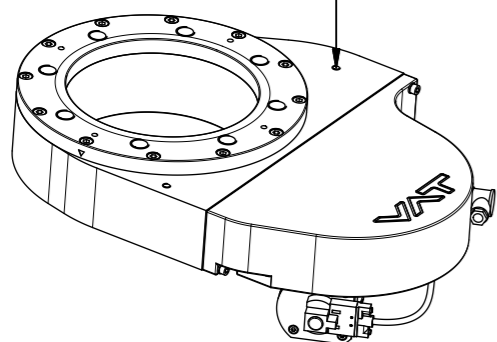


M8 - 14 deep (2x)
lifting point suitable for
eye bolt DIN580:2003



- complete technical data see product data sheet
- product options see header below
- this dimensional drawing shows simplified geometries only

- ▼ Seat side
- ⊙ Comp. air connection
- ⊙ Electrical connection
- ⊙ Leak detection port
- ⊙ Mech. pos. indication
- ⊙ Position indicator
- ⊙ Required for dismantling
- ⊙ Emergency actuation
- ⊙ For attachment
- ⊙ Bake-out area
- ⊙ Differential pumping port

Pendulum valve



VAT Vakuumentile AG
CH-9469 Haag, Switzerland
Tel ++41 81 7716161 Fax ++41 81 7714830

Rev.-Date: 30.08.18
Visa: GAMI

Series	162	Ordering No.	16246-TA28-0001
Projection E	DN	Flange	ASA-LP
	200		
Dimensional Drawing	952125	Rev.	