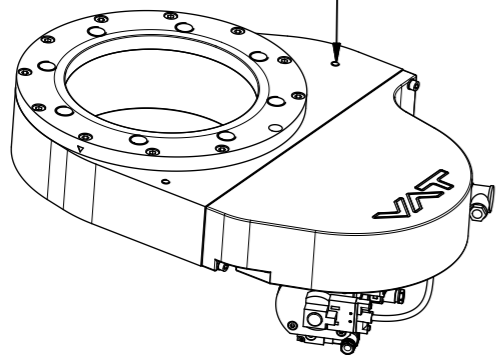


M8 - 14 deep (2x)
lifting point suitable
for eye bolt DIN580:2003



- complete technical data see product data sheet
- product options see header below
- this dimensional drawing shows simplified geometries only

▼	Seat side
⊙	Comp. air connection
⊕	Electrical connection
⊖	Leak detection port
⊗	Mech. pos. indication
⊘	Position indicator
⊙*	Required for dismantling
⊙*	Emergency actuation
⊙*	For attachment
⊙*	Bake-out area
⊙*	Differential pumping port

Pendulum valve



VAT Vakuumventile AG
CH-9469 Haag, Switzerland
Tel ++41 81 7716161 Fax ++41 81 7714830

Rev.-Date: 01.03.19
Visa: GAMI

Series	162	Ordering No.	16246-TA48-0001
Projection E	DN	Flange	ASA-LP
Dimensional Drawing	200	971693	Rev.