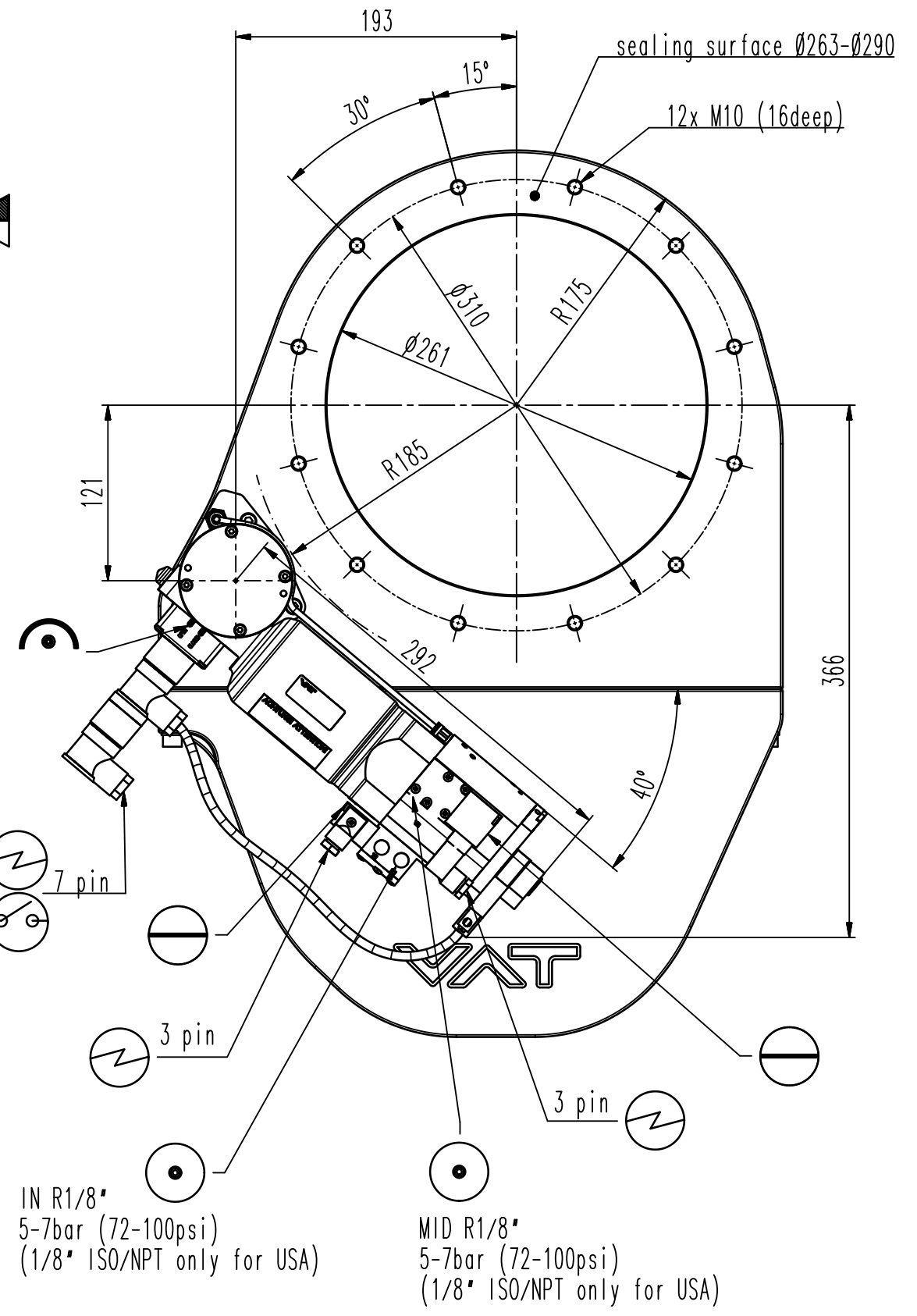
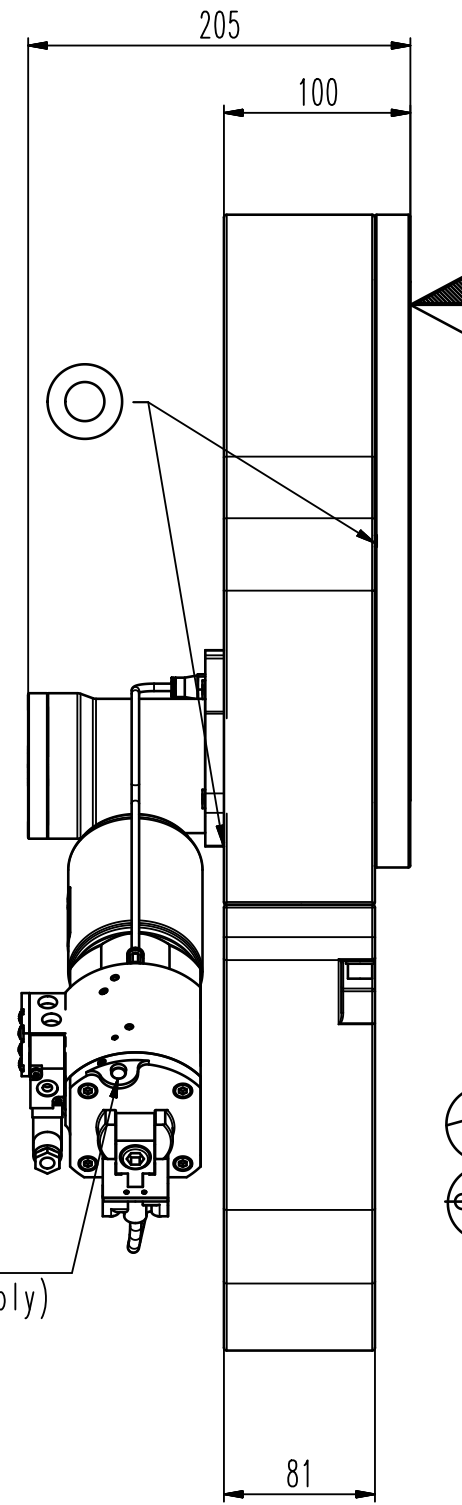
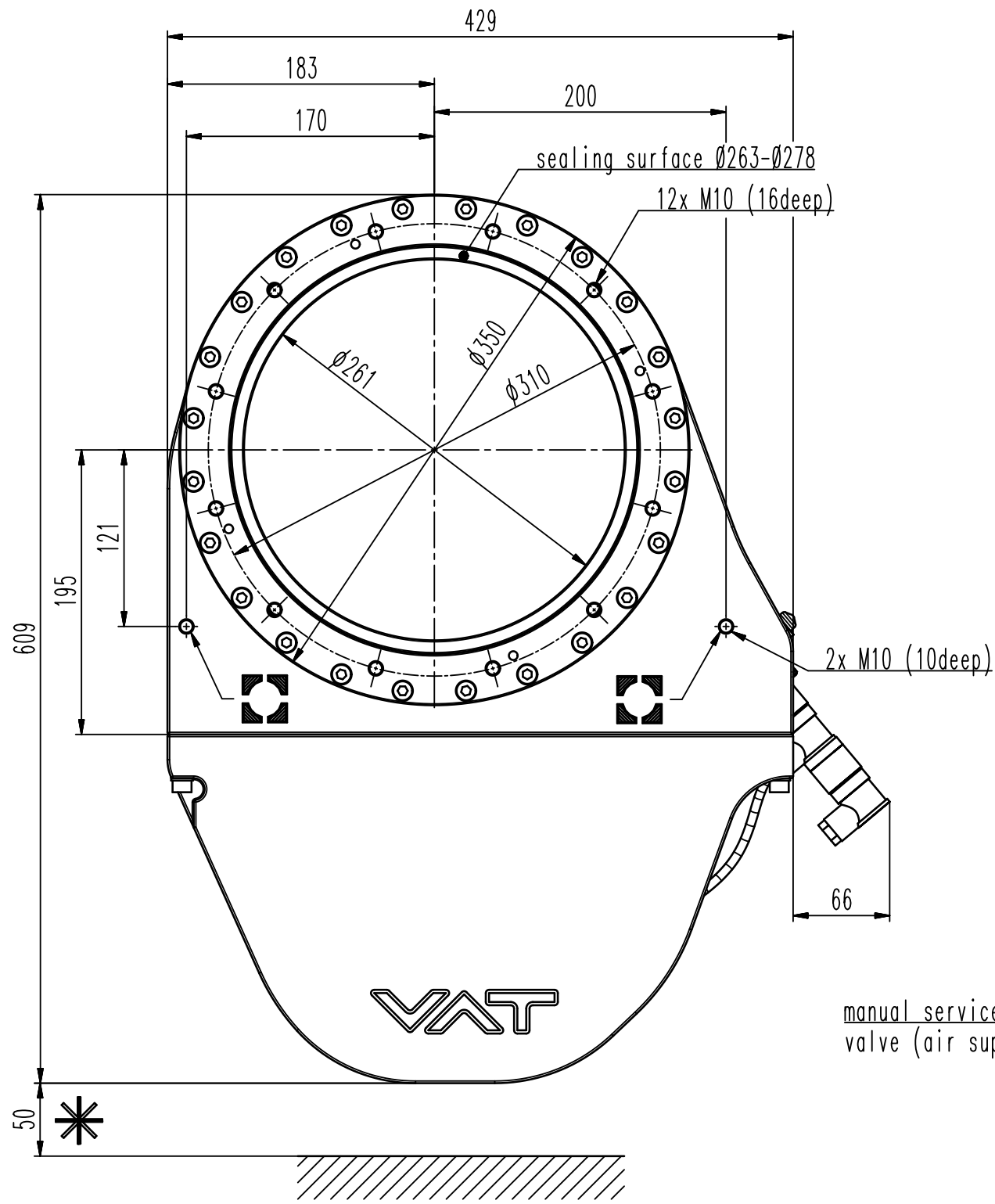


This drawing is the property of VAT.

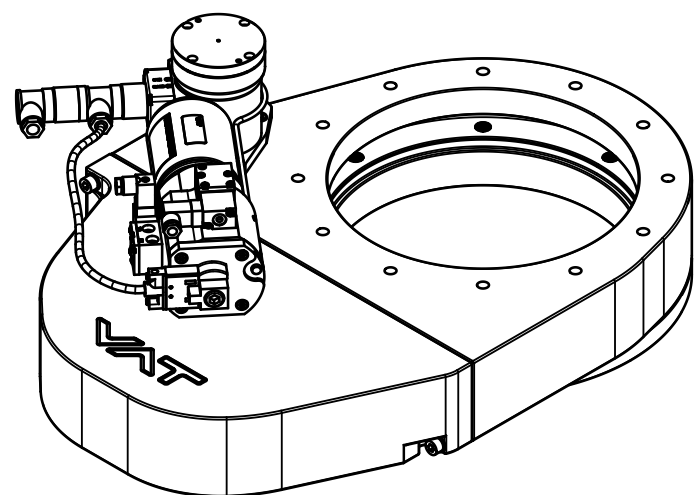
Revision

Customer number



IN R1/8"
5-7bar (72-100psi)
(1/8" ISO/NPT only for USA)

MID R1/8"
5-7bar (72-100psi)
(1/8" ISO/NPT only for USA)



- ▼ Seat side
- ⊙ Comp. air connection
- ⊙ Electrical connection
- ⊙ Leak detection port
- ⊙ Mech. pos. indication
- ⊙ Position indicator
- ⊙ * Required for dismantling
- ⊙ Emergency actuation
- ⊙ For attachment
- ⊙ Bake-out area
- ⊙ Differential pumping port

Pendulum valve



VAT Vakuumentile AG
CH-9469 Haag, Switzerland
Tel ++41 81 7716161 Fax ++41 81 7714830

Date: 13.02.06
Name: GRC

Series	162	Ordering No.	16248-PA48-0001
Projection E	DN	Flange	ISO-F
	250		
Dimensional Drawing	310750	Rev.	B