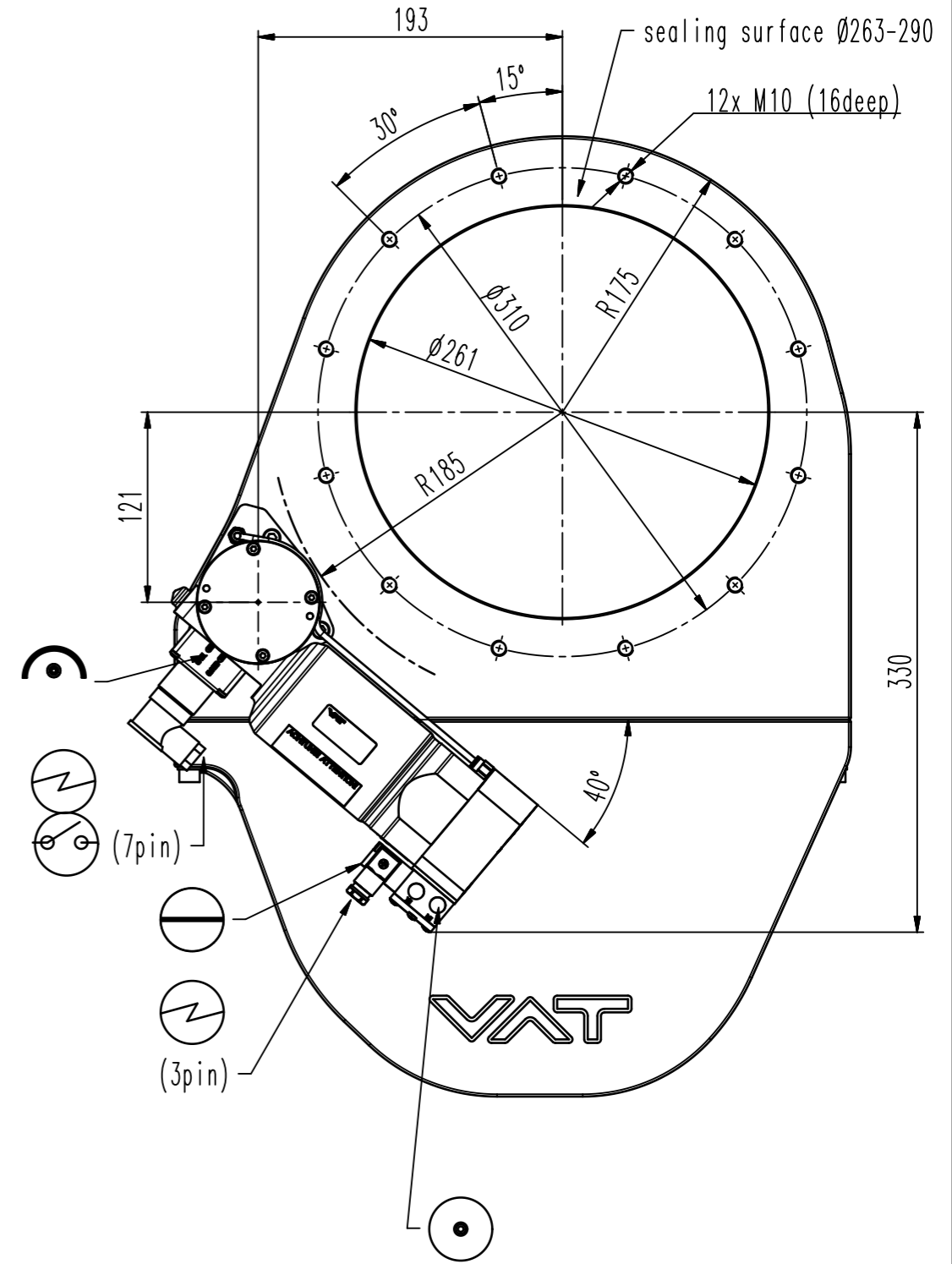
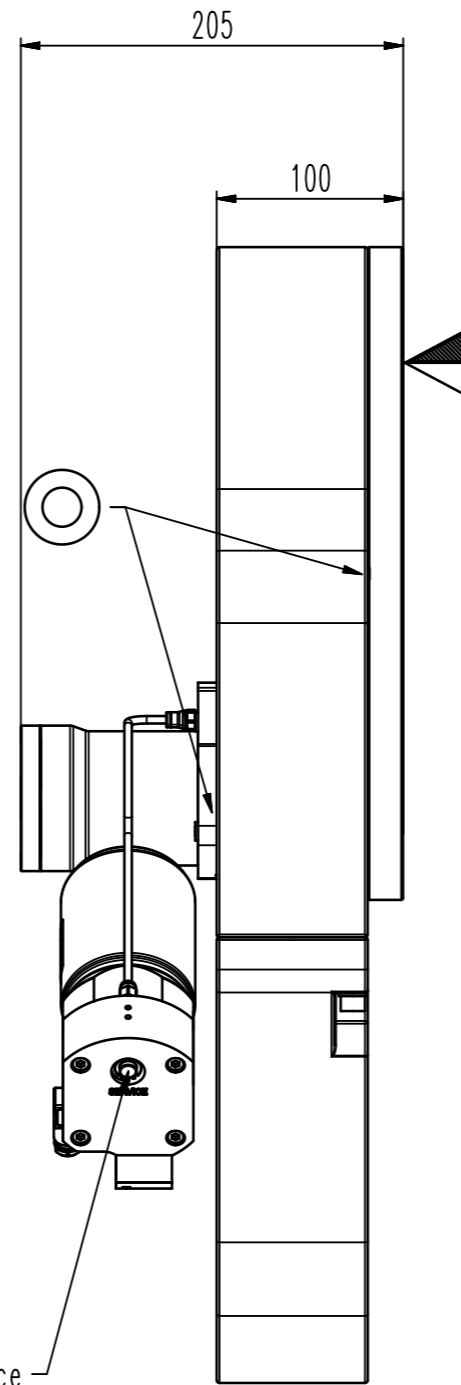
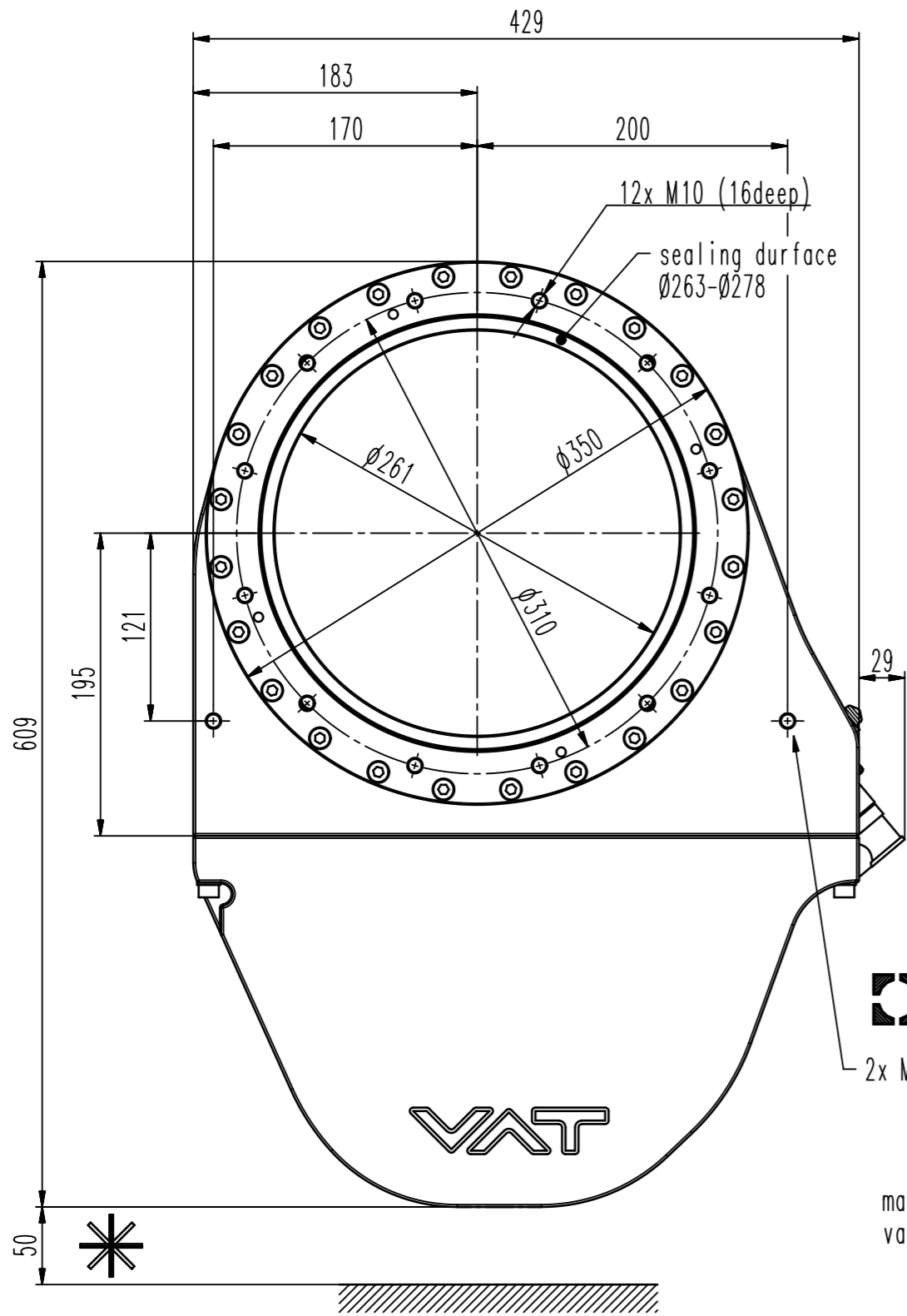


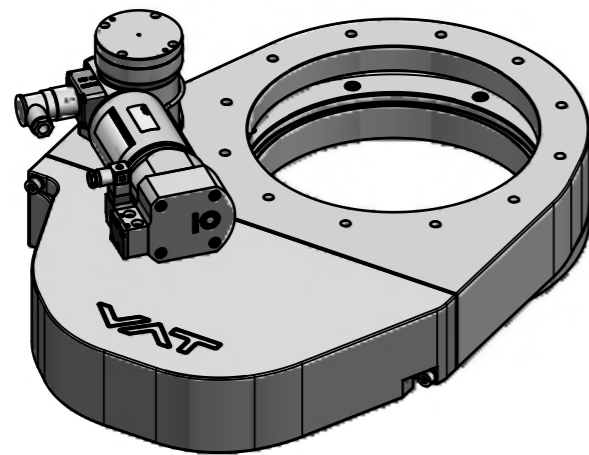
This drawing is the property of VAT.

Revision

Customer number



IN G1/8"
5-7bar (72-100psi)
(1/8 ISO/NPT for USA)



- ▼ Seat side
- ⊙ Comp. air connection
- ⊕ Electrical connection
- ⊖ Leak detection port
- ⊙ Mech. pos. indication
- ⊙ Position indicator
- ✱ Required for dismantling
- ⊙ Emergency actuation
- ⊙ For attachment
- ⊙ Bake-out area
- ⊙ Differential pumping port

Pendulum valve



VAT Vakuumventile AG
CH-9469 Haag, Switzerland
Tel ++41 81 7716161 Fax ++41 81 7714830

Rev.-Date: 16.10.14
Visa: TRM

Series	162	Ordering No.	16248-PH41-0001
Projection E	DN	Flange	
	250	ISO-F	
Dimensional Drawing		772887	Rev.