



VAT Vakuumventile AG  
CH-9469 Haag, Schweiz

## Product data sheet

**Pendulum valve, Series 162, DN 320 (ID 12")**  
**Ordering No. 16250-PA48**

### Description

Flange	ISO-F 320
Actuator	– 3-position pneumatic with closing spring (NC) – with solenoid valve – with position indicator
Feedthrough	Rotary feedthrough

### Technical data

Leak rate	– Valve body – Valve seat	$< 1 \cdot 10^{-9}$ mbar ls <sup>-1</sup> $< 1 \cdot 10^{-9}$ mbar ls <sup>-1</sup>
Pressure range		$1 \cdot 10^{-8}$ mbar to 1.2 bar (abs)
Differential pressure on the gate		$\leq 1.2$ bar
Differential pressure at opening		$\leq 5$ mbar
Conductance (molecular flow)		32 600 ls <sup>-1</sup>
Minimum conductance (molecular flow) 3 <sup>rd</sup> position		54 ls <sup>-1</sup>
Cycles until first service		200 000 (unheated and under clean conditions)
Temperature (Maximum values: depending on operating conditions and sealing materials)	– Valve body – Actuator – Solenoid valve – Position indicator	$\leq 120$ °C $\leq 80$ °C $\leq 50$ °C $\leq 80$ °C
Heating and cooling rate		$\leq 30$ °C h <sup>-1</sup>
Material	– Valve body, gate, sealing ring  – Feedthrough	EN AW-5083 (3.3547), EN AW-6082 (3.2315)  AISI 303 (1.4305), AISI 304 (1.4301)
Seal	– Bonnet – Gate, dynamic – Feedthrough	FKM (Viton®) FKM (Viton®) FKM (Viton®)
Mounting position		any
Volume of pneumatic actuator		0.55 l / 0.020 ft <sup>3</sup>
Compressed air min. – max. overpressure		5 – 7 bar / 73 – 102 psi
Compressed air connection		G1/8" (ISO / NPT for USA)
Actuation time	– closing – opening	5 s 5 s
Weight		56 kg / 123.5 lbs

Created by: MAEM	Release date: 2013-01-29	1 of 2
Modified by:	Release date:	<b>297546EA</b>



VAT Vakuumventile AG  
CH-9469 Haag, Schweiz

## Product data sheet

**Pendulum valve, Series 162, DN 320 (ID 12'')**  
**Ordering No. 16250-PA48**

Behavior in case of compressed air pressure drop – Valve closed  
– Valve open

valve remains closed  
valve closes

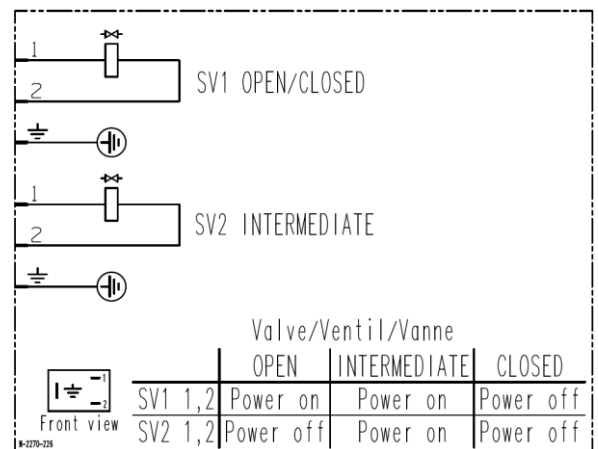
Behavior in case of power failure – Valve closed  
– Valve open

valve remains closed  
valve closes

### Electrical connections

#### Solenoid valve

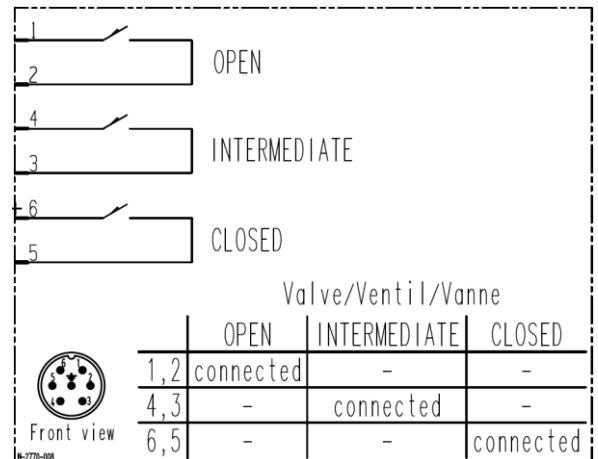
Type 4/2 way  
Voltage Defined by order



Wiring diagram

#### Position indicator

Type Micro switch  
Voltage  $\leq 50$  V AC  
Current max.  $\leq 1.2$  A



Wiring diagram