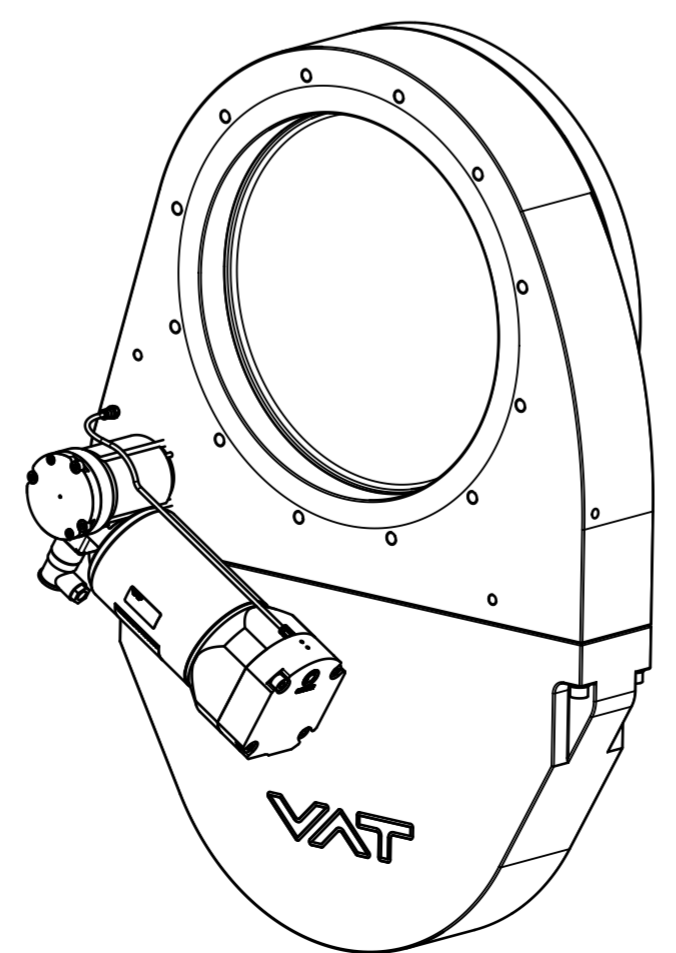
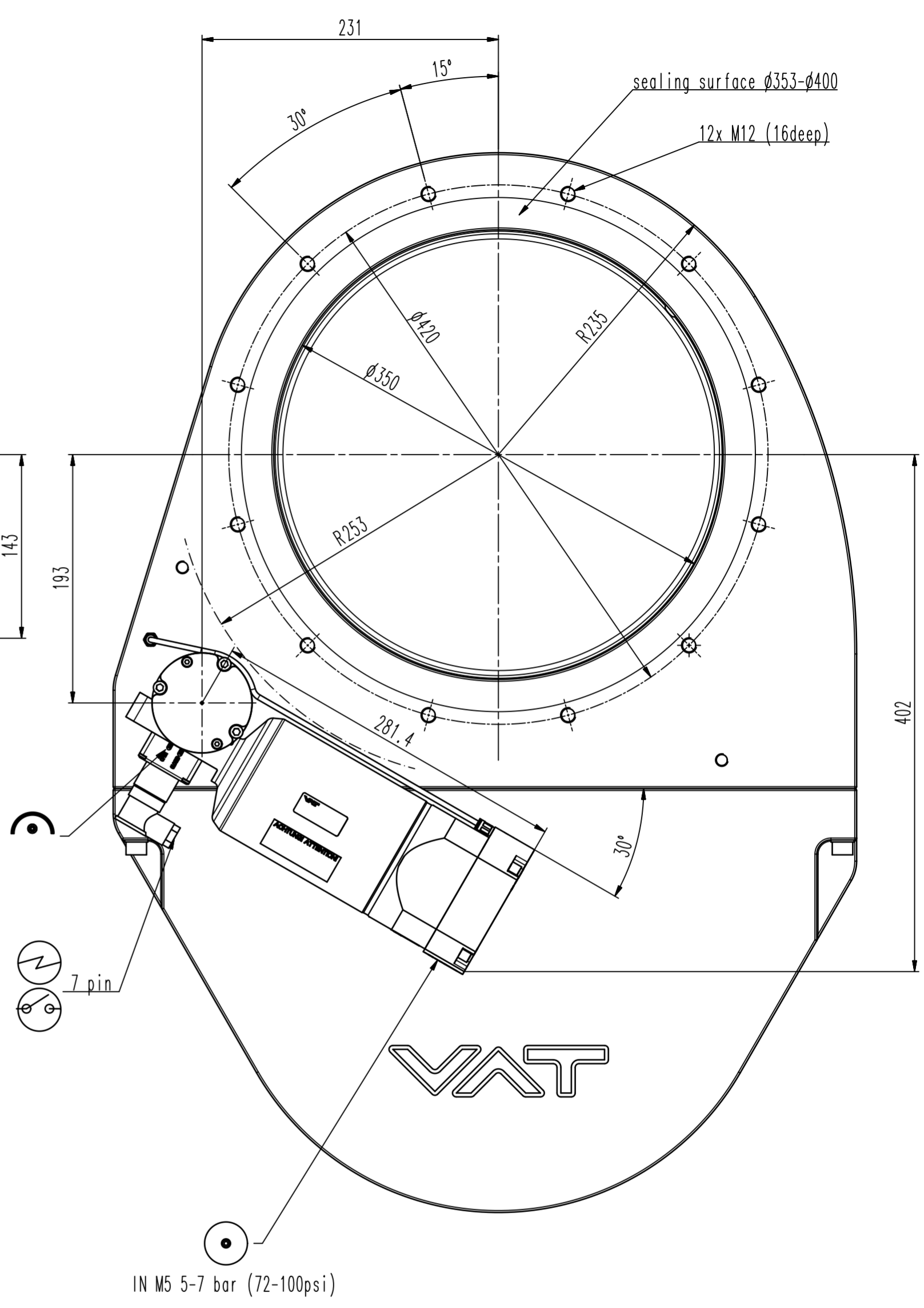
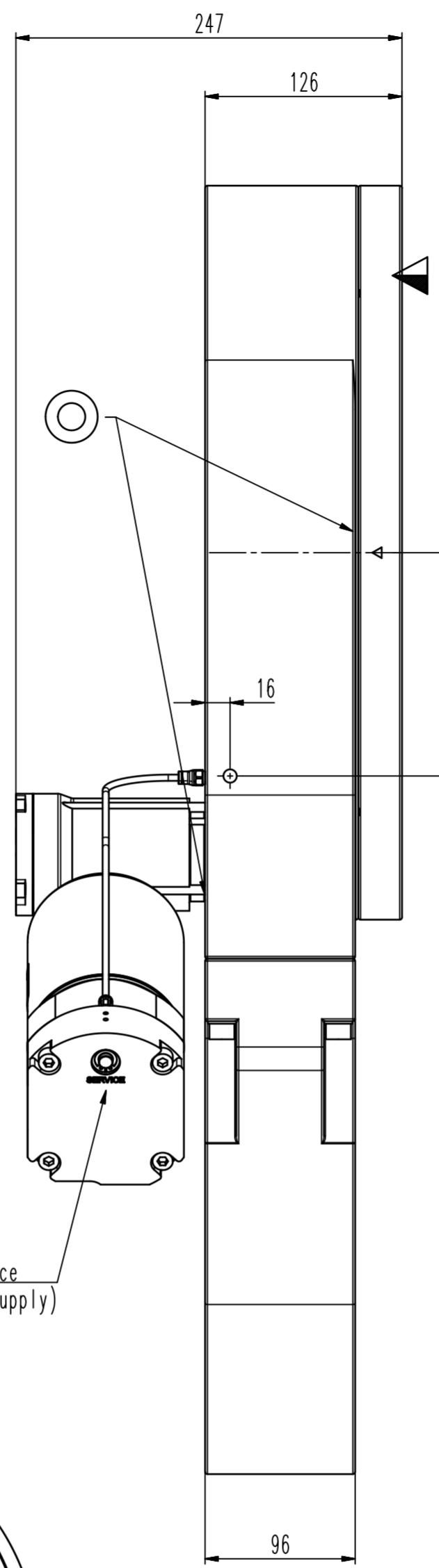
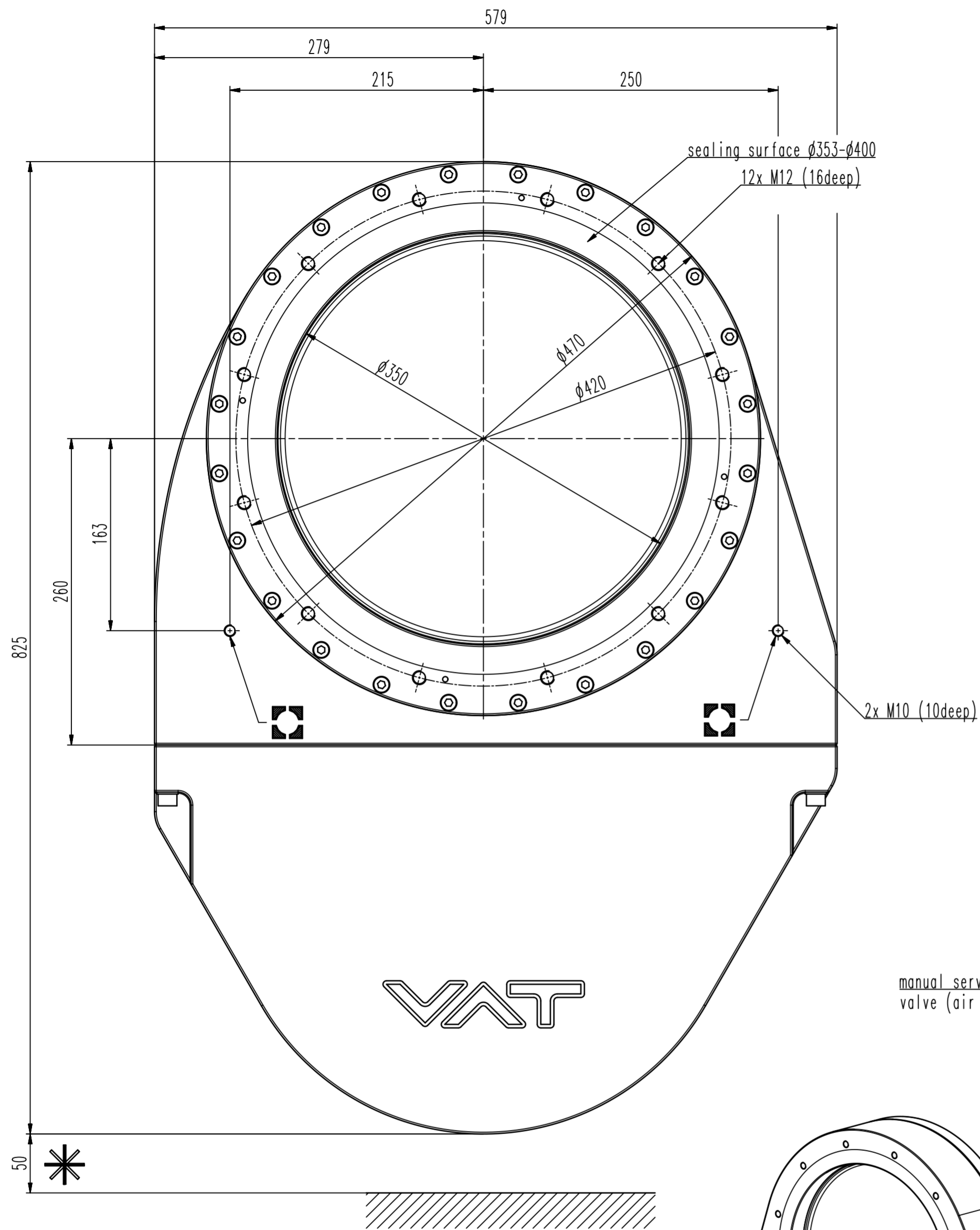


This drawing is the property of VAT.

Revision
Customer number



- ▼ Seat side
- ⊕ Comp. air connection
- ⊕ Electrical connection
- ⊕ Leak detection port
- ⊕ Mech. pos. indication
- ⊕ Position indicator
- ⊕ Required for dismantling
- ⊕ Emergency actuation
- ⊕ For attachment
- ⊕ Bake-out area
- ⊕ Differential pumping port

Pendulum valve



VAT Vakuumventile AG
CH-9469 Haag, Switzerland
Tel ++41 81 7716161 Fax ++41 81 7714830

Rev.-Date: 03.09.12
Visa: TRM

Series	162	Ordering No.	16251-JA21-0001
Projection E	DN	Flange	JIS
	350	Rev.	D
Dimensional Drawing	310912		