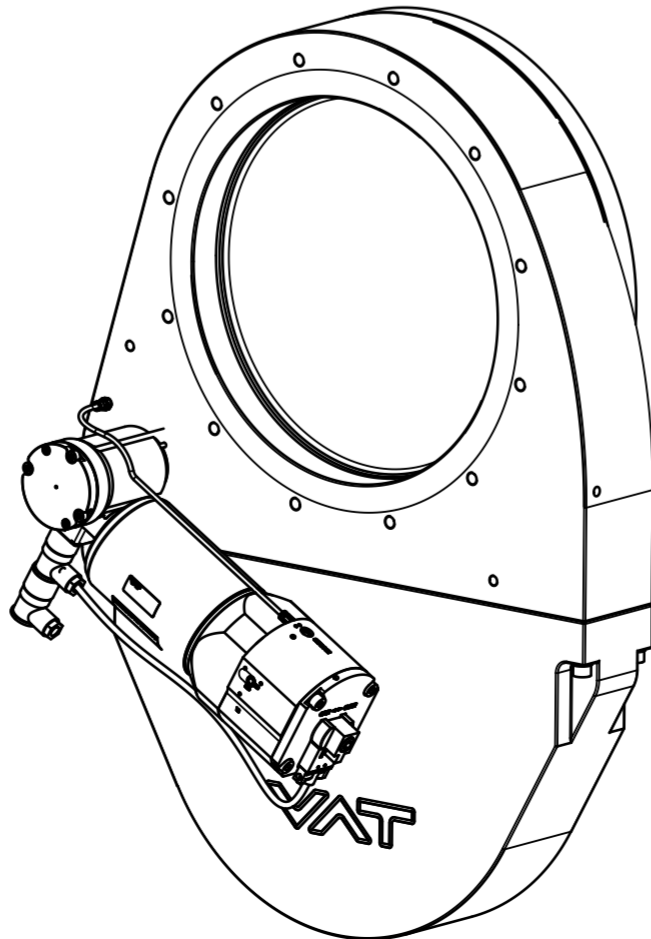
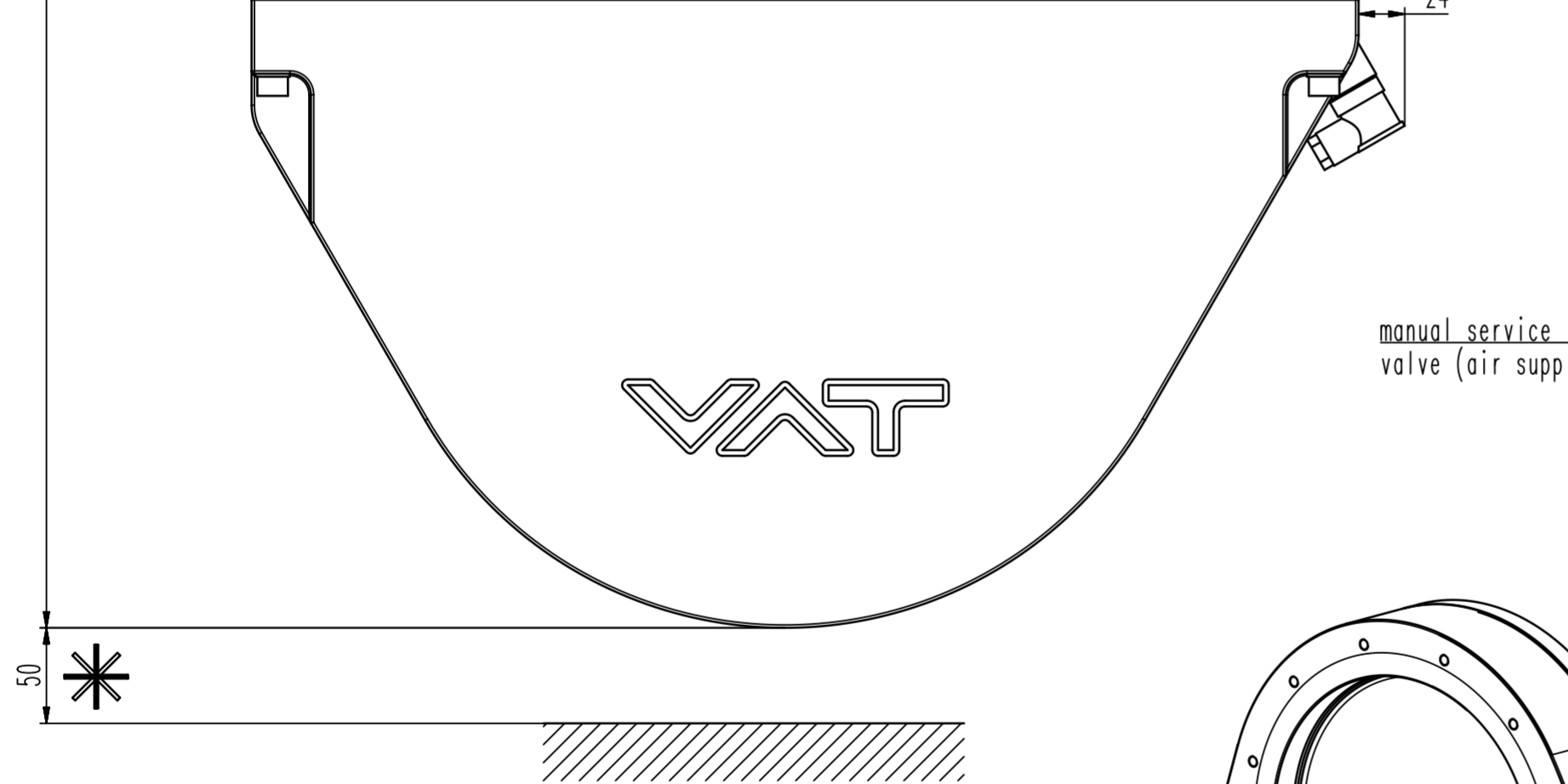
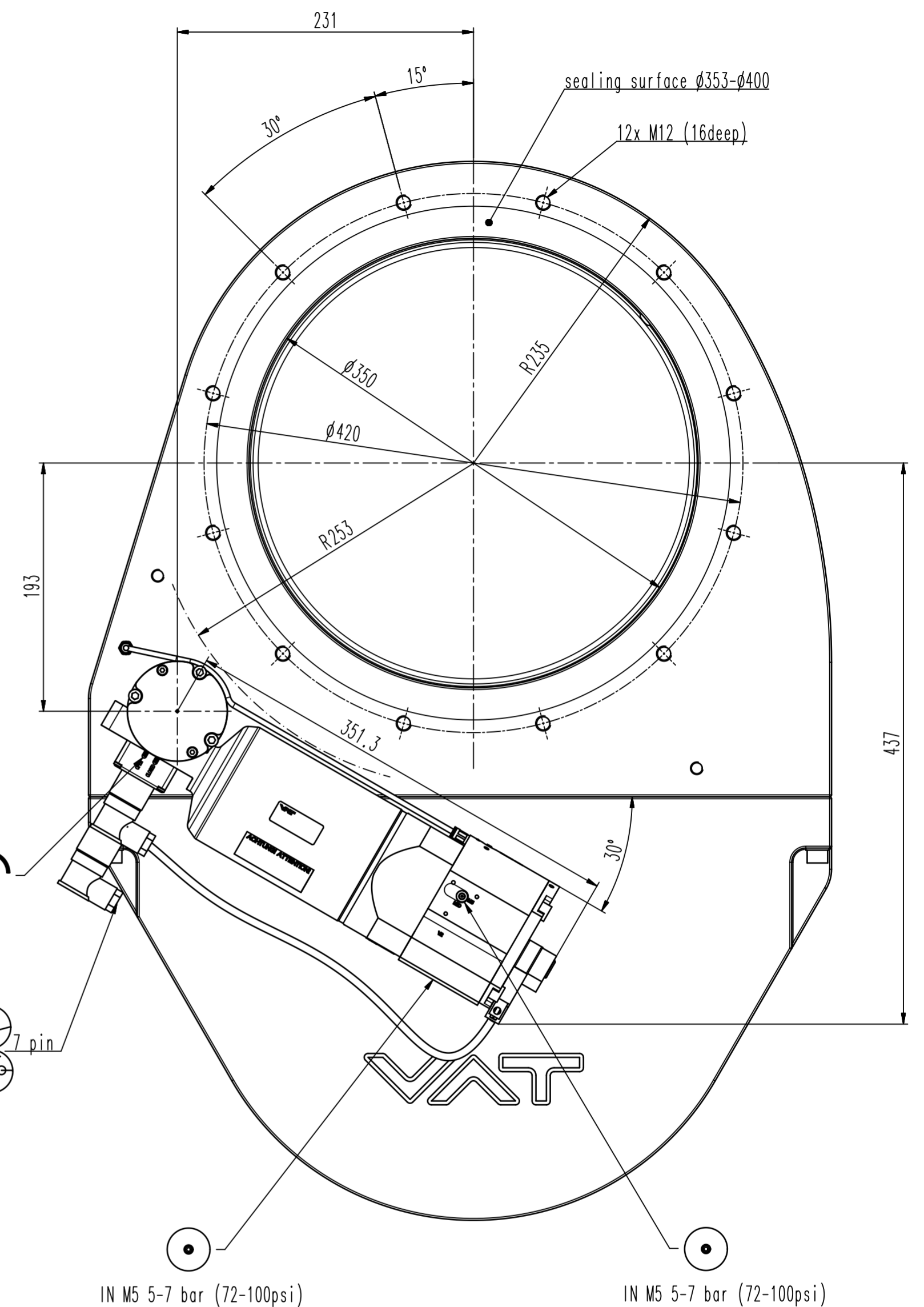
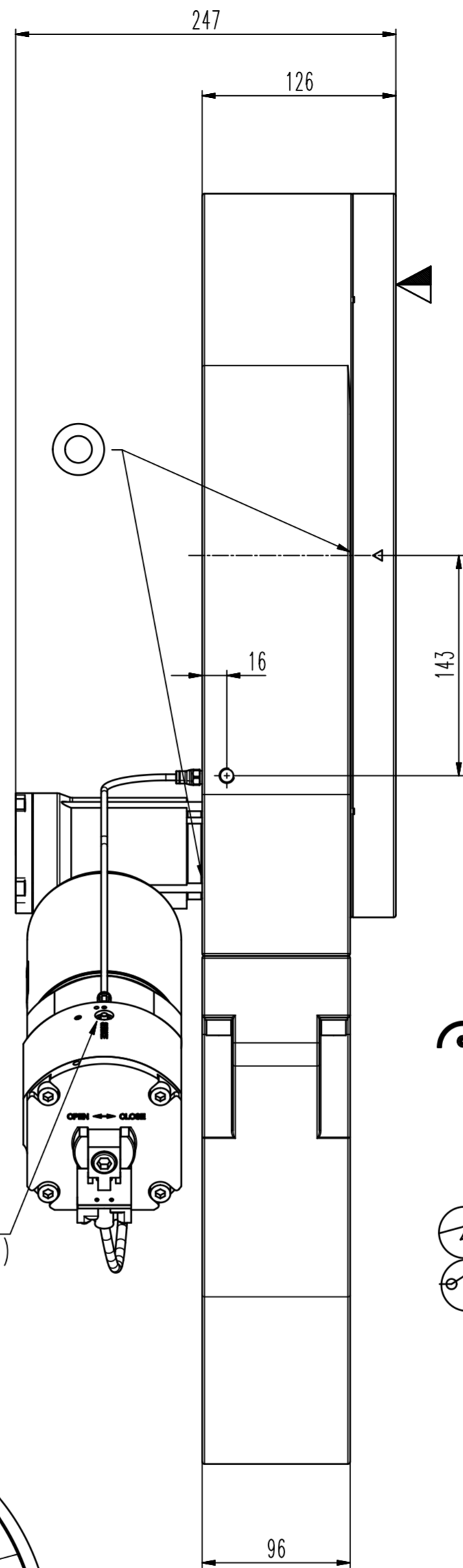
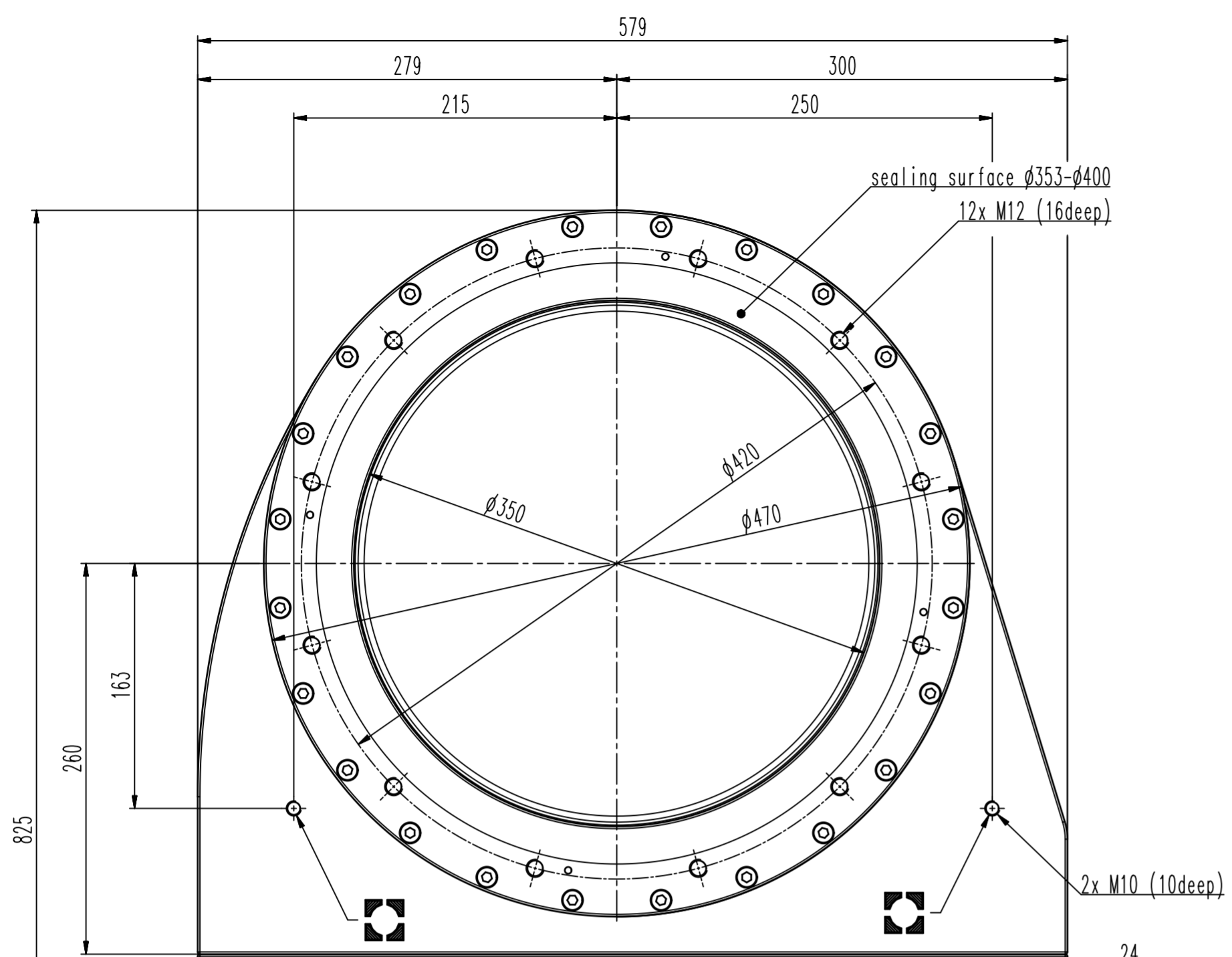


Revision
Customer number



- ▶ Seat side
- ◀ Comp. air connection
- ⊕ Electrical connection
- ⊖ Leak detection port
- ⊙ Mech. pos. indication
- ⊙ Position indicator
- ⊙ Required for dismantling
- ⊙ Emergency actuation
- ⊙ For attachment
- ⊙ Bake-out area
- ⊙ Differential pumping port

Pendulum valve



VAT Vakuumventile AG
CH-9469 Haag, Switzerland
Tel ++41 81 7716161 Fax ++41 81 7714830

Date: 23.04.07
Name: TRM

Series	162	Ordering No.	16251-JA28-0001
Projection E	DN	Flange	JIS
Dimensional Drawing	350	Rev.	A
			340949