

Installation, Operating & Maintenance Instructions



Pendulum valve with single acting pneumatic actuator and closing spring (NC)

Series 162
DN 63 – 550 mm (I. D. 2½" – 22")

This manual is valid for the following product ordering numbers:
162...-.....-.....



Sample picture

Imprint

Manufacturer VAT Vakuumventile AG, CH-9469 Haag, Switzerland

Website: www.vatvalve.com
Phone: +41 81 771 61 61
Fax: +41 81 771 48 30
Email: CH@vatvalve.com

Publisher VAT Vakuumventile AG, CH-9469 Haag, Switzerland

Editor VAT Vakuumventile AG, CH-9469 Haag, Switzerland

Print VAT Vakuumventile AG, CH-9469 Haag, Switzerland

Copyright © VAT Vakuumventile AG 2014

No part of these instructions may be reproduced in any way (photocopies, microfilms or any other reproduction processes) nor may it be manipulated with electronic systems, duplicated or distributed without written permission from VAT. Offenders are liable to pay damages.

The original VAT firmware and updated state of the art versions of the VAT firmware are intended for use with VAT products. The VAT firmware contains a limited, time unlimited user license. The VAT firmware may not be used for purposes other than those intended nor is it permitted to make copies of the VAT firmware. In particular, it is strictly forbidden to give copies of the VAT firmware to other people.

The use of trade names, brand names, trademarks, etc. in these Instructions does not entitle third parties to consider these names to be unprotected and to use them freely. This is in accordance with the meaning of the laws and acts covering brand names and trademarks.

Contents

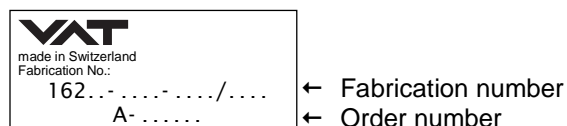
| | | |
|----------|---|-----------|
| 1 | Description of product..... | 5 |
| 1.1 | Identification of product..... | 5 |
| 1.2 | Use of product..... | 5 |
| 1.3 | Related documents..... | 5 |
| 1.4 | Important information..... | 5 |
| 1.5 | Technical data..... | 5 |
| 2 | Safety | 6 |
| 2.1 | Compulsory reading material..... | 6 |
| 2.2 | Danger levels | 6 |
| 2.3 | Personnel qualifications..... | 7 |
| 2.4 | Safety labels..... | 7 |
| 3 | Design and Function..... | 8 |
| 3.1 | Design..... | 8 |
| 3.2 | Function | 8 |
| 4 | Installation | 9 |
| 4.1 | Unpacking | 9 |
| 4.2 | Installation into the system..... | 9 |
| 4.2.1 | Admissible forces and bending moments | 11 |
| 4.3 | Compressed air connection | 12 |
| 4.4 | Electrical connection..... | 12 |
| 5 | Operation | 13 |
| 5.1 | Normal operation..... | 13 |
| 5.2 | Operation under increased temperature..... | 13 |
| 5.3 | Behavior in case of compressed air pressure drop..... | 13 |
| 5.4 | Behavior in case of power failure | 13 |
| 5.4.1 | Manual emergency operation..... | 14 |
| 5.5 | 3-position actuator (optional) | 15 |
| 5.5.1 | 3-position actuator control logic | 15 |
| 5.5.2 | Adjustment procedure of third position | 15 |
| 5.6 | Trouble shooting..... | 16 |
| 6 | Maintenance | 17 |
| 6.1 | Maintenance intervals..... | 17 |
| 6.2 | Lubrication specifications..... | 18 |
| 6.3 | Tightening torque specifications..... | 18 |
| 6.4 | Required tools | 18 |
| 6.5 | Replacement of valve gate unit..... | 18 |
| 7 | Repairs | 21 |
| 8 | Dismounting and Storage..... | 22 |
| 8.1 | Dismounting | 23 |
| 8.2 | Storage | 23 |

| | | |
|-----------|--------------------------------------|-----------|
| 9 | Packaging and Transport | 24 |
| 9.1 | Packaging | 25 |
| 9.2 | Transport | 25 |
| 10 | Disposal | 26 |
| 11 | Spare parts | 27 |
| 12 | Appendix | 28 |
| 12.1 | Assembly drawing | 28 |

1 Description of product

1.1 Identification of product

The fabrication number and order number are fixed on the product directly or by means of an identification plate.



1.2 Use of product

Use product for clean and dry vacuum applications only. Other applications are only allowed with the written permission of VAT.

1.3 Related documents

- Product data sheet
- Dimensional drawing

1.4 Important information



This symbol points to a very important statement that requires particular attention.

Example:



VAT disclaims any liability for damages resulting from inappropriate packaging.

1.5 Technical data

See product data sheet and dimensional drawing.

2 Safety

2.1 Compulsory reading material

Read this chapter prior to performing any work with or on the product. It contains important information that is significant for your own personal safety. This chapter must have been read and understood by all persons who perform any kind of work with or on the product during any stage of its serviceable life.

| | |
|--|--|
| | NOTICE |
| | <p>Lack of knowledge Failing to read this manual may result in property damage. Firstly, read manual.</p> |



These Installation, Operating & Maintenance Instructions are an integral part of a comprehensive documentation belonging to a complete technical system. They must be stored together with the other documentation and accessible for anybody who is authorized to work with the system at any time.

2.2 Danger levels



| | |
|--|---|
| | ⚠ DANGER |
| | <p>High risk Indicates a hazardous situation which, if not avoided, will result in death or serious injury.</p> |

| | |
|--|--|
| | ⚠ WARNING |
| | <p>Medium risk Indicates a hazardous situation which, if not avoided, could result in death or serious injury.</p> |

| | |
|--|--|
| | ⚠ CAUTION |
| | <p>Low risk Indicates a hazardous situation which, if not avoided, may result in minor or moderate injury.</p> |

| | |
|--|--|
| | NOTICE |
| | <p>Command Indicates a hazardous situation which, if not avoided, may result in property damage.</p> |

2.3 Personnel qualifications

| | |
|---|---|
|  |  WARNING |
| | <p>Unqualified personnel Inappropriate handling may cause serious injury or property damage. Only qualified personnel are allowed to carry out the described work.</p> |

2.4 Safety labels



| Label | Part No. | Location on valve |
|---|---------------------------|-------------------|
|  | T-9001-155 (DN 63 – 100) | Protective cover |
|  | T-9001-156 (DN 160 – 550) | Protective cover |

Table 2-1

3 Design and Function

3.1 Design

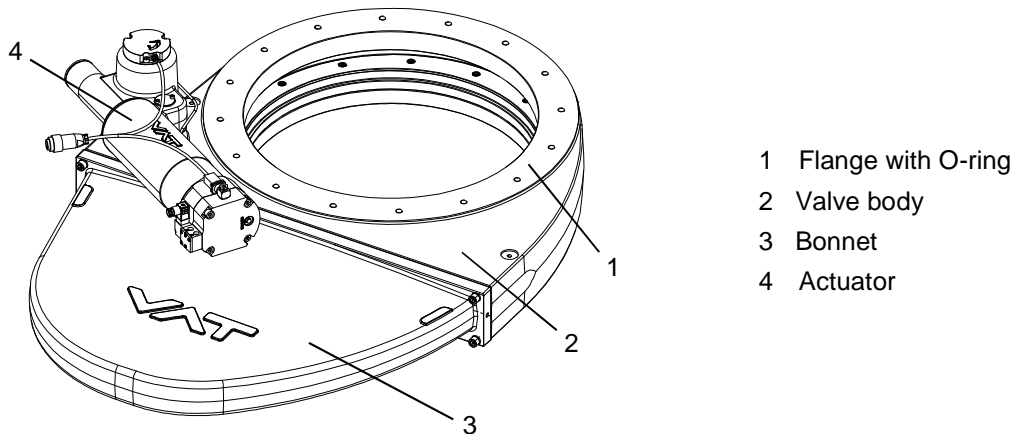


Figure 3-1

3.2 Function

When closing the pendulum valve the gate moves into the optically closed position, then the sealing ring moves towards the gate and seals the valve; see «Figure 3-2».

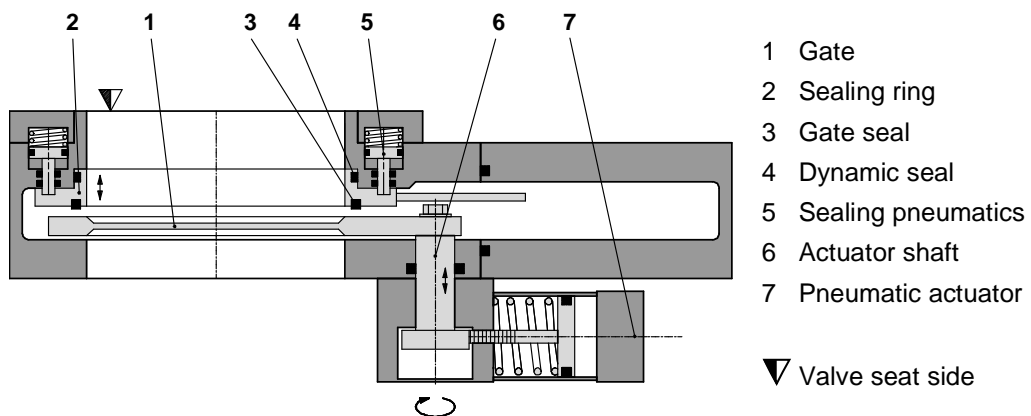



Figure 3-2

4 Installation

| | |
|---|---|
|  | ⚠ WARNING |
| | <p>Unqualified personnel Inappropriate handling may cause serious injury or property damage. Only qualified personnel are allowed to carry out the described work.</p> |

| | |
|---|---|
|  | ⚠ WARNING |
| | <p>Heavy weight Physical overstraining. Use a crane to lift the product.</p> |

4.1 Unpacking



- Make sure that the supplied products are in accordance with your order.
- Inspect the quality of the supplied products visually. If it does not meet your requirements, please contact VAT immediately.
- Store the original packaging material. It may be useful if products must be returned to VAT.





The valve can be lifted only at the eyebolt threats;
see dimensional drawing.



1. Lift valve carefully and put it down on a clean surface or mount it to a clean system.

4.2 Installation into the system

| | |
|---|--|
|  | ⚠ WARNING |
| | <p>Movable parts Human body parts may get jammed and severely injured. Do not connect or supply electrical power and compressed air before the product is completely mounted in the system.</p> |

| | |
|---|---|
|  | NOTICE |
| | <p>Contamination Product may get contaminated. Always wear cleanroom gloves when handling the product.</p> |

| NOTICE | |
|---------------|---|
| | <p>Inappropriate tools Sealing surfaces may get damaged. Do not use sharp-edged tools.</p> |

| NOTICE | |
|---------------|--|
| | <p>Wrong tightening torque Valve body and screws may get damaged. Use tightening torque according the size of the screws.</p> |

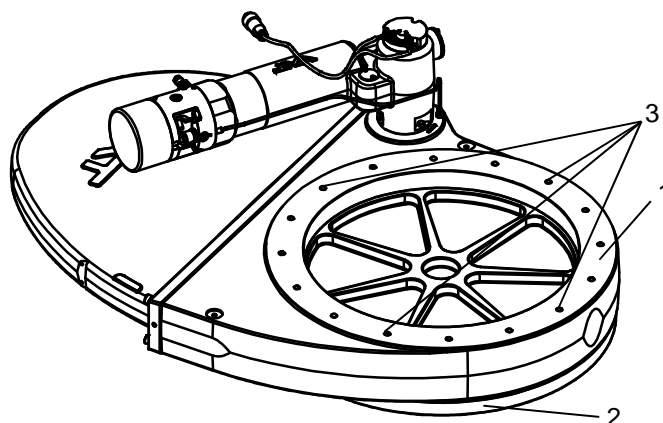
| NOTICE | |
|---------------|---|
| | <p>Too long screws Valve body may get deformed and / or malfunctions may occur. Make sure the length of the flange screws is suitable.</p> |

1. Remove protective covers from body flanges.
2. Clean sealing surfaces and seals of both flanges;
see (1) and (2) according to «Figure 4-1».



The valve seat side is marked with the symbol «∇» on flange «A».

3. Lift the valve to the mounting position.
4. Mount the four screws (3) according to «Figure 4-1», evenly in crosswise order until the seal touches the sealing surface.
5. Tighten all screws with the torques appropriate for their property classes.



- 1 Flange A
- 2 Flange B
- 3 Screws

Figure 4-1

4.2.1 Admissible forces and bending moments



Forces from evacuating the system, from the weight of other components or from baking can lead to deformation of the valve body and to malfunction of the valve. The stress has to be relieved by suitable means; see «Table 4-1» below.

The following forces or bending moments are admissible:

| DN (nom. I. D.) | | Axial tensile or compressive force «FA» | | Bending moment «M» | |
|-----------------|-------|---|------|--------------------|----------|
| mm | inch | N | lbf | Nm | lbf · ft |
| 63–100 | 2½–4 | 1000 | 220 | 40 | 30 |
| 160–200 | 6-8 | 2000 | 440 | 80 | 60 |
| 250 | 10 | 2500 | 550 | 100 | 75 |
| 320 | 12 | 3000 | 660 | 120 | 90 |
| 350 | 14 | 3500 | 770 | 140 | 105 |
| 400 | 16 | 4000 | 900 | 160 | 120 |
| 500–550 | 20–22 | 5000 | 1100 | 180 | 130 |

If a combination of both forces («FA» and «M») occurs, the values mentioned above are invalid. Please contact VAT for more information.

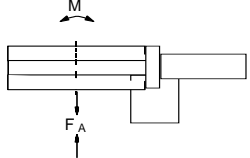


Table 4-1

4.3 Compressed air connection

| | |
|--|--|
| | WARNING |
| | <p>Valve in open position Risk of injury when compressed air is connected to the valve. Connect compressed air only when:</p> <ul style="list-style-type: none"> - valve is installed in the vacuum system - moving parts cannot be touched |

Use clean, dry or slightly oiled air only.

Admissible air pressure range, see product data sheet.

1. Connect compressed air according to the product data sheet and dimensional drawing.


4.4 Electrical connection

| | |
|--|--|
| | DANGER |
| | <p>Electric shock Parts being under voltage will result in serious injury or death. Do not touch parts being under voltage.</p> |

| | |
|--|---|
| | NOTICE |
| | <p>Wrong voltage Electrical components may get damaged. Supply electrical components with the correct voltage.</p> |

1. Connect solenoid valve according to the product data sheet and dimensional drawing.
2. Connect position indicator according to the product data sheet and dimensional drawing.
3. Connect heater (option) according to the product data sheet and dimensional drawing.

5 Operation

| | |
|---|--|
|  | ⚠ WARNING |
| | Unqualified personnel Inappropriate handling may cause serious injury or property damage. Only qualified personnel are allowed to carry out the described work. |

| | |
|---|--|
|  | ⚠ WARNING |
| | Movable parts Human body parts may get jammed and severely injured. Do not operate before product is installed completely into the vacuum system. |

5.1 Normal operation

Valve is opened pneumatically and closed by a spring (NC).

5.2 Operation under increased temperature

Maximum allowed temperature, see product data sheet.



5.3 Behavior in case of compressed air pressure drop

See product data sheet.

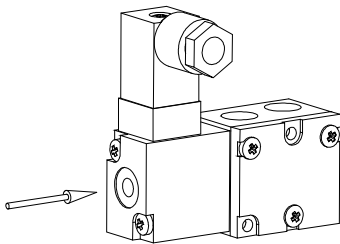
5.4 Behavior in case of power failure

See product data sheet.

5.4.1 Manual emergency operation

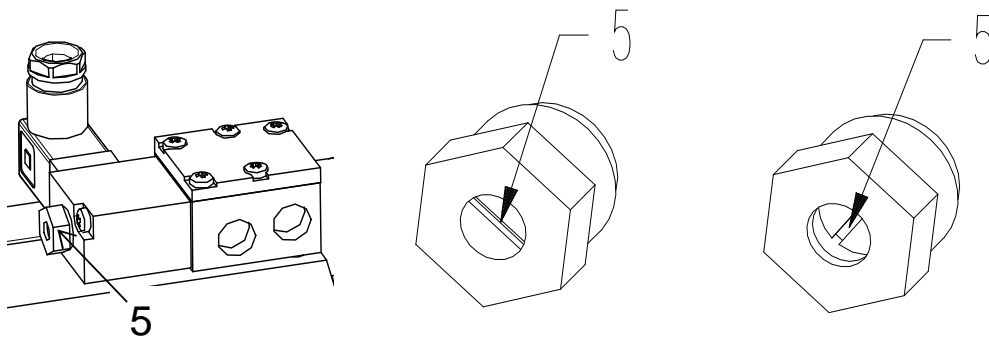
| | |
|---|--|
|  |  WARNING |
| | <p>Movable parts Human body parts may get jammed and severely injured. Keep human body parts away from movable parts.</p> |

Standard solenoid valve



Press push-button: valve opens
 Release push-button: valve closes

Solenoid valve with lockable emergency operation (option)



Standard solenoid valve with manual emergency operation (5) Solenoid valve in "NORMAL" position Solenoid valve in "MANUAL" position (push and turn 90°)

Figure 5-1

5.5 3-position actuator (optional)

5.5.1 3-position actuator control logic

Without solenoid valve

| Gate position | Air inlet port | | |
|---------------|----------------|--|-----|
| | OPEN | | MID |
| Open | + | | - |
| Intermediate | - | | + |
| Close | - | | - |

- + = Air pressure applied on specific port
 - = Air pressure not applied specific port

With solenoid valve

| Gate position | Solenoid | |
|---------------|----------|----|
| | V1 | V2 |
| Open | + | - |
| Intermediate | - | + |
| Close | - | - |

- + = Power on coil
 - = No power on coil

5.5.2 Adjustment procedure of third position

1. Remove complete air pressure supply from the gate valve actuator.
2. Unlock clamping screw (3).
3. Turn the adjustment screw (4) clockwise (closing direction) or counter-clockwise (opening direction) to adjust the third position.
4. Lock clamping screw (3).
5. Apply air-pressure according to chapter «5.5.1 3-position actuator control logic» to move the gate into the intermediate position. Repeat item 1 to 4 until required third position is adjusted.

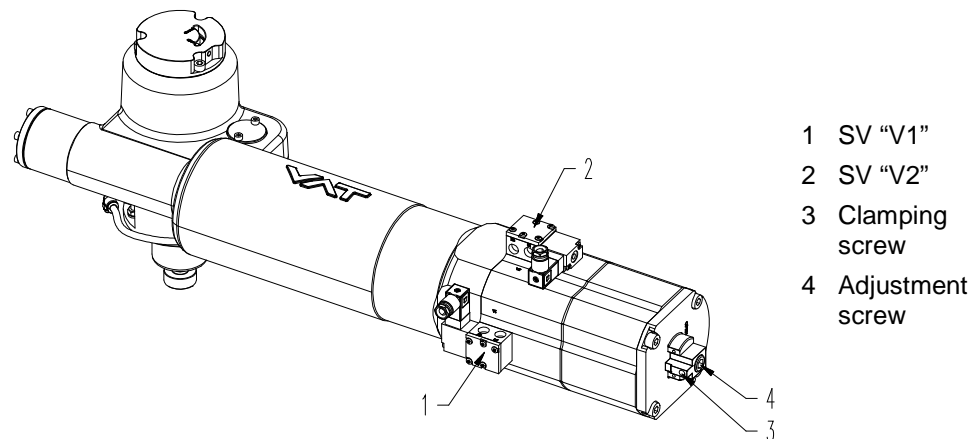


Figure 5-2





5.6 Trouble shooting

| Failure | Check | Action | See |
|-----------------------------|--|--|--------------------------------------|
| Valve does not close / open | Air pressure | Connect compressed air | «4.3 Compressed air connection» |
| | Operating pressure | Adjust operating pressure | Product data sheet |
| | Voltage at solenoid valve | Connect voltage | «4.4 Electrical connection» |
| Leak at gate | Gate seal all right? | Replace valve gate | «6.5 Replacement of valve gate unit» |
| | Gate damaged or contaminated? | Replace valve gate | «6.5 Replacement of valve gate unit» |
| | Operating pressure | Adjust operating pressure | Product data sheet |
| Leak at body | Bonnet seal and sealing surface all right? | Clean sealing surface, if necessary, replace bonnet seal | «6.5 Replacement of valve gate unit» |

Table 5-1

If you need any further information, please contact one of our service centers. You will find the addresses on our website www.vatvalve.com.

6 Maintenance

| | |
|---|---|
|  | <p style="text-align: center;">⚠ WARNING</p> <p>Unqualified personnel Inappropriate handling may cause serious injury or property damage. Only qualified personnel are allowed to carry out the described work.</p> |
|  | <p style="text-align: center;">⚠ WARNING</p> <p>Heavy weight Physical overstraining. Use a crane to lift the valve insert.</p> |
|  | <p style="text-align: center;">⚠ WARNING</p> <p>Hazardous components Human body parts may get jammed and severely injured. Before starting maintenance: – disconnect compressed air supply – disconnect electrical power supply</p> |
|  | <p style="text-align: center;">⚠ WARNING</p> <p>Movable parts Human body parts may get jammed and severely injured. Keep human body parts away from movable parts.</p> |

6.1 Maintenance intervals

Under clean operating conditions the valve does not require any maintenance during the specified cycles; see product data sheet. After these cycles, VAT recommends replacing the mechanism unit; see chapter «6.5 Replacement of valve gate unit».

For more information or a general overhaul please contact one of our service centers. You will find the addresses on our website www.vatvalve.com.

6.2 Lubrication specifications

| Location | Description | Amount of vacuum grease [ml / gram] | | | | |
|----------|-----------------------------|-------------------------------------|------------|------------|-----------|------------|
| | | DN 63–100 | DN 160 | DN 200–250 | DN 320 | DN 350–550 |
| L1 | Lubrication of dynamic seal | 0.1 / 0.2 | 0.15 / 0.3 | 0.2 / 0.4 | 0.3 / 0.6 | 0.4 / 0.8 |
| L2 | Lubrication of bonnet seal | 0.05 / 0.1 | 0.05 / 0.1 | 0.1 / 0.2 | 0.1 / 0.2 | 0.1 / 0.2 |

Table 6-1

6.3 Tightening torque specifications

| Location | Description | Torque [Nm / Lbf · ft] | | | | |
|----------|------------------------------------|------------------------|---------|---------|-------------|------------|
| | | DN 63–100 | DN 160 | DN 200 | DN 250 | DN 320–550 |
| T1 | Tightening torque of bonnet screws | 6 / 4.4 | 6 / 4.4 | 6 / 4.4 | 14.5 / 10.7 | 16 / 11.8 |

Table 6-2

6.4 Required tools

- Torque wrench according «Table 6-2»
- Cleanroom wiper soaked with alcohol (2% methyl ethyl ketone)
- O-Ring removal tool; see «Table 11-1» on page 27

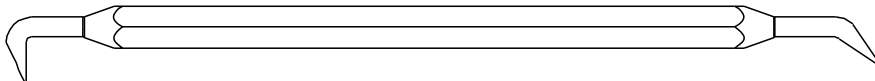



Figure 6-1

6.5 Replacement of valve gate unit

| | |
|--|---|
| | NOTICE |
| | <p>Contamination Product may get contaminated. Always wear cleanroom gloves when handling the product.</p> |

| NOTICE | |
|---|---|
|  | <p>Inappropriate tools Sealing surfaces may get damaged. Do not use sharp-edged tools.</p> |

Numbers in brackets refer to the drawings in chapter «12.1 Assembly drawing».



Pay attention! Remove the bonnet (19) only if the valve is in closed position.

1. Vent the chamber on either side to atmosphere pressure.
2. Close the valve (valve require 5 – 7 bar compressed air).
3. Remove the bonnet screws (15).
4. Remove the bonnet carefully (19).
5. Place the bonnet (19) on a clean and flat surface.



Be sure that compressed air is applied to the in port of the solenoid valve.

6. Open the valve with the emergency button from solenoid valve; see chapter «5.4.1 Manual emergency operation».



Pendulum gate (1) swing out, step back from the valve.

7. Remove the gate fixation screw (17).
8. Pull out the gate (1) from the actuator shaft (20).
9. Place the gate (1) on a clean surface.

Push the service button during this step; see «Figure 12-1» on page 28 and unlock the sealing ring (2) by moving / turning into the “Unlock” position.
10. Remove the sealing ring (2) from the valve body (18).
11. Place the sealing ring (2) on a clean surface.
12. Remove the gate seal (7) and the dynamic seal (3) from the sealing ring (2); use O-ring removal tool.
13. Clean the sealing ring (2), the dynamic seal (3) and the gate seal (7); use cleanroom wiper.
14. Replace the gate seal (7) and / or the dynamic seal (3) of the sealing ring (2) if necessary.

15. Uniformly lubricate the dynamic seal (3) with the amount of grease specified in chapter «6.2 Lubrication specifications»; lubrication location L1.
16. Install the dynamic seal (3) on the sealing ring (2).
17. Install the gate seal (7) into the sealing ring (2).
18. Clean the gate (1) especially the sealing surfaces of the gate; use cleanroom wiper.
19. Clean the valve body (18) and especially sealing surfaces of the dynamic seal (3) of the valve body (18); use cleanroom wiper.



Do not directly expose the rotary feedthrough or the piston feedthroughs to an air stream. Hazard of grease contamination of the valve.

20. Insert the sealing ring (2) into the valve body (18).

Push the service button during this step; see «Figure 12-1» on page 28 and lock the sealing ring (2) by moving / turning into the “Lock” position.
21. Locate the gate (1) on the actuator shaft (20) below the alignment piece (16).
22. Push the gate (1) into the direction of the actuator axis to the hard stop.
23. Fasten the gate fixation screw (17) according the type of the screw.
24. Close the valve with the emergency button from solenoid valve; see «5.4.1 Manual emergency operation».



Swinging pendulum gate, step back from the valve.

25. Remove the bonnet seal (10) with an O-ring removal tool from the bonnet (19).
26. Clean the bonnet seal (10) with cleanroom wiper or replace the bonnet seal (10) if necessary.
27. Clean the bonnet O-ring groove with cleanroom wiper.
28. Uniformly lubricate the bonnet seal (10) with the amount of grease specified in chapter «6.2 Lubrication specifications»; lubrication location L2.
29. Install the lubricated bonnet seal (10).
30. Clean the bonnet sealing surface at the valve body (18); use cleanroom wiper.
31. Install the bonnet (19).
32. Fasten the bonnet screws (15) with the appropriate torque specified in chapter «6.3 Tightening torque specifications»; location T1.

Valve is ready for use.








7 Repairs


Repairs may only be carried out by the VAT service staff. In exceptional cases, the customer is allowed to carry out the repairs, but only with the prior consent of VAT.

Please contact one of our service centers. You will find the addresses on our website www.vatvalve.com.

8 Dismounting and Storage


| | |
|---|--|
|  | <p style="text-align: center;">⚠ WARNING</p> <p>Unqualified personnel Inappropriate handling may cause serious injury or property damage. Only qualified personnel are allowed to carry out the described work.</p> |
|  | <p style="text-align: center;">⚠ WARNING</p> <p>Heavy weight Physical overstraining. Use a crane to lift the product.</p> |
|  | <p style="text-align: center;">⚠ WARNING</p> <p>Hazardous components Human body parts may get jammed and severely injured. Before dismounting the product</p> <ul style="list-style-type: none"> – disconnect compressed air supply – disconnect electrical power supply |
|  | <p style="text-align: center;">⚠ WARNING</p> <p>Movable parts Human body parts may get jammed and severely injured. Keep human body parts away from movable parts.</p> |
|  | <p style="text-align: center;">NOTICE</p> <p>Contamination Product may get contaminated. Always wear cleanroom gloves when handling the product.</p> |

8.1 Dismounting

| | |
|---|--|
|  | NOTICE |
| | <p>Valve in open position Valve mechanism may get damaged if valve is in open position. Close valve before dismounting the valve from the system.</p> |

1. Close valve.
2. Carry out the steps according to chapter «4 Installation» in reverse order.
Pay attention to the safety instructions!





8.2 Storage

| | |
|---|--|
|  | NOTICE |
| | <p>Wrong storage Inappropriate temperatures and humidity may cause damage to the product. Valve must be stored at: – relative humidity between 10% and 70% – temperature between +10 °C and +50 °C – non-condensing environment</p> |

| | |
|---|---|
|  | NOTICE |
| | <p>Inappropriate packaging Product may get damaged if inappropriate packaging material is used. Always use the original packaging material and handle product with care.</p> |

1. Clean / decontaminate valve.
2. Cover all valve openings with a protective foil.
3. Pack valve appropriately, by using the original packaging material.


9 Packaging and Transport

| | |
|---|---|
|  | <p style="text-align: center;">⚠ WARNING</p> <p>Unqualified personnel Inappropriate handling may cause serious injury or property damage. Only qualified personnel are allowed to carry out the described work.</p> |
|  | <p style="text-align: center;">⚠ WARNING</p> <p>Heavy weight Physical overstraining. Use a crane to lift the product.</p> |
|  | <p style="text-align: center;">⚠ WARNING</p> <p>Harmful substances Risk of injury in case of contact with harmful substances. Remove harmful substances (e. g. toxic, caustic or microbiological ones) from valve before you return the valve to VAT.</p> |
|  | <p style="text-align: center;">NOTICE</p> <p>Inappropriate packaging Product may get damaged if inappropriate packaging material is used. Always use the original packaging material and handle product with care.</p> |



- When returning products to VAT, please fill out the VAT form «Declaration of Chemical Contamination» and send it to VAT in advance. The form can be downloaded from our website www.vatvalve.com.
- If products are radioactively contaminated, the VAT form «Contamination and Radiation Report» must be filled out. Please contact VAT in advance.
- If products are sent to VAT in contaminated condition, VAT will carry out the decontamination procedure at the customer's expense.

9.1 Packaging


| NOTICE | |
|---|--|
|  | <p>Valve in open position Valve mechanism may get damaged if valve is in open position. Make sure that the valve is closed.</p> |

1. Cover all valve openings with a protective foil.
2. Pack valve appropriately, by using the original packaging material.



VAT disclaims any liability for damages resulting from inappropriate packaging.


9.2 Transport

| NOTICE | |
|---|---|
|  | <p>Inappropriate packaging Product may get damaged if inappropriate packaging material is used. Always use the original packaging material and handle product with care.</p> |



VAT disclaims any liability for damages resulting from inappropriate packaging.

10 Disposal

| | | |
|---|--|--|
|  | ⚠ WARNING | |
| | Harmful substances | |
| | Environmental pollution. | |
| | Discard products and parts according to the local regulations. | |

11 Spare parts

| NOTICE | |
|---|--|
|  | <p>Non-original spare parts Non-original spare parts may cause damage to the product. Use original spare parts from VAT only.</p> |



- Please specify the fabrication number of the product when you place an order for spare parts; see chapter «1.1 Identification of product». This is to ensure that the appropriate spare parts are supplied.
- VAT makes a difference between spare parts that may be replaced by the customer and those that need to be replaced by the VAT service staff.
- «Table 11-1» only contains spare parts that may be replaced by the customer. If you need any other spare parts, please contact one of our service centers. You will find the addresses on our website www.vatvalve.com.

| Description | Part No. | Quantity per valve | Maintenance procedure see chapter |
|-------------------------------|------------|--------------------|-----------------------------------|
| Bonnet seal | on request | 1 | «6.5 Replacement of valve gate» |
| Gate seal /counter-plate seal | on request | 2 | «6.5 Replacement of valve gate» |
| O-ring removal tool | 234859 | 1 | «6.5 Replacement of valve gate» |

Table 11-1

12 Appendix

12.1 Assembly drawing

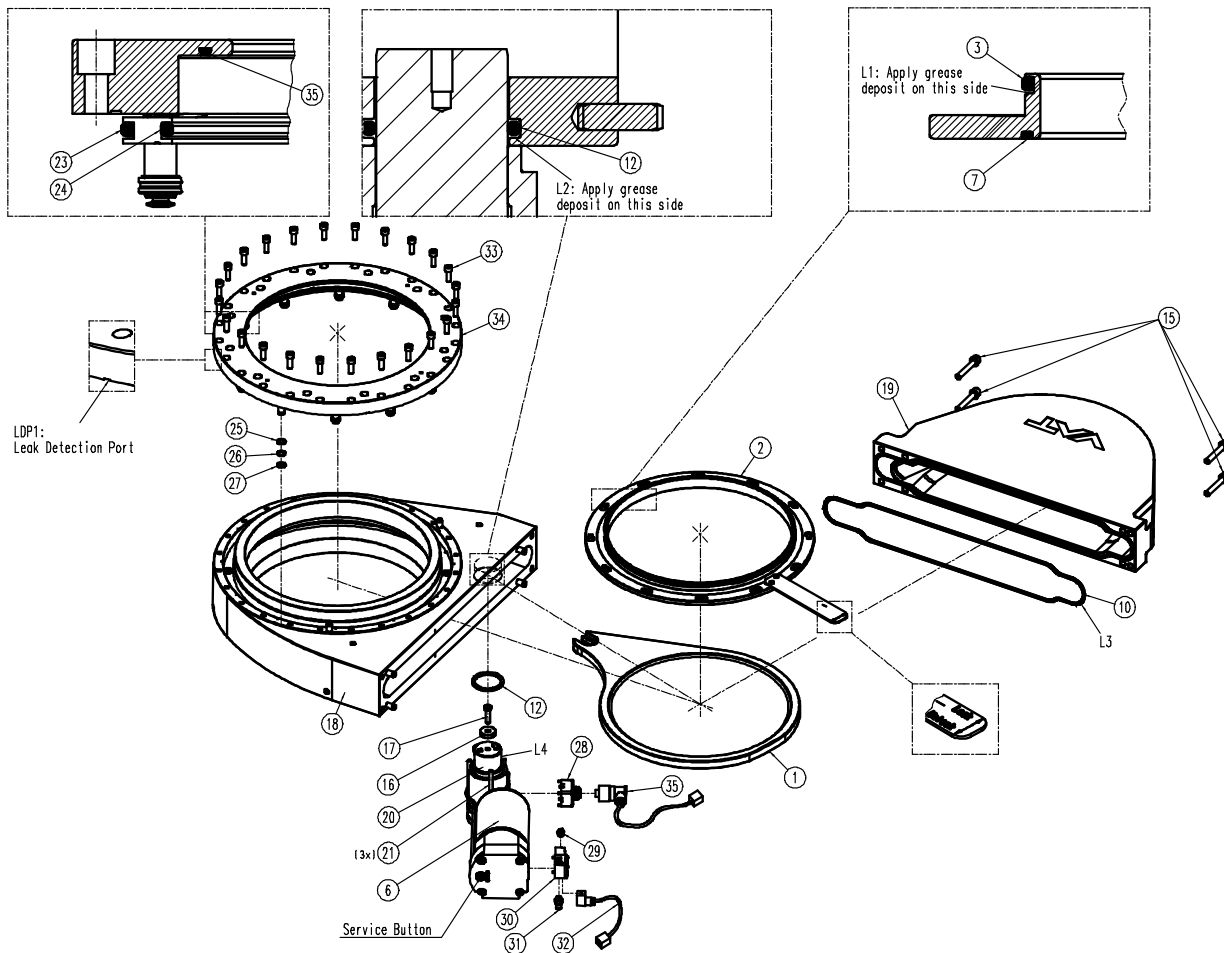


Figure 12-1

| Item | Description |
|------|--------------|
| 1 | Gate |
| 2 | Sealing ring |
| 3 | Dynamic seal |
| 6 | Actuator |
| 7 | Gate seal |
| 10 | Bonnet seal |

| Item | Description |
|------|-------------------------|
| 12 | Rotary feedthrough seal |
| 15 | Bonnet screws |
| 16 | Alignment piece |
| 17 | Gate fixation screw |
| 18 | Valve body |
| 19 | Bonnet |

| Item | Description |
|------|----------------------|
| 20 | Actuator shaft |
| 21 | Actuator fix. screws |

