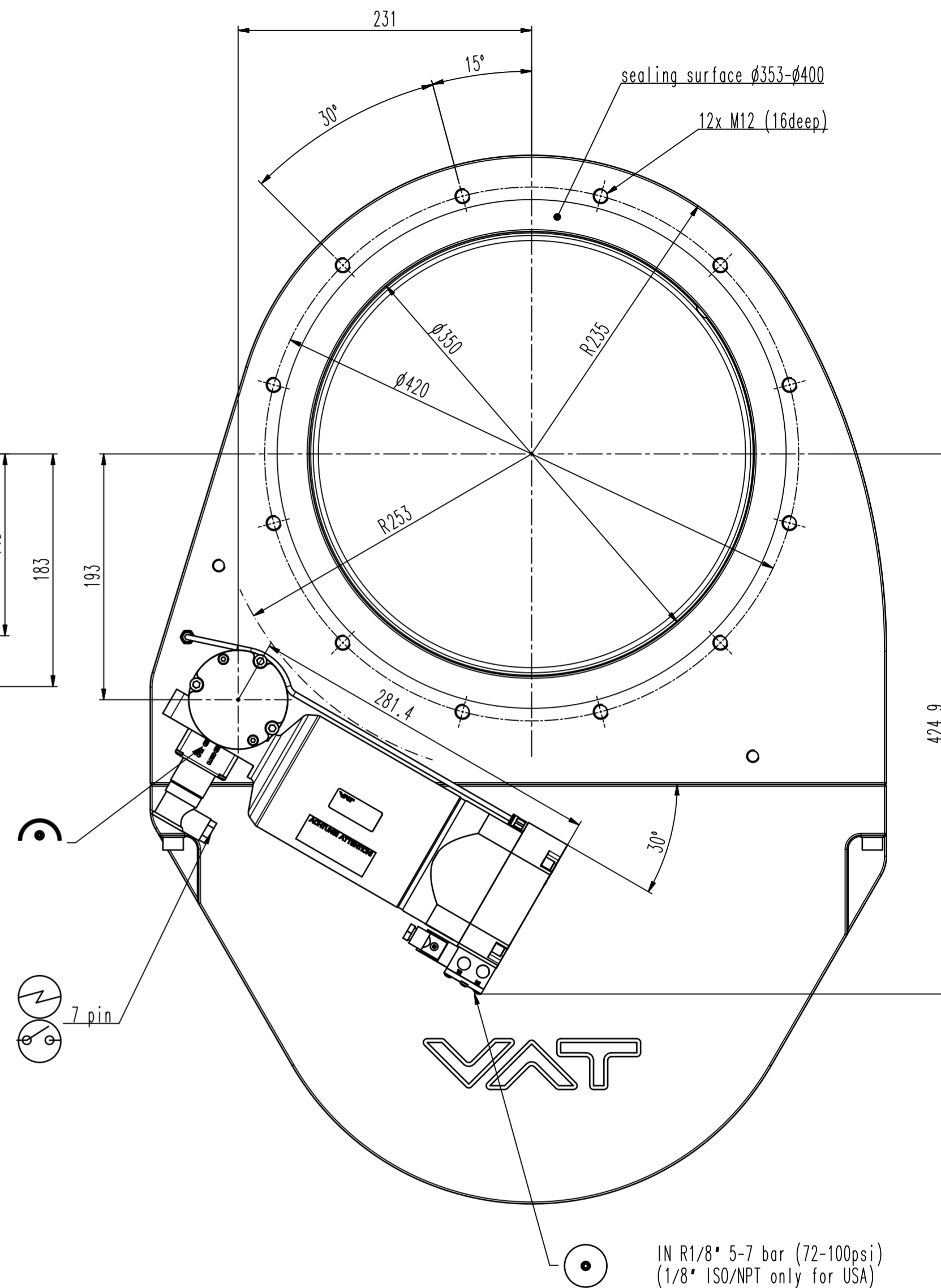
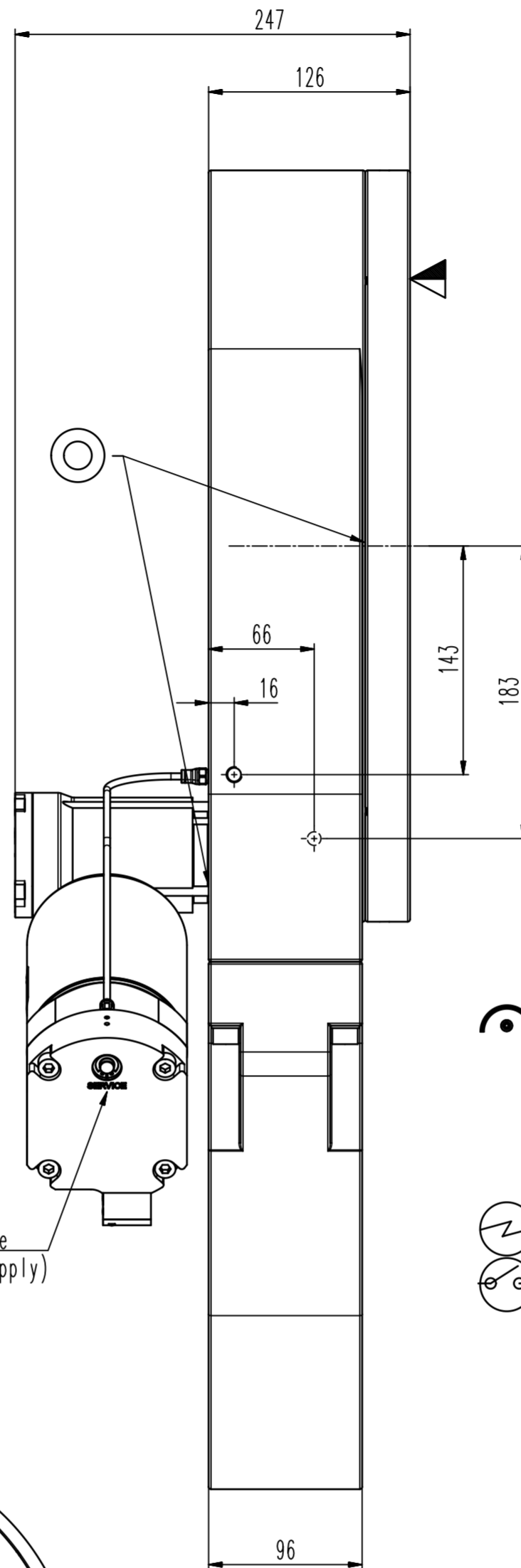
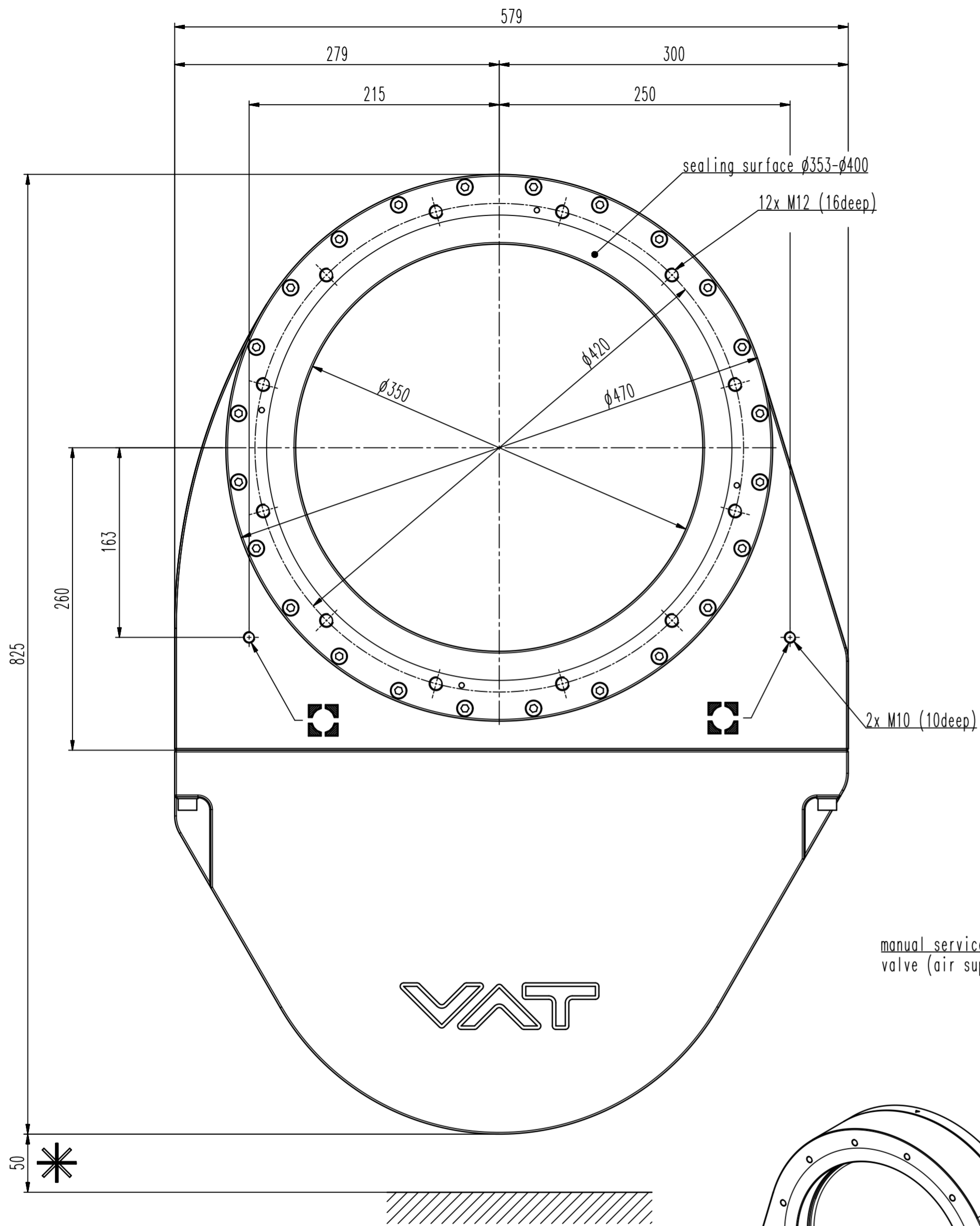


This drawing is the property of VAT.

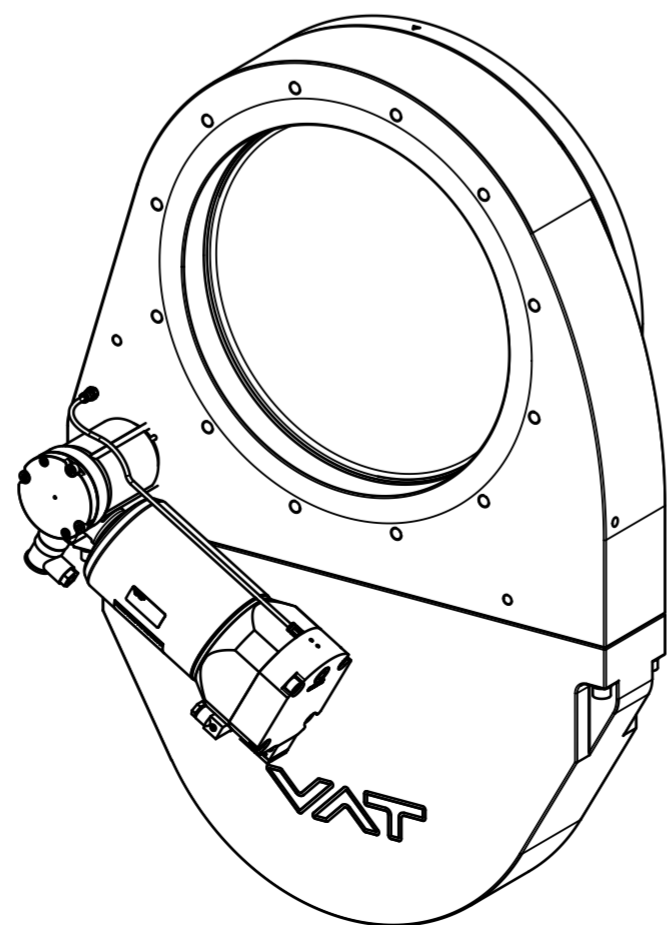


IN R1/8" 5-7 bar (72-100psi)
(1/8" ISO/NPT only for USA)

Revision

Customer number

50 *



- ◀ Seat side
- ⊕ Comp. air connection
- ⊖ Electrical connection
- ⊙ Leak detection port
- ⊚ Mech. pos. indication
- ⊛ Position indicator
- ⊜ Required for dismantling
- ⊝ Emergency actuation
- ⊞ For attachment
- ⊟ Bake-out area
- ⊠ Differential pumping port

Pendulum valve



VAT Vakuumventile AG
CH-9469 Haag, Switzerland
Tel ++41 81 7716161 Fax ++41 81 7714830

Date: 23.01.08
Name: TRM

Series	162	Ordering No.	16251-JA41-0001
Projection E	DN	Flange	JIS
Dimensional Drawing	350	Rev.	A
			362343