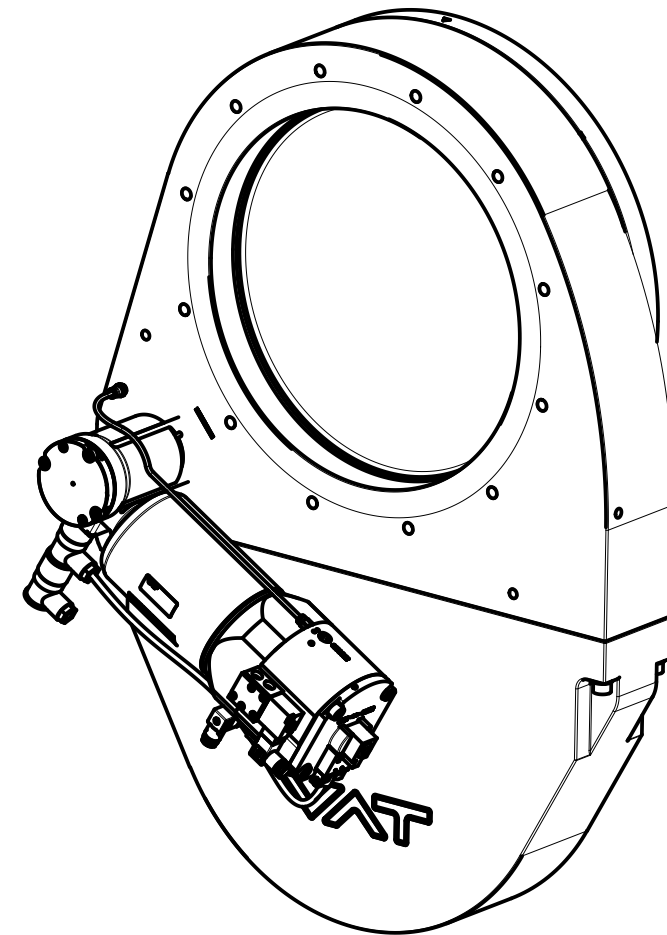
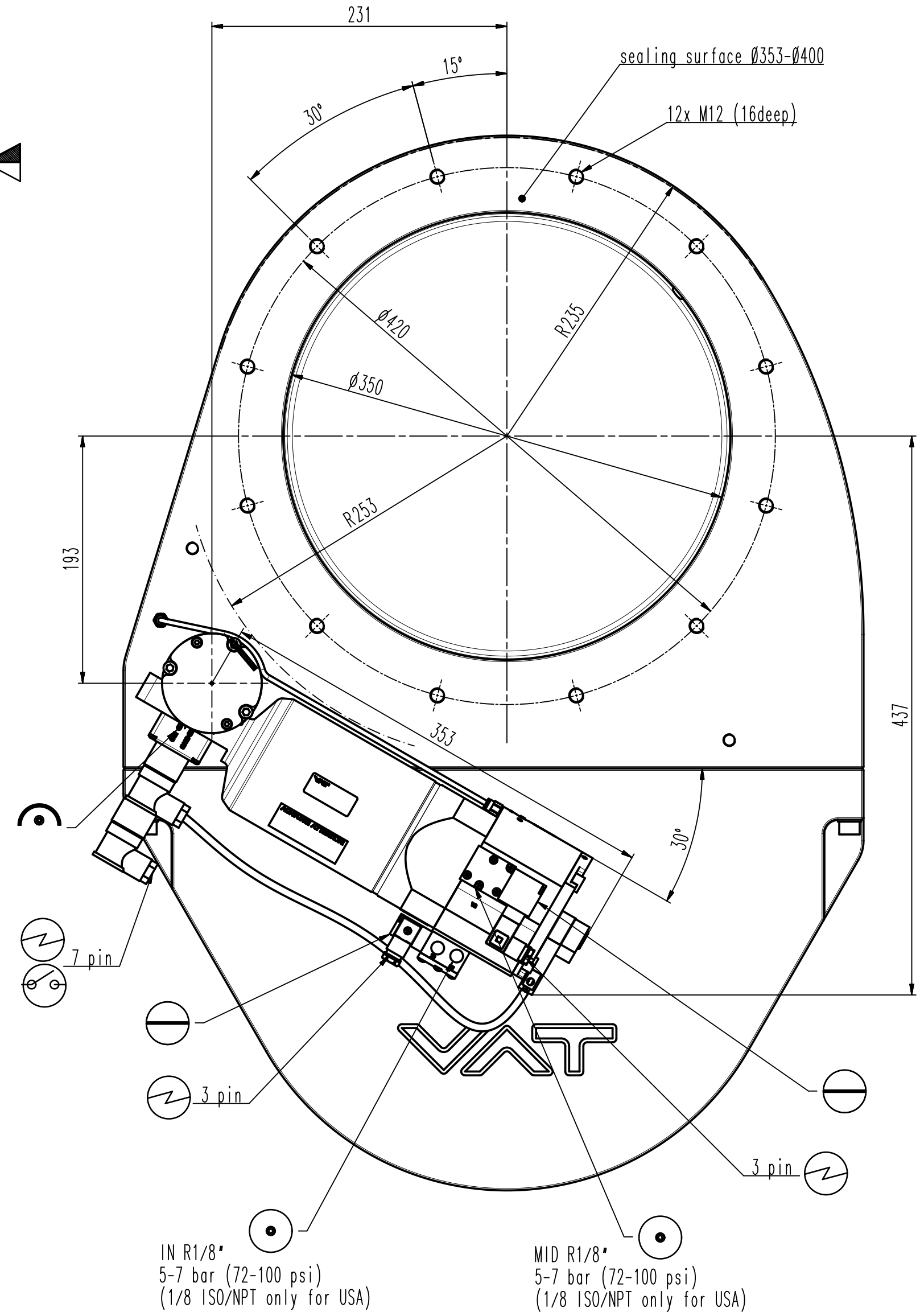
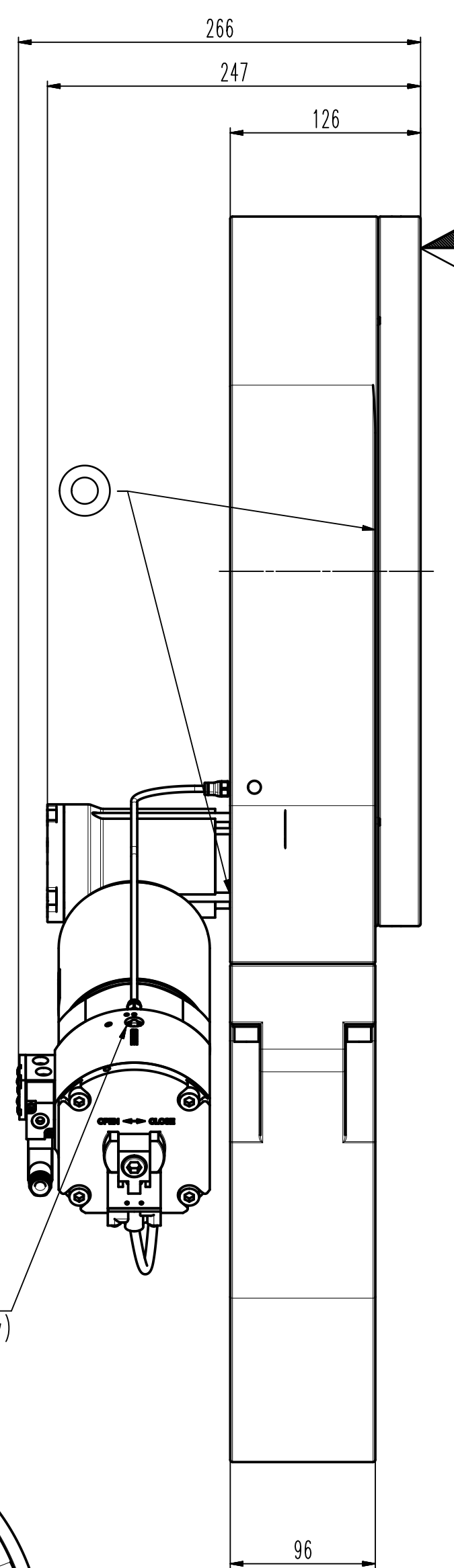
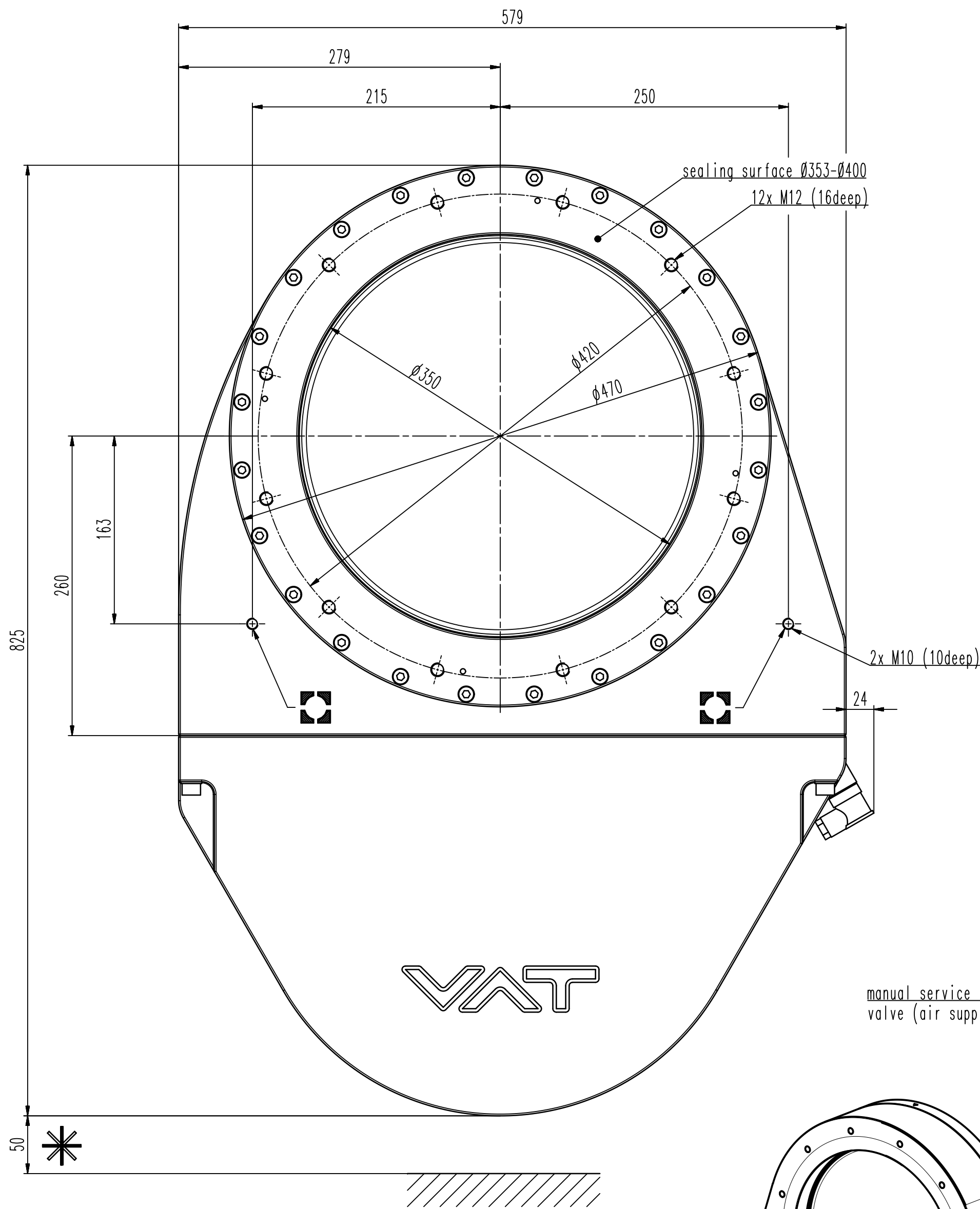


This drawing is the property of VAT.

Revision

Customer number



- ▶ Seat side
- ⊕ Comp. air connection
- ⊖ Electrical connection
- ⊙ Leak detection port
- ⊙ Mech. pos. indication
- ⊙ Position indicator
- ⊙ Position indicator
- ⊙ Required for dismantling
- ⊙ Emergency actuation
- ⊙ For attachment
- ⊙ Bake-out area
- ⊙ Differential pumping port

Pendulum valve



VAT Vakuumventile AG
CH-9469 Haag, Switzerland
Tel ++41 81 7716161 Fax ++41 81 7714830

Rev.-Date: 12.11.07
Visa: DOC

Series	162	Ordering No.	16251-JA48-0001
Projection E	DN	Flange	JIS
Dimensional Drawing	350	Rev.	356258